

Model NO.	LSP400212001	Model Name	LED Power Supply
Part NO.	PLSP400212001	SIZE	132.5 * 58 * 37 mm 【5.22 * 2.28 * 1.46 inch】



**FEATURES**

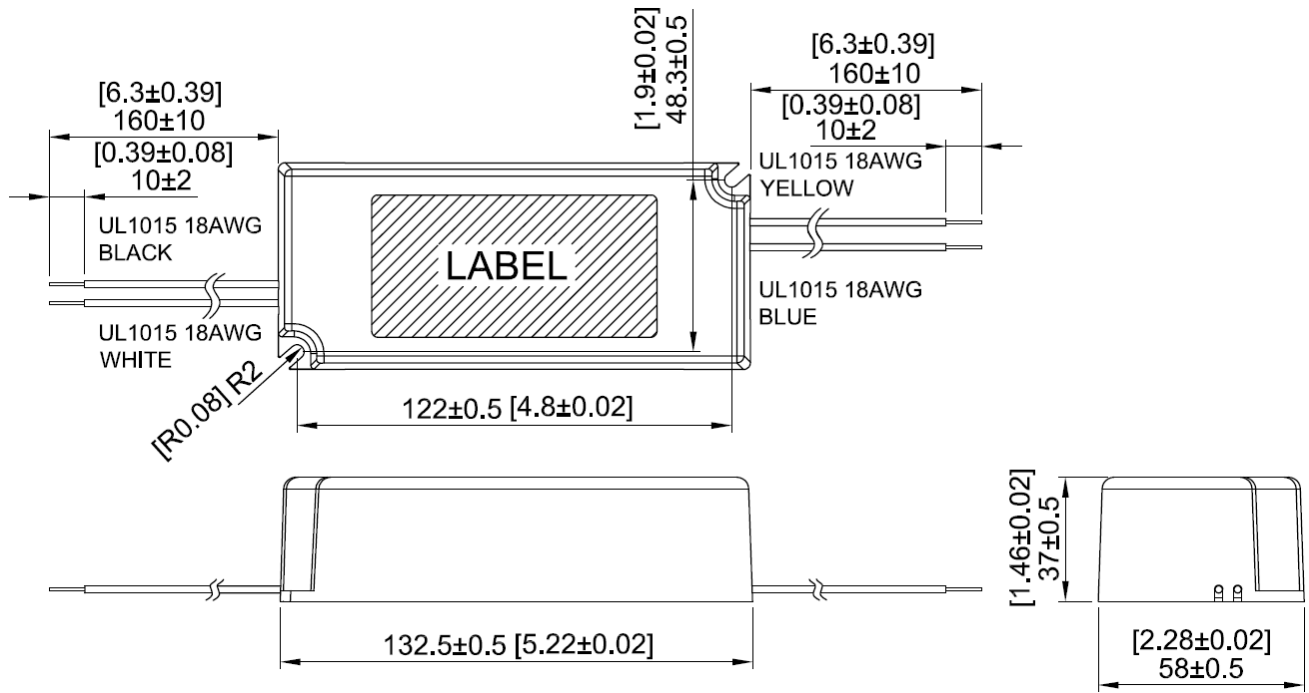
- ◆ AC Input 90~264Vac
- ◆ Protection: SCP / OVP / OCP
- ◆ High Operating ambient Temp: -20℃ ~ +60℃
- ◆ Safety: UL / PSE
- ◆ EMC: CE
- ◆ Comply with Indoor/Outdoor Waterproof (IP 67)
- ◆ Dimension (L\*W\*H): 132.5 \* 58 \* 37 mm
- ◆ Dimension (L\*W\*H): 5.22 \* 2.28 \* 1.46 inch
- ◆ ROHS Compliant

Module : LSP400212001		*,# =SEE NOTES BELOW		
*(9)	SPECIFICATION	MODEL LSP400212001		
		min.	norm.	max.
	DC OUTPUT VOLTAGE (V)	8		12
*	PRESET ACCURACY (%) *(8)		3	
*	OUTPUT CURRENT(A) *(5)			3.4
*	O/P NOISE (P-P, mV) *(3)			120
*	LINE REGULATION (%) *(7)		1	
*	LOAD REGULATION (%) *(6)		1	
	DC OUTPUT POWER	40.8 W		
	EFFICIENCY(typ @Full Load)	80% at 100Vac/50Hz		
	INPUT VOLTAGE RANGE	90-264VAC, 127-373VDC, Normal : 100-240VAC		
	INPUT FREQUENCY	Range:47-63Hz, Normal : 50-60Hz		
	INRUSH CURRENT (typ)	COLD START 50A @ 230VAC		
	AC CURRENT	1A/100VAC		
	LEAKAGE CURRENT	<0.7mA/240VAC		
	SHORT CIRCUIT PROTECTION	short circuit protection will restart automatically after the fault condition is removed		
	OVER CURRENT PROTECTION	Constant Current		
	OVER V, PROTECTION	Shut down and latch off o/p voltage , re-power on to recover		
*	OPERATING TEMP. *(4)	-20 to +60℃ @full load		
	STORAGE TEMPERATURE	-40 to +80℃		
	RELATIVE HUMIDITY	10 to +90%, non-cond.		
	TEMP. COEFFICIENT	0.03% / °C (0-50℃, typ)		
	SAFETY	UL 1310 / PSE		
	EMI	CE EN55022		
	DIMENSIONS(L*W*H)	132.5 * 58 * 37 mm 【5.22 * 2.28 * 1.46 inch】		

NOTES : (1)All parameters not specially mentioned are measured 230VAC input.  
 (2)All specifications Typical @25℃, unless otherwise noted, at normal line and load.  
 (3)Ripple and Noise measured directly at pins/terminals at nom. load, 0.1uF bypass and 47uF electrolytic, pk-pk @20MHz bandwidth.  
 (4)Specified for free-air convection cooling.  
 (5)Minimum load is NOT required for proper operation .  
 (6)Load regulation measured from 20% to Full load.  
 (7)Line regulation measured from 100VAC to 240VAC.  
 (8)Preset accuracy measured at normal load, 120VAC input.  
 (9)100% Production Tested.

Model NO.	LSP400212001	Model Name	LED Power Supply
Part NO.	PLSP400212001	SIZE	132.5 * 58 * 37 mm 【5.22 * 2.28 * 1.46 inch】

**Dimensions**



Unit : mm 【inch】

※Reference

[www.linkcom.com.tw](http://www.linkcom.com.tw) For more information, please contact with :sales@linkcom.com.tw