

20-3110 A

SAFETY STANDARDS COMPLIANCE:

CE EN 50082-1
UL1310, CLASS 2

EMI STANDARDS:
FCC 47 CFR PART 15 CLASS A

SAFETY CERTIFICATIONS

UL E234571

INPUT RANGE: AC 115/230V, Full Range.
100 - 240 VAC, 1.0 A @ FULL LOAD.

FREQUENCY: 47 - 63 Hz.

EFFICIENCY: 80 % Typ.

PEAK INRUSH:

40 AMPS @ 115V AC
20 AMPS @ 230V AC

LOAD CAPACITY: 50 WATTS

OUTPUT	MIN	MAX	LOAD REG	MAX. RIP
+24V	0.3 AMPS	1.2 AMPS	+3%/-3%	240mV p/p
+15V	0.0 AMPS	0.8 AMPS	+3%/-3%	200mV p/p
CONSTANT CURRENT MODE				
1.2A	14.0 VOLTS	23.0 VOLTS	+5%/-0%	

PROTECTION:

BOTH OUTPUTS (+15V & +24V)

- 1.- OVP: 120% TO 150%
- 2.- OPP: 120% TO 150%
- 3.- SHORT CIRCUIT PROTECTION

+24V OUTPUT ONLY

- 1.- UVP: 13.5V TYP.

NOTE: ALL PROTECTION SHALL AUTO RECOVER UPON THE REMOVE OF FAULT CONDITION.

COOLING: CONVECTION

NOISE LEVEL: 0 dB

RELIABILITY (MTBF): (MIL-HDBK-217E)

100,000 HRS. @ 25 DEG. C @ FULL LOAD

ENVIRONMENTAL CONDITIONS:

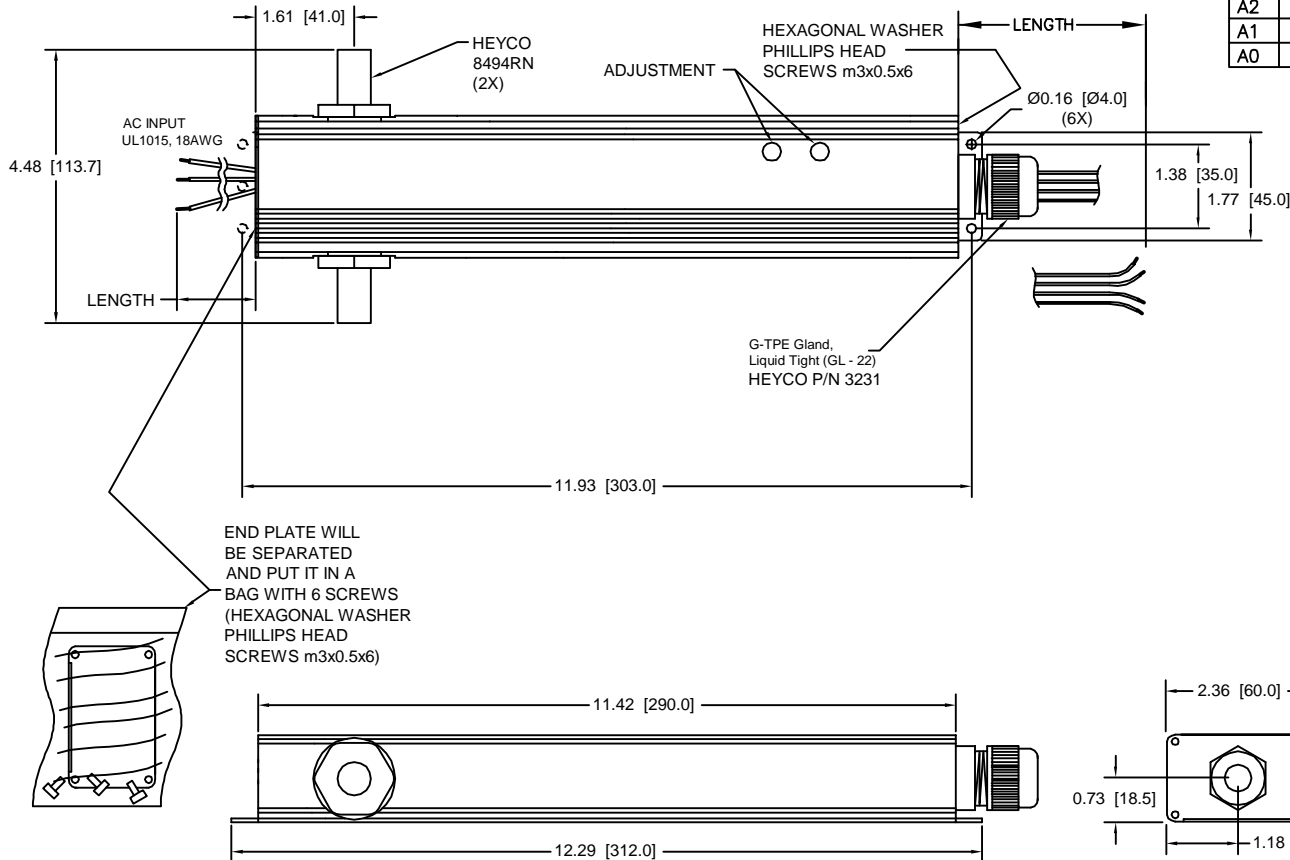
OPERATING TEMPERATURE: -10 ~ 50°C
RELATIVE HUMIDITY: 5 ~ 95%

CONNECTOR:

SAFETY

INPUT

MISCELLANEOUS OUTPUT



REVISIONS		
REV	DESCRIPTION	DATE
A3	CHANGED PER DCO C03-006	10/31/2003
A2	CHANGED PER DCO C03-004	7/16/2003
A1	CHANGED PER DCO C03-002	4/11/2003
A0	RELEASE TO PRODUCTION	3/4/2003

CON	PIN	COLOR	OUTPUT	AWG	LENGTH
AC IN	---	BLACK	LINE	18	3.4 [85] ±1.0 [±25]
	---	WHITE	NEUTRAL	18	
	---	GRN/YEL	AC GND	18	
DC OUT	---	YELLOW	+15V	20	3.9 [100] ±1.0 [±25]
	---	BLACK	GND	20	
	---	GRAY	+24V	20	
---	BLACK	GND	20		

MANUFACTURED BY: HIGH PERFECTION TECHNOLOGY CO., LTD. CN-0122

THIS ITEM IS THE PROPERTY OF MAGTECH INDUSTRIES AND CONTAINS PROPRIETARY CONFIDENTIAL AND TRADE SECRET INFORMATION. THE INFORMATION CONTAINED HEREIN MUST NOT BE USED, DISCLOSED OR REPRODUCED IN WHOLE OR IN PART WITHOUT PRIOR WRITTEN CONSENT FROM MAGTECH IND.

UNLESS OTHERWISE SPECIFIED DIMENSIONS IN INCHES [MM] TOLERANCES: .X DECIMALS± .05 [1.3] .XX DECIMALS± .02 [0.5] .XXX DECIMALS± .005 [0.13] ANGLES± 1° FRACTIONS± 1/16 DO NOT SCALE THIS DRAWING INTERPRET DRAWING PER ANSI Y14.5M	APPROVAL DATE	11/5/2003
	EFFECTIVE DATE	10/31/2003
	CHECKED BY	
	APPROVED BY	



TITLE: LP2046-BG, STD

MODEL NO. LP2046-BG-290	DWG NO. M20-3110	REV. A.3	SH OF 1 1
----------------------------	---------------------	----------	--------------