

**92**mm sq.

# San Ace 92

25mm thick (GA type), 25mm thick (S type)  
 25mm thick, 25mm thick (San Cooler)  
 32mm thick (G type), 38mm thick (GA type)  
 38mm thick (GV type), 38mm thick (G type)



## General Specifications

- Material ..... Frame: Plastics (Flammability: UL94V-0),  
Impeller: Plastics (Flammability: UL94V-1)
- Expected Life ..... Refer to specifications (L10:Survival rate:90% at 60°C ,  
rated voltage, and continuously run in a free air state)
- Lead Wire ..... ⊕red ⊖black (Sensor) yellow
- Storage Temperature ..... -30°C to +70°C (Non-condensing)

**92×92×25mm** (Mass : 100g) **S type** **Silent Fan**

## Specifications

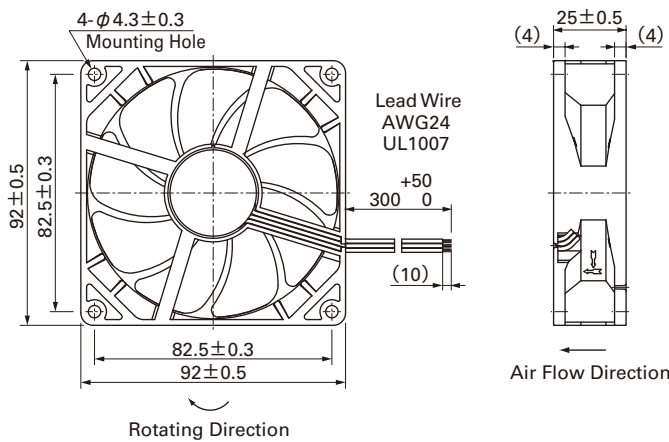
The following nos. **have pulse sensors and ribs.** For ribless, append "1" to the model no.

Model No.	Rated Voltage [V]	Operating Voltage Range [V]	Rated Current [A]	Rated Input [W]	Rated Speed [min <sup>-1</sup> ]	Max. Air Flow [m <sup>3</sup> /min] [CFM]	Max. Static Pressure [Pa] [inchH <sub>2</sub> O]	SPL [dB(A)]	Operating Temperature [°C]	Expected Life [h]
9S0912F401	12	5.0 to 13.8	0.14	1.68	2,650	1.26	44.5	30.0	- 10 to +70	40,000
9S0912M401			0.11	1.32	2,250	1.07	37.8	21.6		
9S0912L401		0.07	0.84	1,750	0.83	29.3	13.1			
9S0924F401	24	14 to 26.4	0.09	2.16	2,650	1.26	44.5	30.0		
9S0924M401			0.07	1.68	2,250	1.07	37.8	21.6		
9S0924L401			0.04	0.96	1,750	0.83	29.3	13.1		

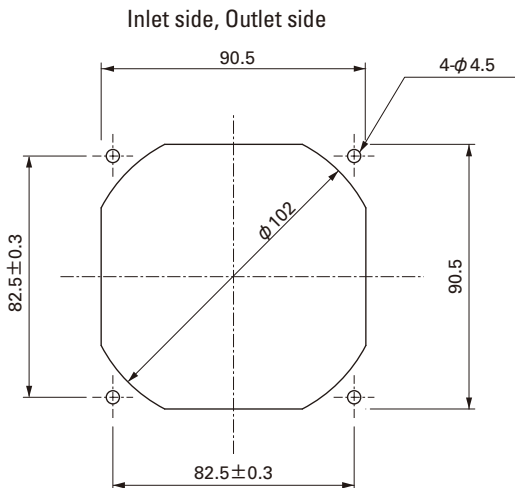
Available options: ⇒ **Without Sensor**

Please inquire as the availability of these functions depend on the model. ⇒ **Lock Sensor** **PWM Control**

## Dimensions (Unit : mm) (With ribs)



## Reference dimension of mounting holes and vent opening (Unit : mm)

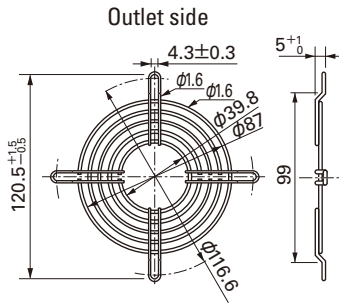


## Options (Unit : mm)

### Finger guards

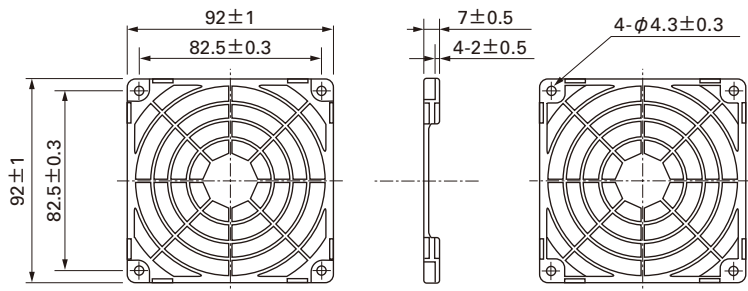
Model : 109-099C Surface treatment : Nickel-chrome plating (silver)

Color



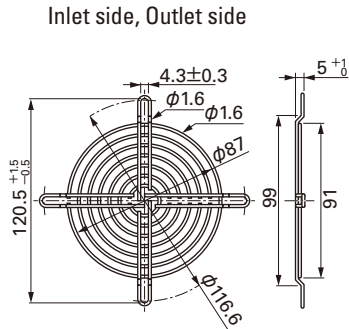
### Resin finger guards

Model : 109-1001G



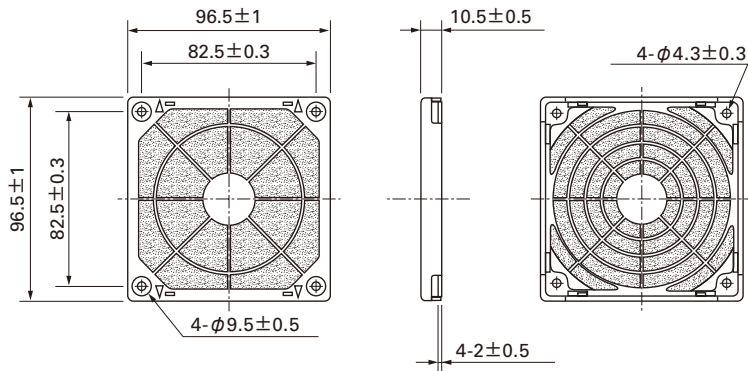
Model : 109-099E Surface treatment : Nickel-chrome plating (silver)  
: 109-099H : Cation electroplating (black)

Color

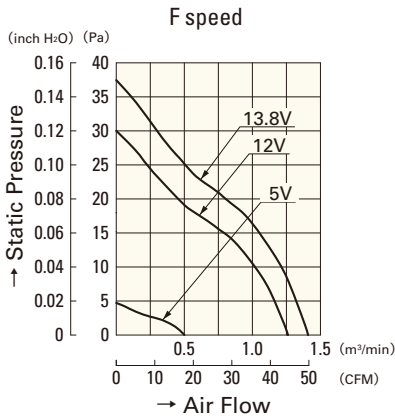


### Resin filter kits

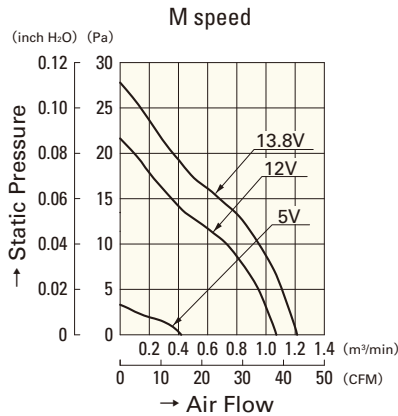
Model : 109-1001F13 (13PPI), 109-1001F20 (20PPI)  
: 109-1001F30 (30PPI), 109-1001F40 (40PPI)



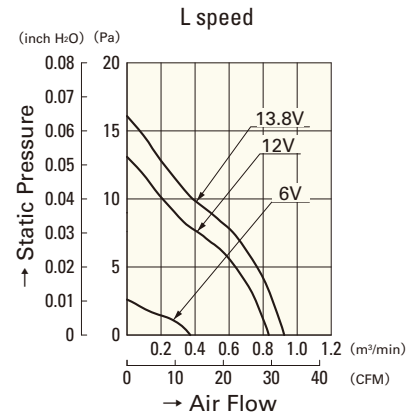
## Air Flow - Static Pressure Characteristics



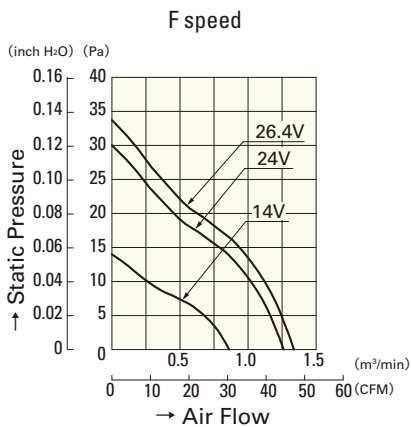
**9S0912F401**



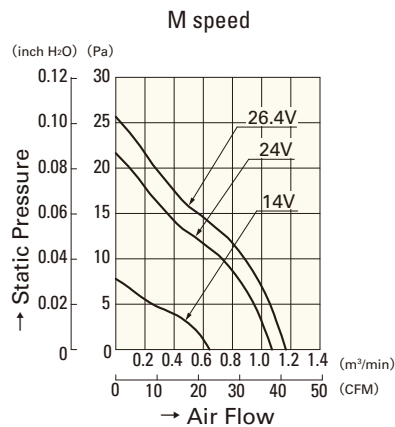
**9S0912M401**



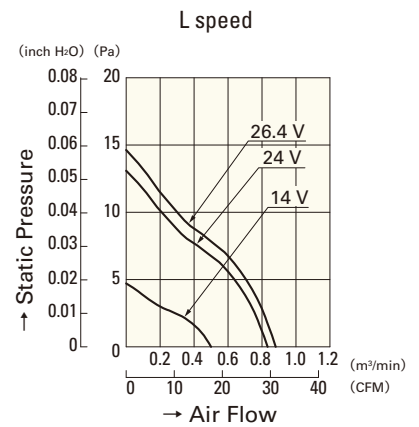
**9S0912L401**



**9S0924F401**



**9S0924M401**



**9S0924L401**