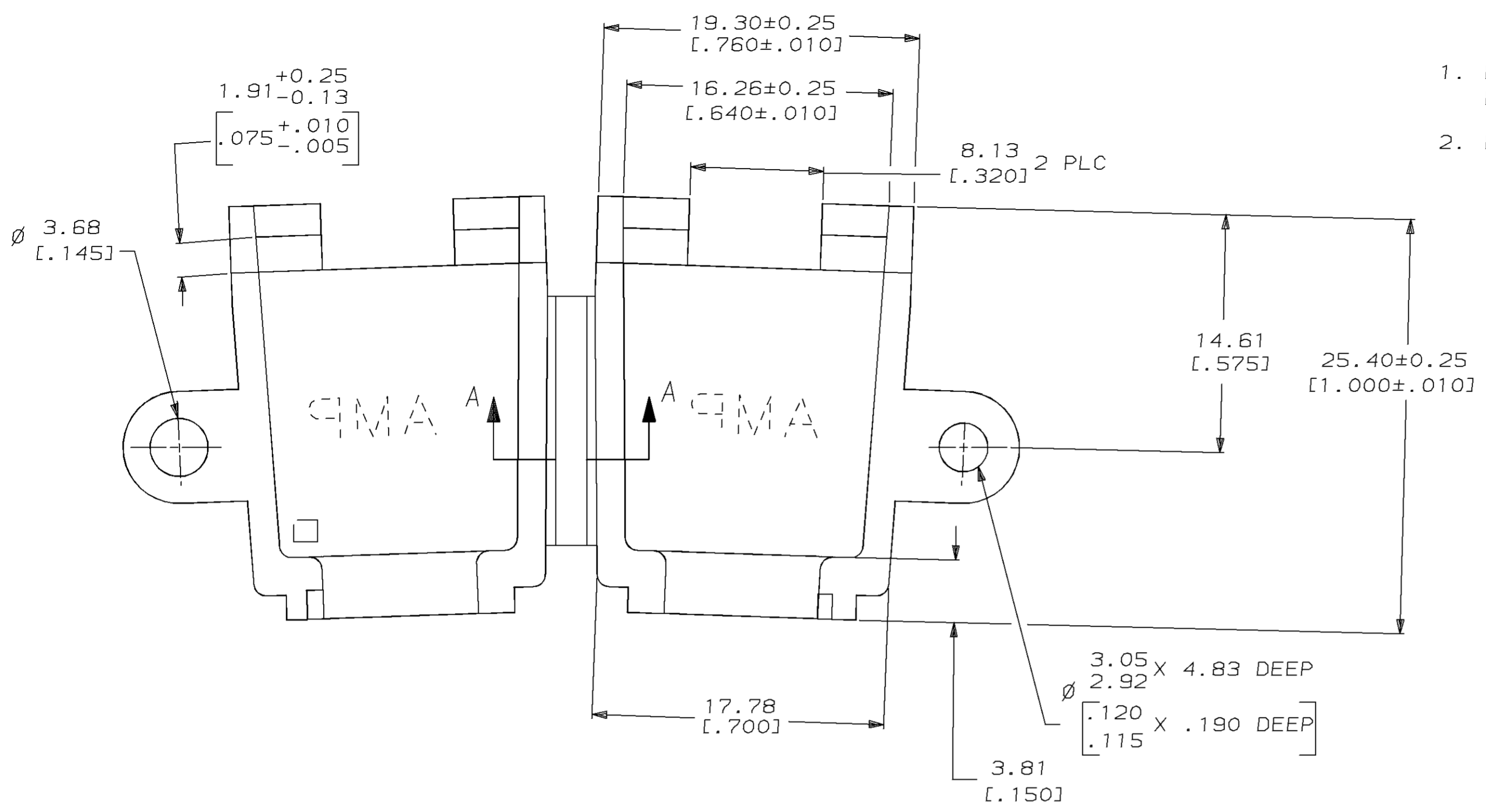
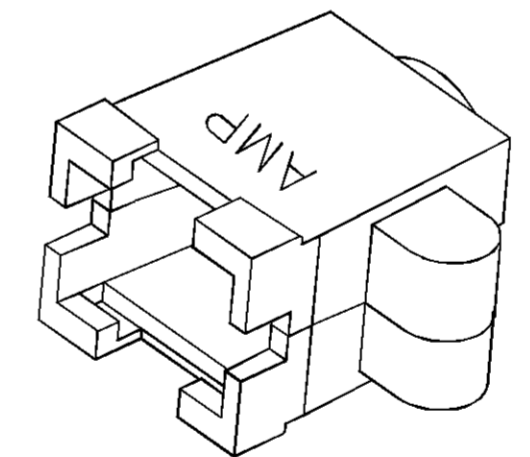
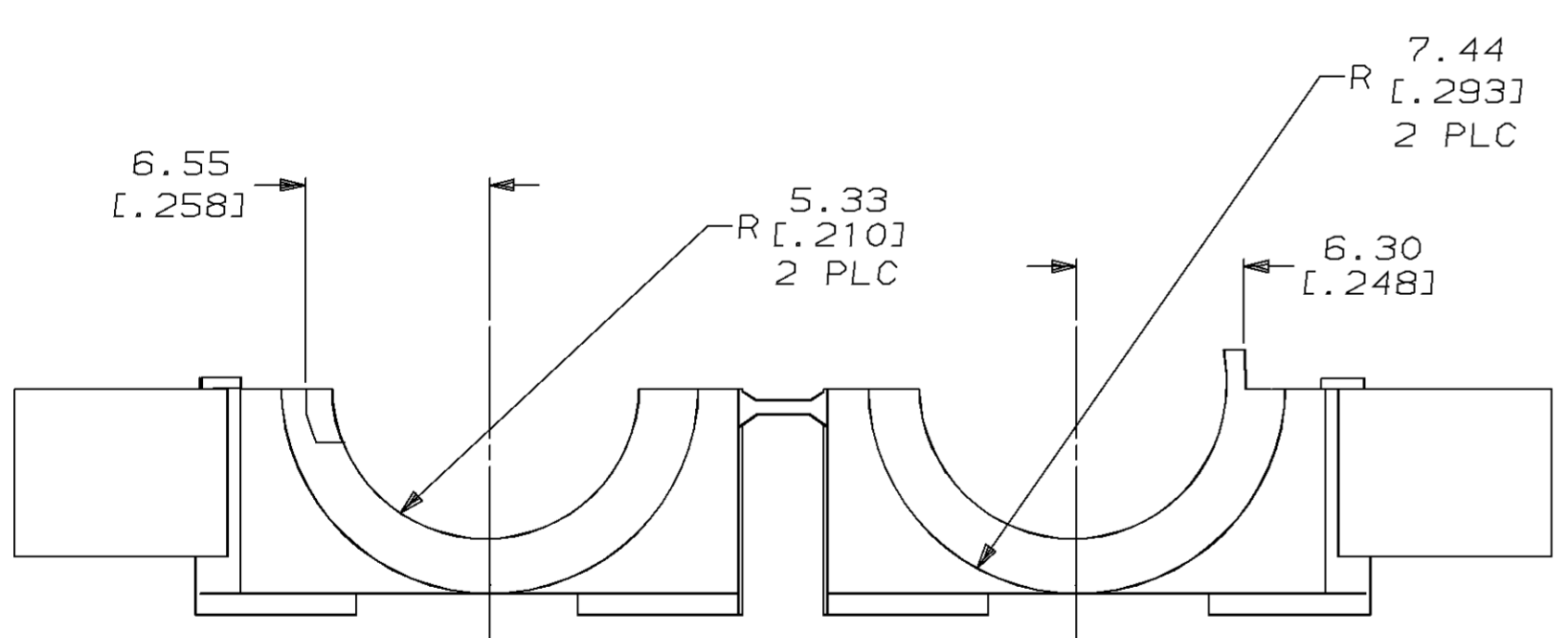
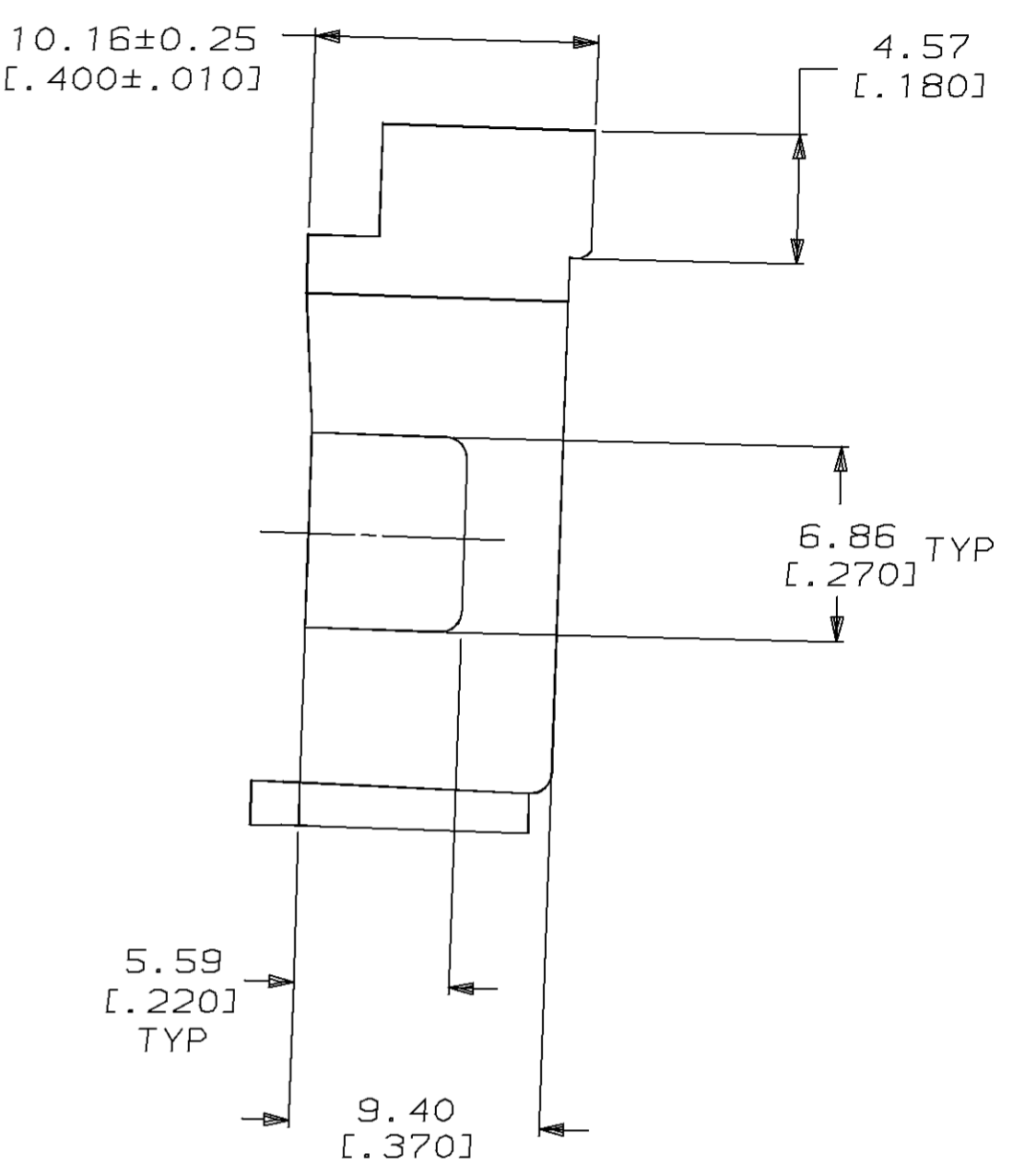


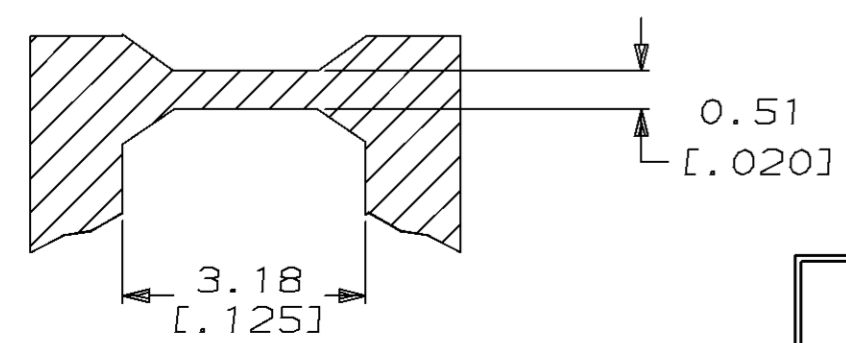
LOC	DIST	P	F	ZONE	LTR	REVISIONS	DATE	APPD
CM	52					REV & REDWN PER EC 0730-0072-94	6-9-93	K5



- REQUIRES A #6 PAN HEAD TYPE "B" SELF TAPPING PAN HEAD SCREW, 9.53 [.375] LONG.
- DIMENSIONS IN BRACKETS ARE IN INCHES.



3-DIMENSIONAL MODEL NTS



SECTION A-A
SCALE 10:1

METRIC

THIS DRAWING IS A CONTROLLED DOCUMENT FOR AMP INCORPORATED. IT IS SUBJECT TO CHANGE AND THE CONTROLLING ENGINEERING ORGANIZATION SHOULD BE CONTACTED FOR THE LATEST REVISION.

BLACK	1-350522-9
BRICK RED	350522-1
COLOR	PART NO

DO NOT SCALE PRINT. UNLESS SPECIFIED DIMENSIONS IN mm [INCHES] TOLERANCES ON : 2 PLC DEC ± 0.13 [.005] 3 PLC DEC ± - ANGLES ± -	DR 6-9-93 K. SALMON CHK 6-9-93 R. SWING APPD - W. LONG	AMP AMP Incorporated Harrisburg, PA 17105-3608 NAME STRAIN RELIEF, HINGED, 9 POSITION		
MATERIAL NYLON	APPD - W. LONG PRODUCT SPEC -			
FINISH COLOR, SEE TABLE	APPLICATION SPEC -	SIZE C	CAGE CODE 00779	DRAWING NO G=350522
	WEIGHT -	SCALE 4:1	SHEET 1 OF 1	

CUSTOMER DRAWING