

92mm sq.

San Ace 92L

25mm thick



Model no. 109L0948C401 is not certified.

General Specifications

- Material Frame: Aluminum, Impeller: Plastics (Flammability: UL94V-1)
- Expected Life Refer to specifications (L10:Survival rate: 90% at 60°C , rated voltage, and continuously run in a free air state)
- Lead Wire ⊕red ⊖black or blue (Sensor) yellow
- Storage Temperature -30°C to +70°C (Non-condensing)

92×92×25mm (Mass : 170g)

Specifications

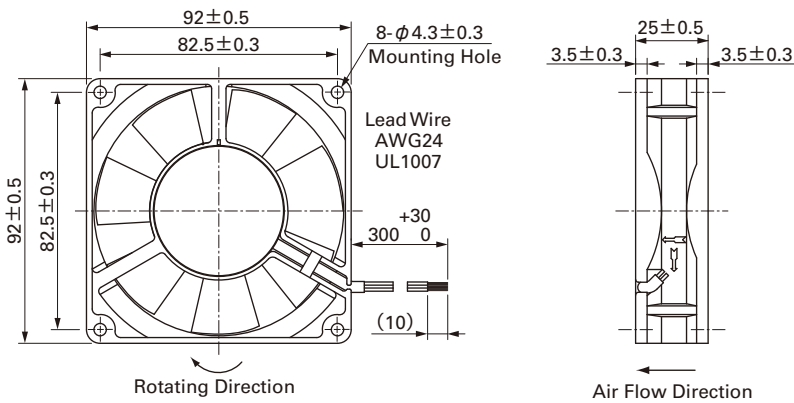
The following nos. **have pulse sensors.**

Model No.	Rated Voltage [V]	Operating Voltage Range [V]	Rated Current [A]	Rated Input [W]	Rated Speed [min ⁻¹]	Max. Air Flow [m ³ /min] [CFM]	Max. Static Pressure [Pa] [inchH ₂ O]	SPL [dB(A)]	Operating Temperature [°C]	Expected Life [h]
109L0912S401	12	10.2 to 13.8	0.32	3.84	3,500	1.69	59.7	66.6	- 20 to + 70	100,000
109L0912H401			0.21	2.52	2,850	1.38	48.7	45.1		
109L0912F401			0.14	1.68	2,450	1.18	41.7	32.3		
109L0912M401			0.11	1.32	2,100	1.01	35.7	23.5		
109L0912L401			0.08	0.96	1,700	0.80	28.2	16.7		
109L0924H401	24	20.4 to 27.6	0.12	2.88	2,850	1.38	48.7	45.1	- 20 to + 70	100,000
109L0924F401			0.08	1.92	2,450	1.18	41.7	32.3		
109L0924M401			0.06	1.44	2,100	1.01	35.7	23.5		
109L0924L401			0.05	1.2	1,700	0.80	28.2	16.7		
109L0948C401	48	43 to 53	0.1	4.8	3,400	1.65	58.3	64.2	- 20 to + 70	80,000
109L0948H401		40.8 to 55.2	0.06	2.88	2,850	1.38	48.7	45.1		100,000

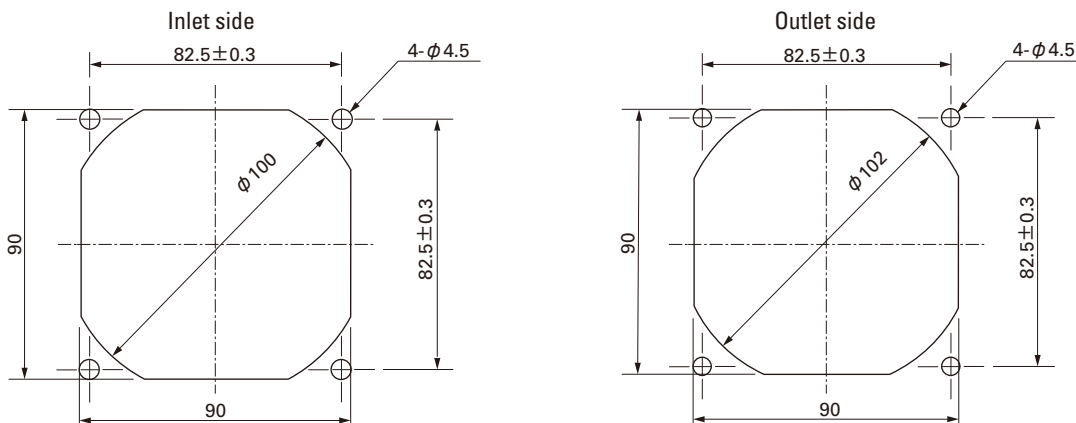
Available options: ⇒ **Without Sensor**

Please inquire as the availability of these functions depend on the model. ⇒ **Lock Sensor** **Low speed Sensor**

Dimensions (Unit : mm)



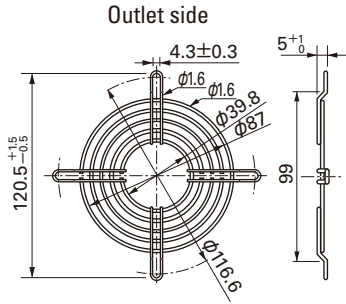
Reference dimension of mounting holes and vent opening (Unit : mm)



Options (Unit : mm)

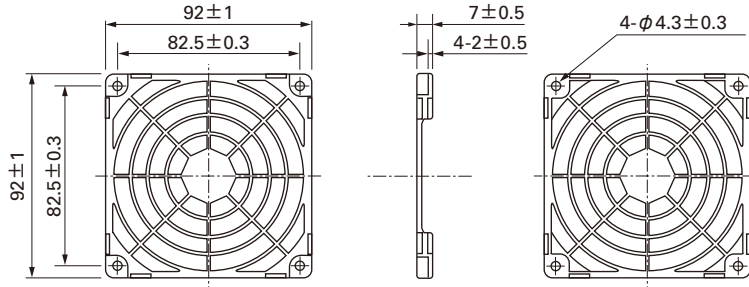
Finger guards

Model : 109-099C Surface treatment : Nickel-chrome plating (silver) Color : 109-099H : Cation electropainting (black)



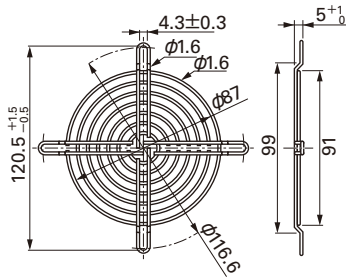
Resin Finger guards

Model : 109-1001G



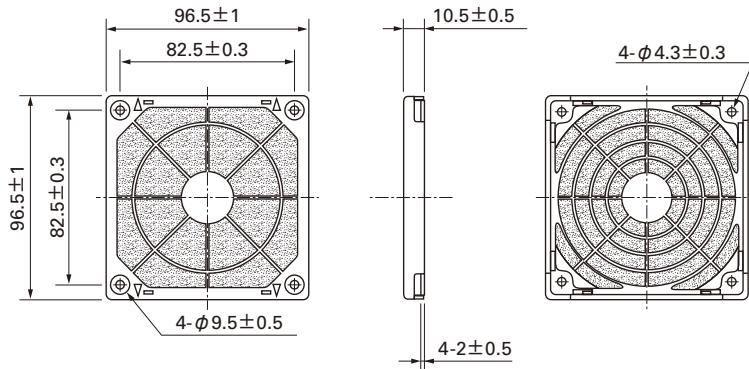
Model : 109-099E Surface treatment : Nickel-chrome plating (silver) Color : 109-099H : Cation electropainting (black)

Inlet side, Outlet side

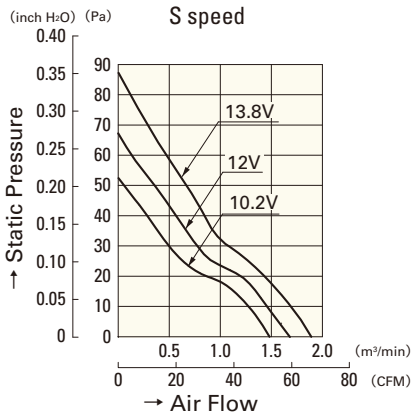


Resin filter kits

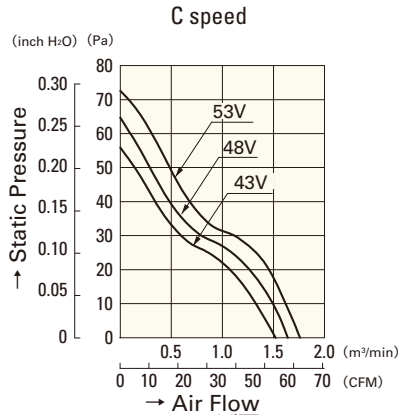
Model : 109-1001F13 (13PPI), 109-1001F20 (20PPI) : 109-1001F30 (30PPI), 109-1001F40 (40PPI)



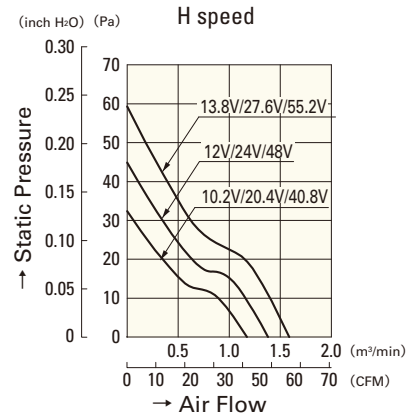
Air Flow - Static Pressure Characteristics



109L0912S401



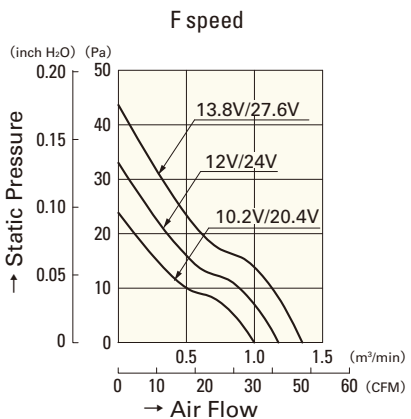
109L0948C401



109L0912H401

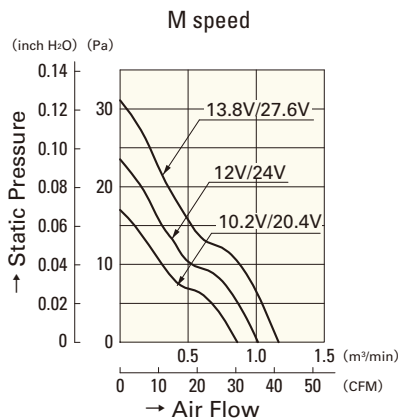
109L0924H401

109L0948H401



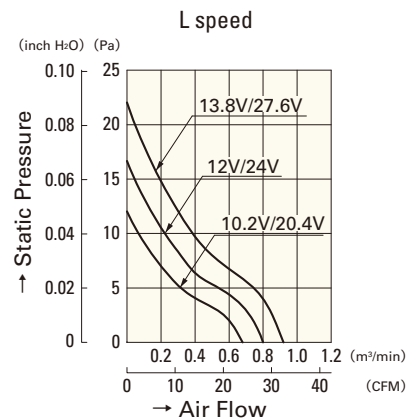
109L0912F401

109L0924F401



109L0912M401

109L0924M401



109L0912L401

109L0924L401