

**φ172mm**

# San Ace 172

- 25mm thick(Sidecut type)
- 51mm thick(Sidecut type SG type)
- 51mm thick(Sidecut type GV type)
- 51mm thick(Sidecut type)
- 51mm thick(Round type)



## General Specifications

- Material ..... Frame: Aluminum, Impeller: Plastics (Flammability: UL94V-1)
- Expected Life ..... Refer to specifications (L10:Survival rate:90% at 60°C , rated voltage, and continuously run in a free air state)
- Lead Wire ..... ⊕red ⊖black or blue (Sensor) yellow
- Storage Temperature ..... -30°C to +70°C (Non-condensing)

**φ172mm × 147mm × 25mm** (Mass : 500g) **SideCut type**

## Specifications

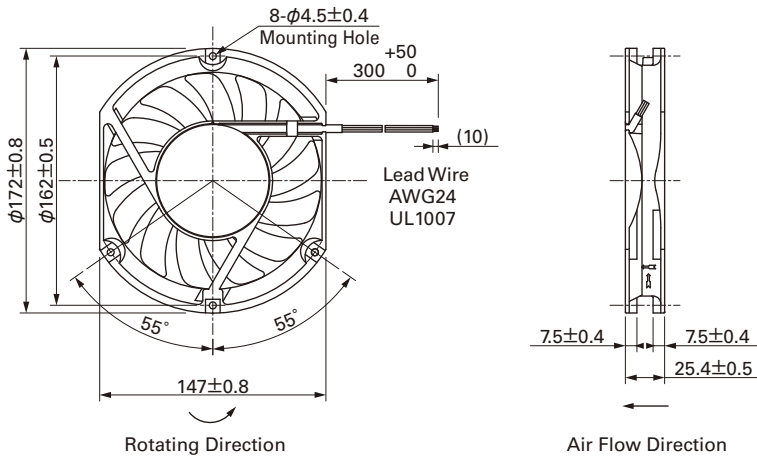
The following nos. **have pulse sensors.**

Model No.	Rated Voltage [V]	Operating Voltage Range [V]	Rated Current [A]	Rated Input [W]	Rated Speed [min <sup>-1</sup> ]	Max. Air Flow [m <sup>3</sup> /min] [CFM]	Max. Static Pressure [Pa] [inchH <sub>2</sub> O]	SPL [dB(A)]	Operating Temperature [°C]	Expected Life [h]
109E4712M401	12	10.2 to 13.8	1.3	15.6	2,800	5.2 183	92 0.369	51	-10 to +60	40,000
109E4712L401			1.0	12.0	2,500	4.6 162	73 0.293	48		
109E4724H401	24	20.4 to 27.6	1.0	24.0	3,400	6.4 226	135 0.542	57		
109E4724F401			0.79	19.0	3,100	5.8 204	112 0.450	54		
109E4724M401			0.58	13.9	2,800	5.2 183	92 0.369	51		
109E4724L401			0.44	10.6	2,500	4.6 162	73 0.293	48		
109E4748S401	48	40.8 to 55.2	0.62	29.8	3,650	6.8 240	156 0.627	58		
109E4748H401			0.52	25.0	3,400	6.4 226	135 0.542	57		
109E4748F401			0.40	19.2	3,100	5.8 204	112 0.450	54		
109E4748M401			0.32	15.4	2,800	5.2 183	92 0.369	51		
109E4748L401			0.25	12.0	2,500	4.6 162	73 0.293	48		

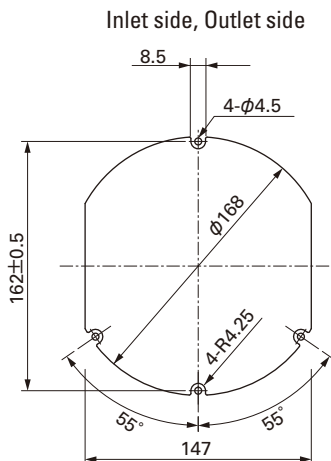
Available options: ⇒ **Without Sensor**

Please inquire as the availability of these functions depend on the model. ⇒ **Lock Sensor** **Low speed Sensor** **PWM Control**

## Dimensions (Unit : mm)



## Reference dimension of mounting holes and vent opening (Unit : mm)

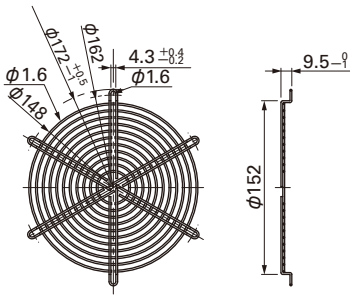


## Options (Unit : mm)

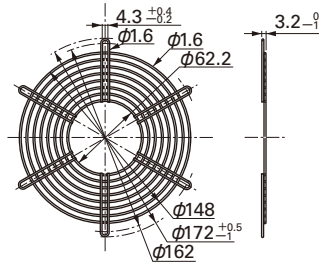
### Finger guards

Model : 109-319E Surface treatment : Nickel-chrome plating (silver) Color : 109-319H : Cation electropainting (black)

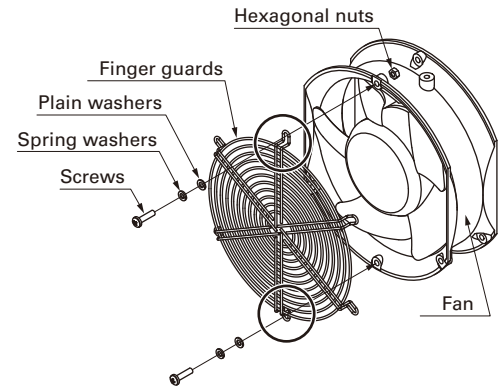
Inlet side, Outlet side



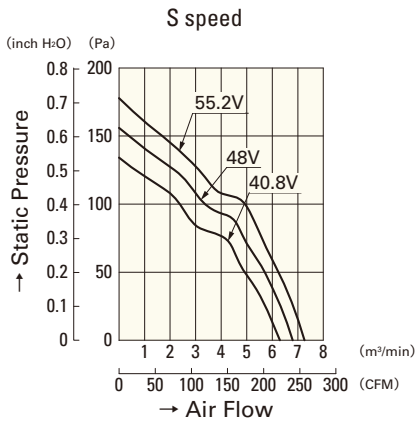
Outlet side



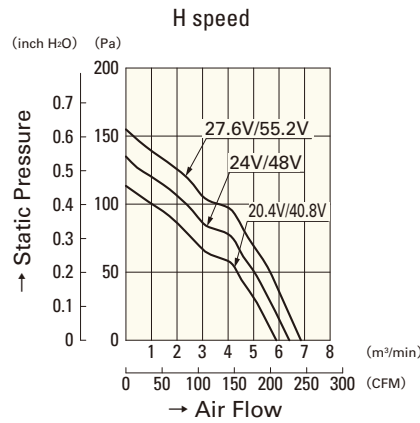
For the finger guard Model: 109-319E, 109-319H, 109-320, fix the finger guard to two holes as shown in the diagram. Do not fix it to any other holes.



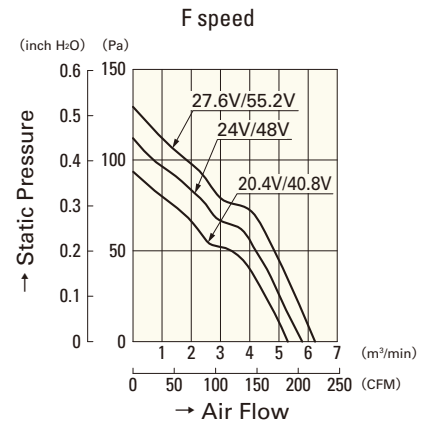
## Air Flow - Static Pressure Characteristics



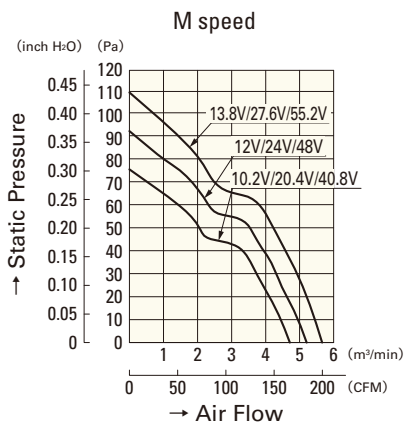
**109E4748S401**



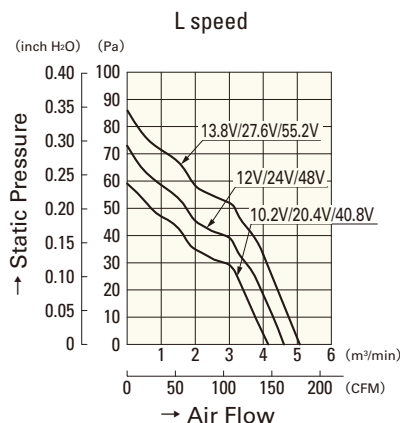
**109E4724H401**  
**109E4748H401**



**109E4724F401**  
**109E4748F401**



**109E4712M401**  
**109E4724M401**  
**109E4748M401**



**109E4712L401**  
**109E4724L401**  
**109E4748L401**