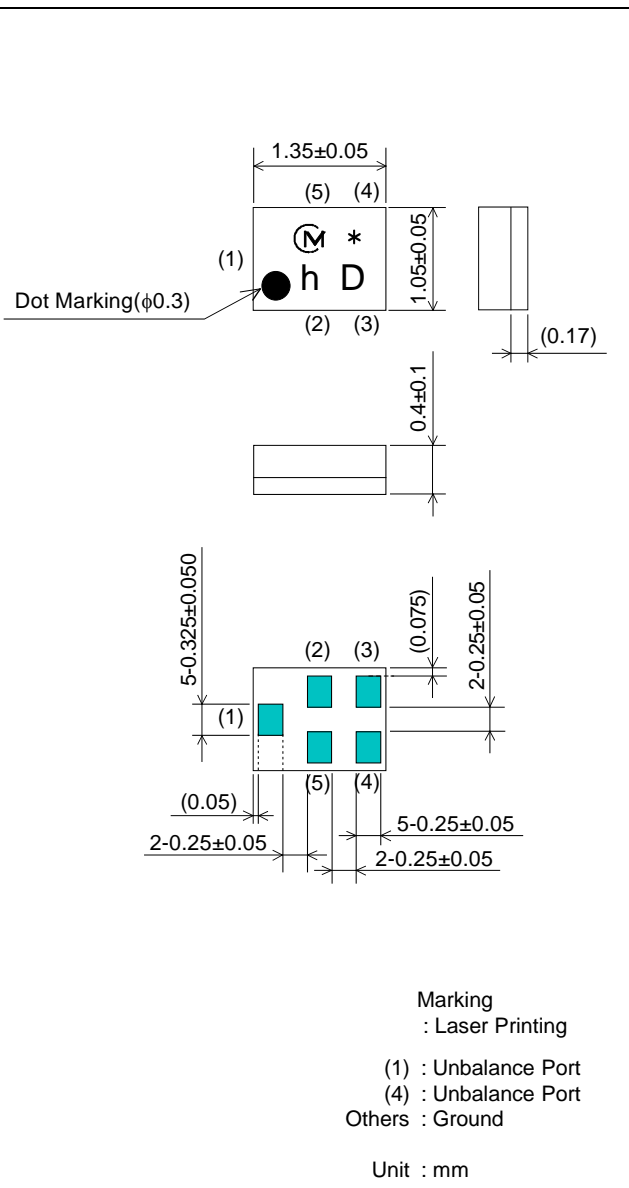


# SAW FILTER FOR UMTS Band11

Murata part number : SAFEA1G43KA0F00

## Package Dimensions



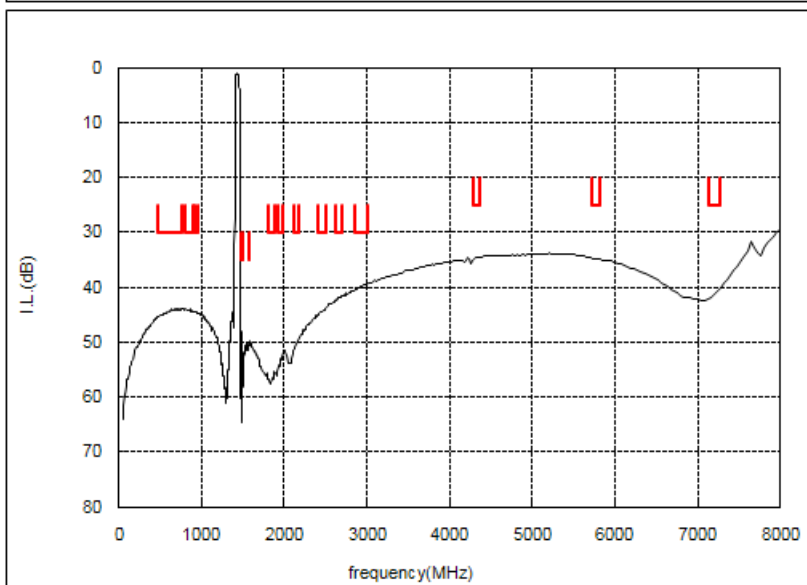
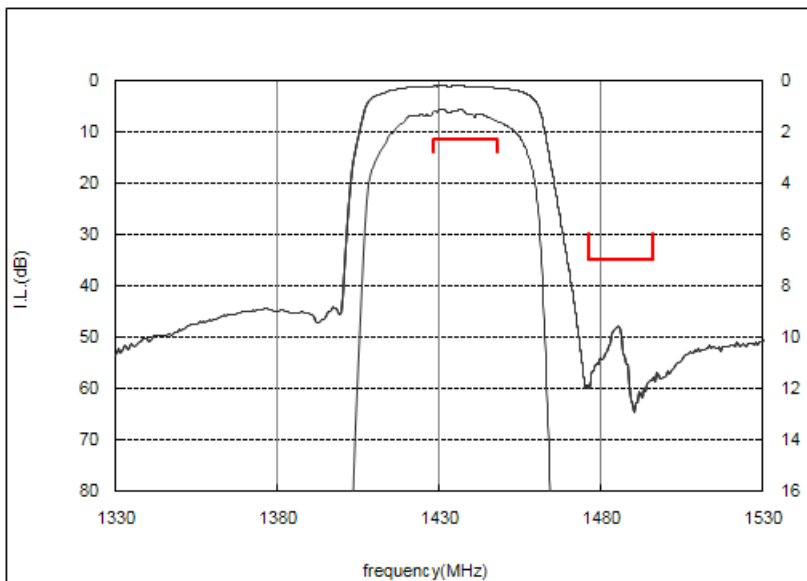
## Specification

Item	Target Specification		
	-30 to 85°C	25±2°C	typ.
Nominal Center Frequency(fc)	1437.9MHz		
Insertion Loss (1427.9 to 1447.9MHz)	2.3 dB max.	2.1 dB max.	1.7 dB
Absolute Attenuation			
1) 470 to 770 MHz	30 dB min.	30 dB min.	41 dB
2) 810 to 895 MHz	30 dB min.	30 dB min.	41 dB
3) 921 to 960 MHz	30 dB min.	30 dB min.	41 dB
4) 1475.9 to 1495.9 MHz	35 dB min.	35 dB min.	48 dB
5) 1573 to 1577 MHz	35 dB min.	35 dB min.	50 dB
6) 1805 to 1880 MHz	30 dB min.	30 dB min.	49 dB
7) 1930 to 1990 MHz	30 dB min.	30 dB min.	47 dB
8) 2110 to 2170 MHz	30 dB min.	30 dB min.	46 dB
9) 2400 to 2500 MHz	30 dB min.	30 dB min.	41 dB
10) 2620 to 2690 MHz	30 dB min.	30 dB min.	38 dB
11) 2855.8 to 3001.8 MHz	30 dB min.	30 dB min.	37 dB
12) 4283.7 to 4358.7 MHz	25 dB min.	25 dB min.	32 dB
13) 5711.6 to 5811.6 MHz	25 dB min.	25 dB min.	33 dB
14) 7139.5 to 7264.5 MHz	25 dB min.	25 dB min.	40 dB
Ripple Deviation (1427.9 to 1447.9MHz)	1.2dB max.	1.2dB max.	0.7 dB
VSWR (1427.9 to 1447.9MHz)	1.8 max.	1.8 max.	1.4
Unbalance Port Matching Impedance (nominal)	50Ω		
Input Signal Level	20mW (+13dBm), 2000 hours		

# SAW FILTER FOR UMTS Band11

Murata part number : SAFEA1G43KA0F00

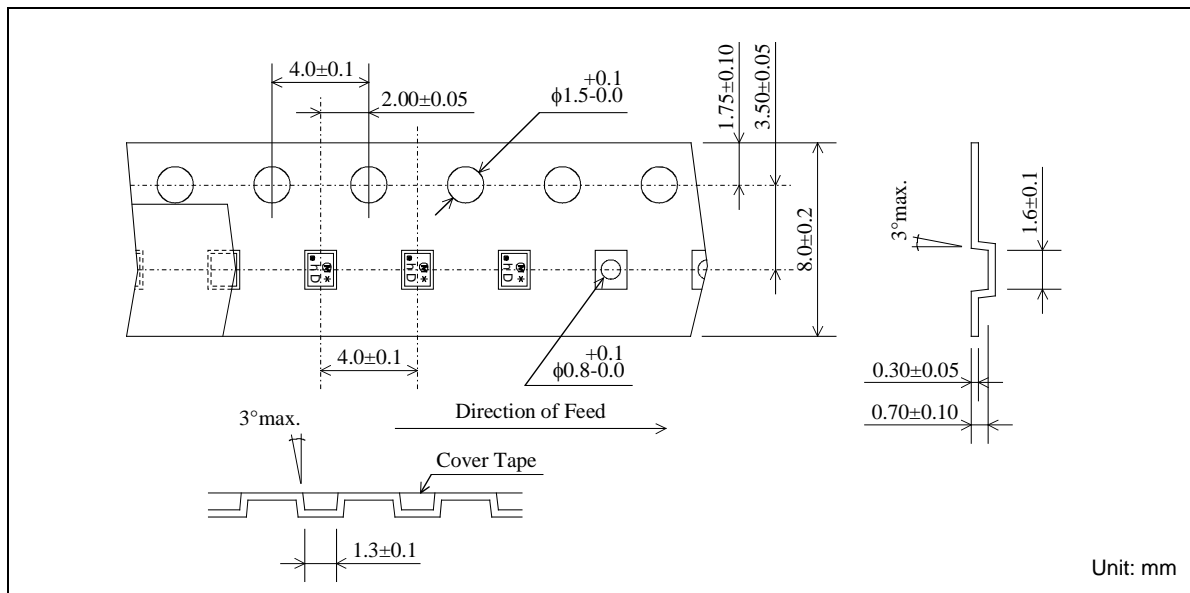
## Frequency Performance



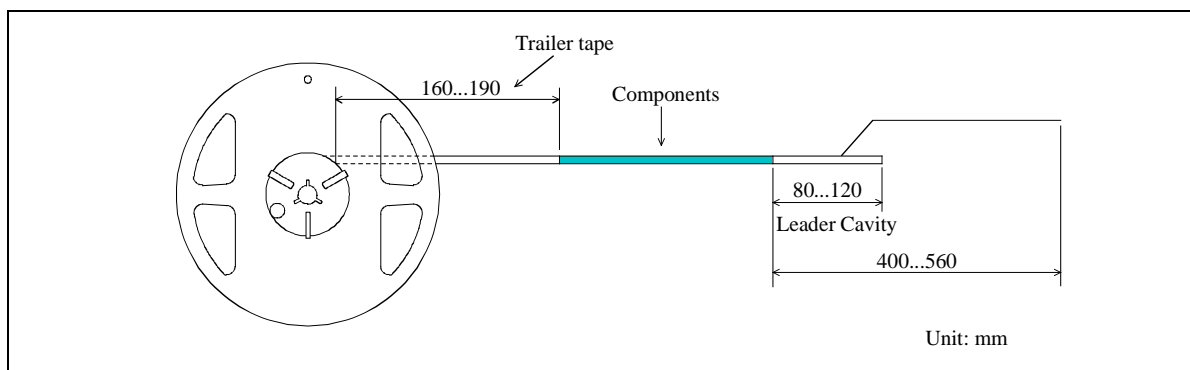
# SAW FILTER FOR UMTS Band11

Murata part number : SAFEA1G43KA0F00

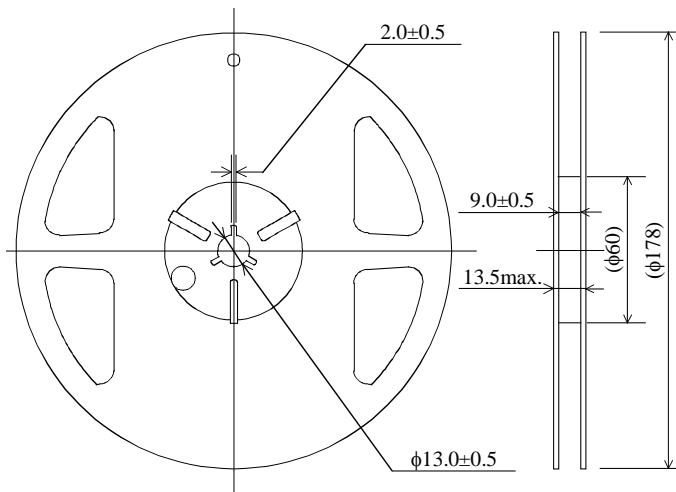
## Dimensions of Carrier Tape



## Dimensions of Tape



## Dimensions of Reel



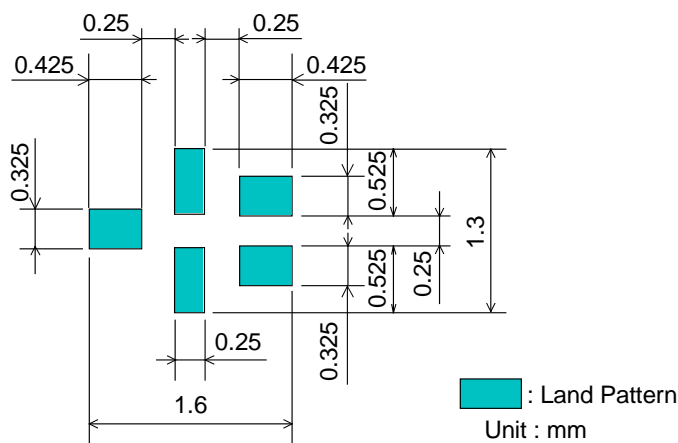
Unit: mm

SAFEA1G43KA0F00R14 ... 4000pcs/reel  
SAFEA1G43KA0F00R12 ... 2000pcs/reel

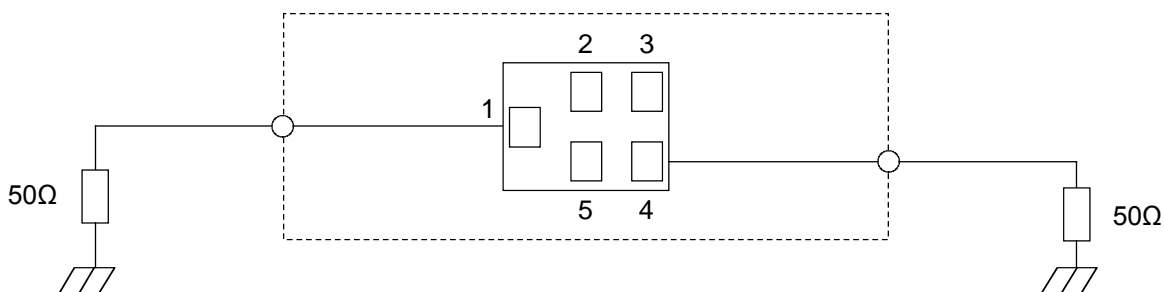
# SAW FILTER FOR UMTS Band11

Murata part number : SAFEA1G43KA0F00

## Recommended Land Pattern



## Test Circuit



- This PDF Datasheet is downloaded from the website of Murata Manufacturing Co., Ltd. Therefore, it's specifications are subject to change or our products in it may be discontinued without advance notice. Please check with our sales representatives or product engineers before ordering.
- This PDF Datasheet has only typical specifications because there is no space for detailed specifications. Therefore, please approve our product specifications or transact the approval sheet for product specifications before ordering.