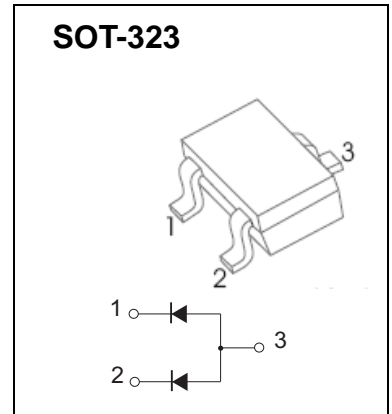


## SOT-323 Plastic-Encapsulate Diode

### DAP202U SWITCHING DIODE

#### FEATURES:

- Four types of packaging are available
- High speed
- Suitable for high packing density layout
- High reliability



#### MARKING:P

#### Maximum Ratings @Ta=25 °C

Parameter	Symbol	Limit	Unit
Peak reverse voltage	$V_{RM}$	80	V
DC reverse voltage	$V_R$	80	V
Maximum (peak) forward current	$I_{FM}$	300	mA
Average forward current	$I_O$	100	mA
Power dissipation	$P_D$	200	mW
Junction temperature	$T_j$	150	°C
Storage temperature	$T_{stg}$	-55~+150	°C

#### ELECTRICAL CHARACTERISTICS (Ta=25°C unless otherwise specified)

Parameter	Symbol	Test conditions	Min	Max	Unit
Reverse breakdown voltage	$V_{(BR)}$	$I_R=100\mu A$	80		V
Reverse voltage leakage current	$I_R$	$V_R=70V$		0.1	$\mu A$
Forward voltage	$V_F$	$I_F=100mA$		1.2	V
Diode capacitance	$C_D$	$V_R=6V, f=1MHz$		3.5	pF
Reverse recovery time	$t_{rr}$	$V_R=6V, I_F=5mA$		4	ns

# Typical Characteristics

# DAP202U

