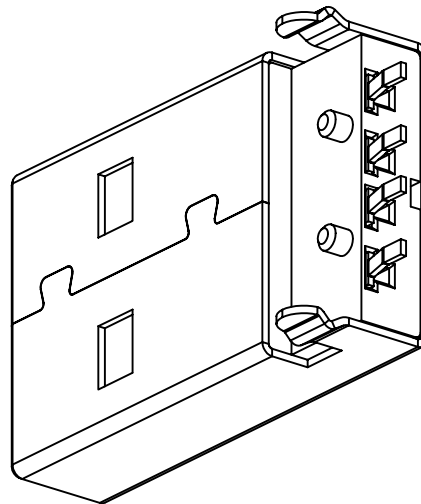
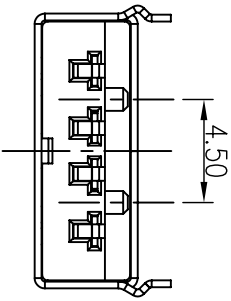
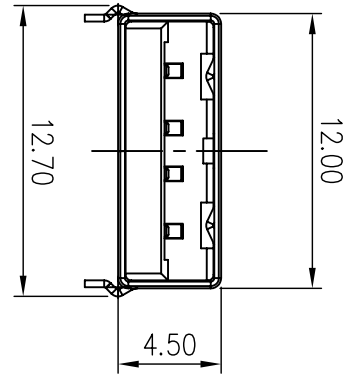
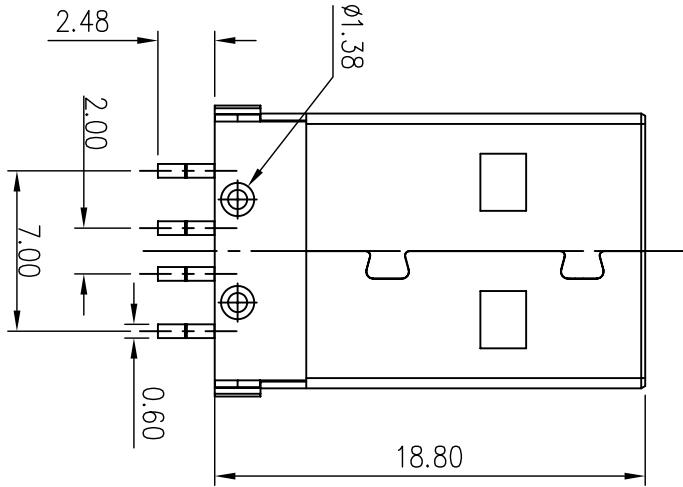
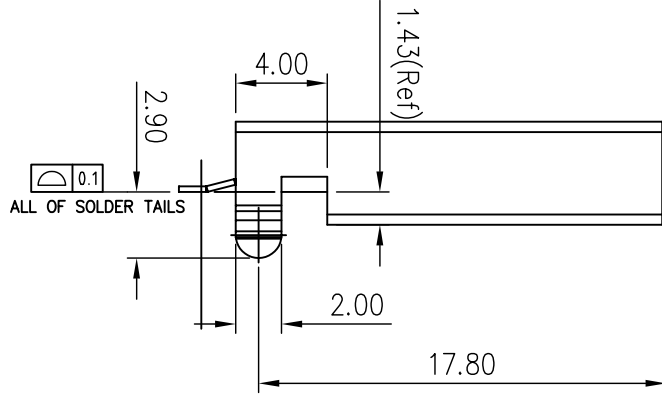


PROD NO
SEE SHEET 2/2



mat'l. code		dr		ddate		tolerances unless otherwise specified		CUSTOMER		title	
ltr	ecn no	J.C	J.C	9/15/03'	10/28/03'	lineor	.XX ±.30	projection	COPY	product family	www.fciconnect.com
A	T03-0392	J.C	J.C	9/15/03'	10/28/03'		.XX ±.20	MM		USB	
B	T03-0478	J.C	J.C	10/28/03'			.XXX ±.10			USB	
C	T05-0246	W.L	W.L	10/31/05			0° ±.3°			USB	
D	T06-0202	A.C.	A.C.	12/27/06						USB	
		engr		JASMINE CHANG		8/15/03'					
		chr		ROGER LIN		8/15/03'					
		appd		JAMES HSU		8/15/03'					
sheet	revision	D	D	1	2						
index	sheet	1	2								

ATAD

3

code code
22526

4

PROD NO:
SEE NOTES

NOTES:

1.MATERIAL:
SHELL: SPCC

HOUSING: THERMOPLASTIC, GLASS FIBER FILLED,
UL 94V-0 RATED.

CONTACT: COPPER ALLOY

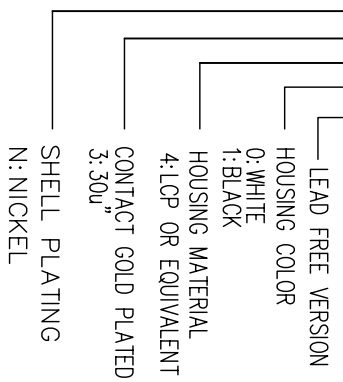
2.PLATING:

SHELL : N:NICKEL PLATED WITH CU UNDERPLATE.
CONTACT : UNDERPLATED NICKEL OVER ALL.
MATTE TIN ON SOLDERING AREA,
SELECTIVE GOLD PLATED ON CONTACT AREA.

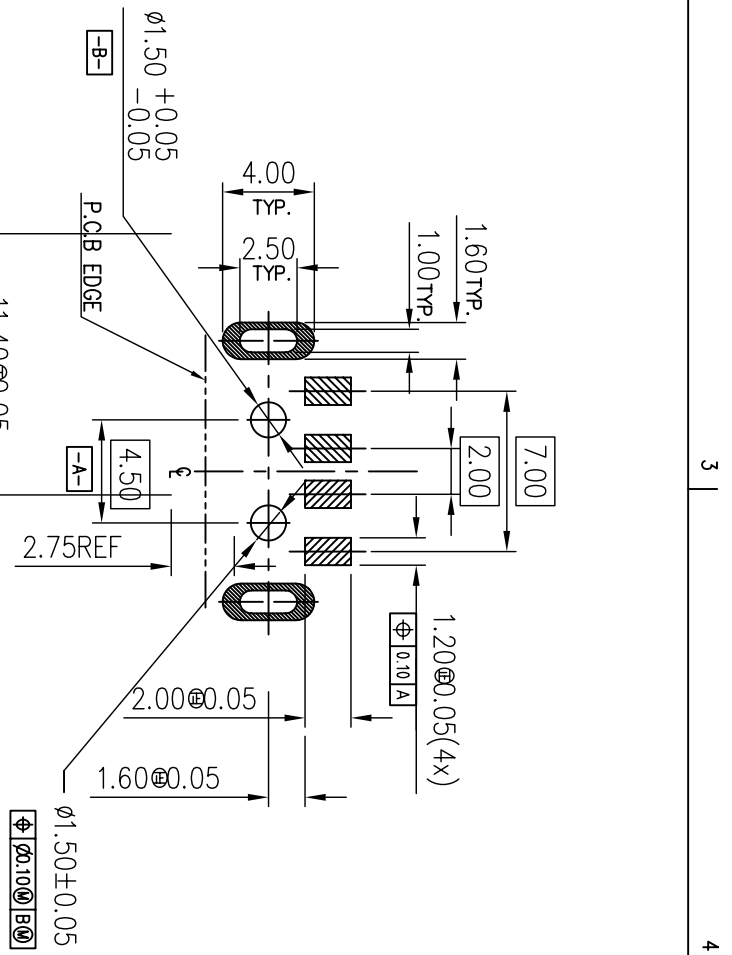
3.PRODUCT SPEC NO: GS-12-265.
PACKAGE SPEC NO: GS-14-874.

4.PRODUCT NO. DESCRIPTION

10033425 - N 3 4 X LF



5.10033425-N34XLF: THE HOUSING WILL WITHSTAND EXPOSURE TO 260° PEAK TEMPERATURE FOR 10 SECONDS IN A CONVECTION, IR OR VAPOR PHASE REFLOW OVEN.
6. THIS PRODUCT (10033425-N34XLF) MEETS THE EUROPEAN UNION DIRECTIVE AS DESCRIBED IN GS-22-008.



RECOMMENDED PCB LAYOUT
(COMPONENT SIDE) THICKNESS=1.2~1.6mm
GENERAL TOLERANCE±0.05mm

mat'l. code	ecn no	dr	date	tolerances unless otherwise specified	CUSTOMER COPY	projection	title
D				.X ±.30 .XX ±.20 .XXX ±.10		MM	USB A TYPE PLUG (SMT)
				angles 0° ±.3°			product family USB
				dr JASMINE CHANG 8/15/03'			size 10033425
				enfr ALLEN CHANG 8/15/03'			code -
				chr ROGER LIN 8/15/03'			sheet 2 of 2
				appd JAMES HSU 8/15/03'			
sheet index	revision	sheet					

AT AD

code code
22526