



TAI-SAW TECHNOLOGY CO., LTD.

No. 3, Industrial 2nd Rd., Ping-Chen Industrial District,
Taoyuan, 324, Taiwan, R.O.C.

TEL: 886-3-4690038 FAX: 886-3-4697532

E-mail: ttsales@mail.taisaw.com Web: www.taisaw.com

Approval Sheet For Product Specification

Issued Date: Sep, 8, 2008

Product Name: SAW Filter 830 MHz SMD 3.8X3.8 mm

TST Parts No.: TA0907A

Customer Parts No.: _____

Company: _____
Division: _____
Approved by : _____
Date: _____

Checked by: _____ Bob Chau *Bob Chau*

Approval by: _____ Francis Chen *Francis Chen*

Date: _____ 9, 8, 2008



TAI-SAW TECHNOLOGY CO., LTD.

No. 3, Industrial 2nd Rd., Ping-Chen Industrial District,
Taoyuan, 324, Taiwan, R.O.C.

TEL: 886-3-4690038 FAX: 886-3-4697532

E-mail: tstsales@mail.taisaw.com Web: www.taisaw.com

SAW Filter 830 MHz

MODEL NO.:TA0907A

REV. NO.:1

A. MAXIMUM RATING:

1. Input Power Level: 10 dBm
2. DC Voltage : 3V
3. Operating Temperature: -20°C to +70°C
4. Storage Temperature: -30°C to +85°C

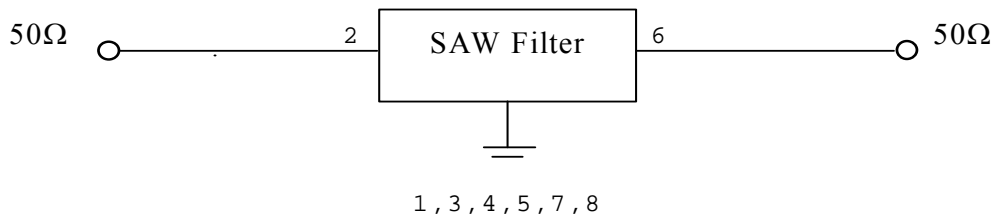
RoHS Compliant
Lead free
Lead-free soldering

B. ELECTRICAL CHARACTERISTICS:

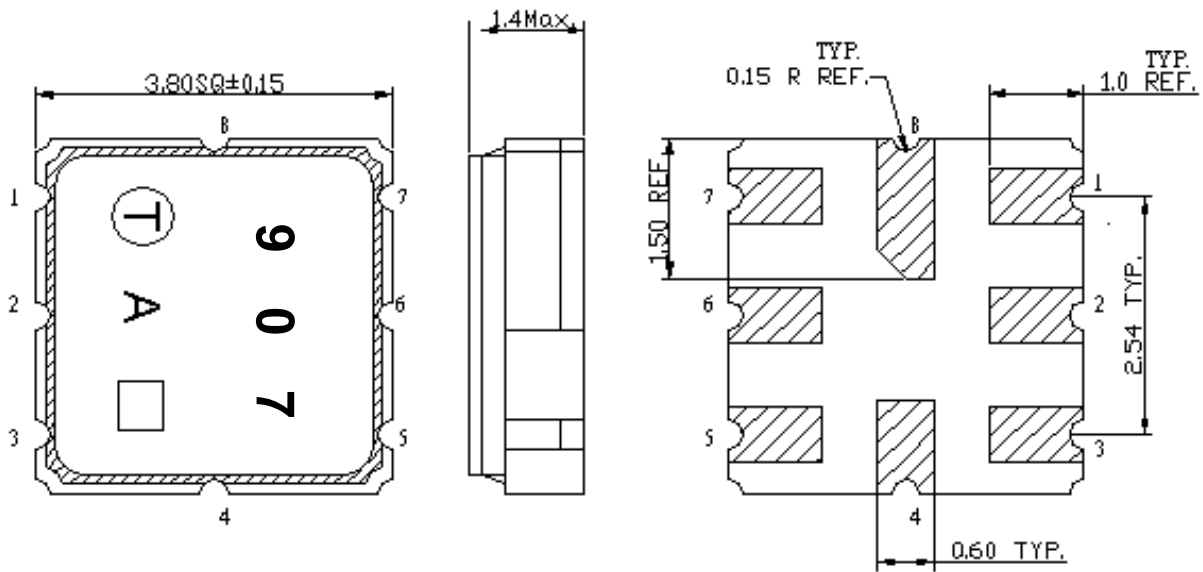
Item	Unit	Min.	Typ.	Max.	Note
Center Frequency Fc	MHz	-	830	-	-
Insertion loss (825~835 MHz) IL	dB	-	2.7	4.2	-
Amplitude Ripple (825 ~ 835 MHz)	dB	-	0.5	2	-
VSWR (825~835 MHz)		-	1.4	2.3	-
Attenuation (Reference level from 0 dB)					
0 ~ 795 MHz	dB	35	57	-	-
865 ~ 1300 MHz	dB	35	53	-	-

C. MEASUREMENT CIRCUIT:

HP Network analyzer



D.OUTLINE DRAWING:



2 : Input

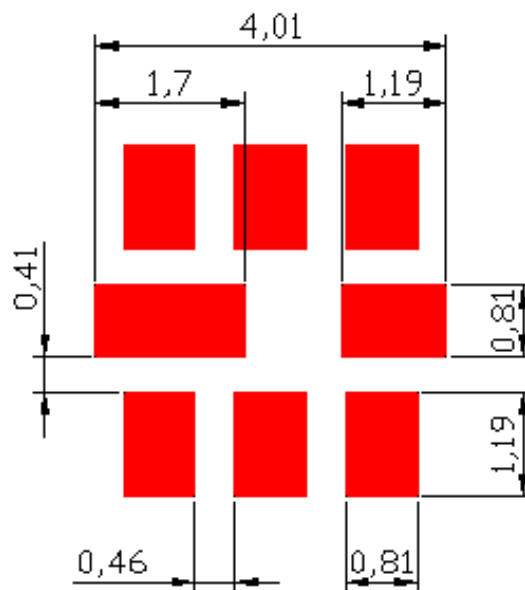
6: Output

1,3,4,5,7,8: Ground

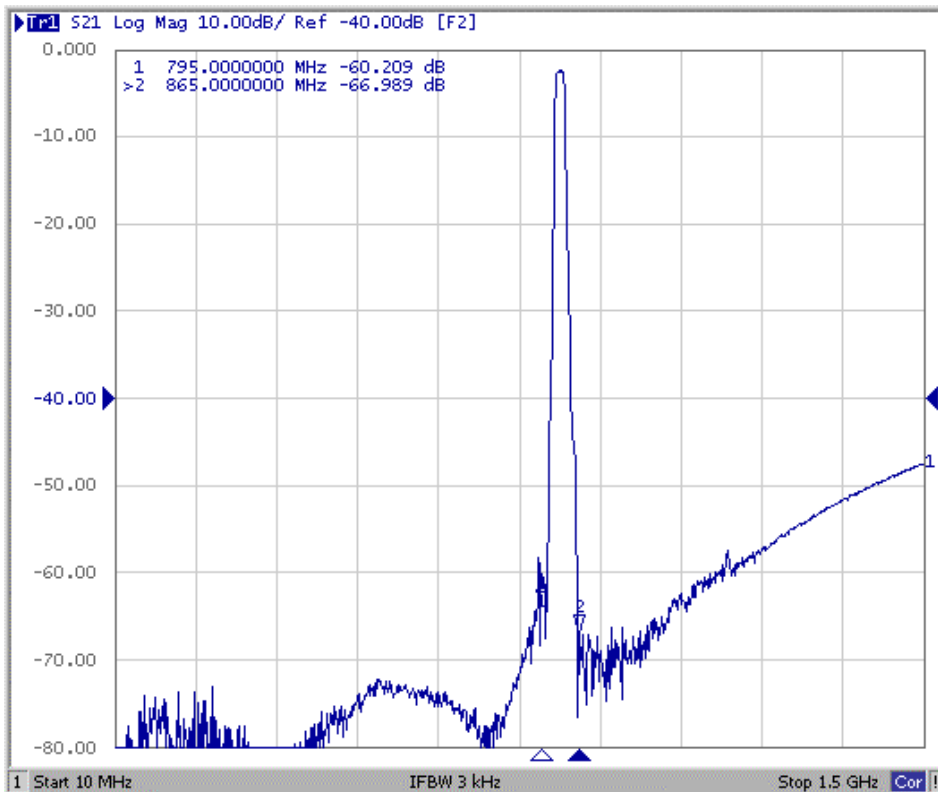
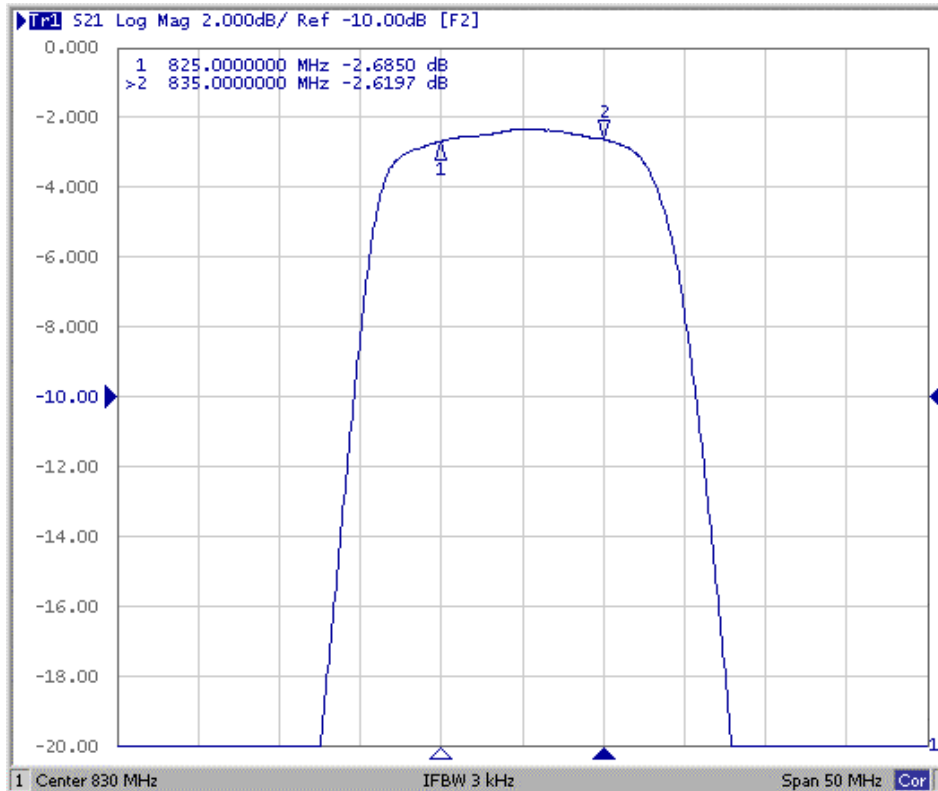
□ : Date Code (W01->A, W02->B,...W52->z)

Unit: mm

E. PCB Footprint:

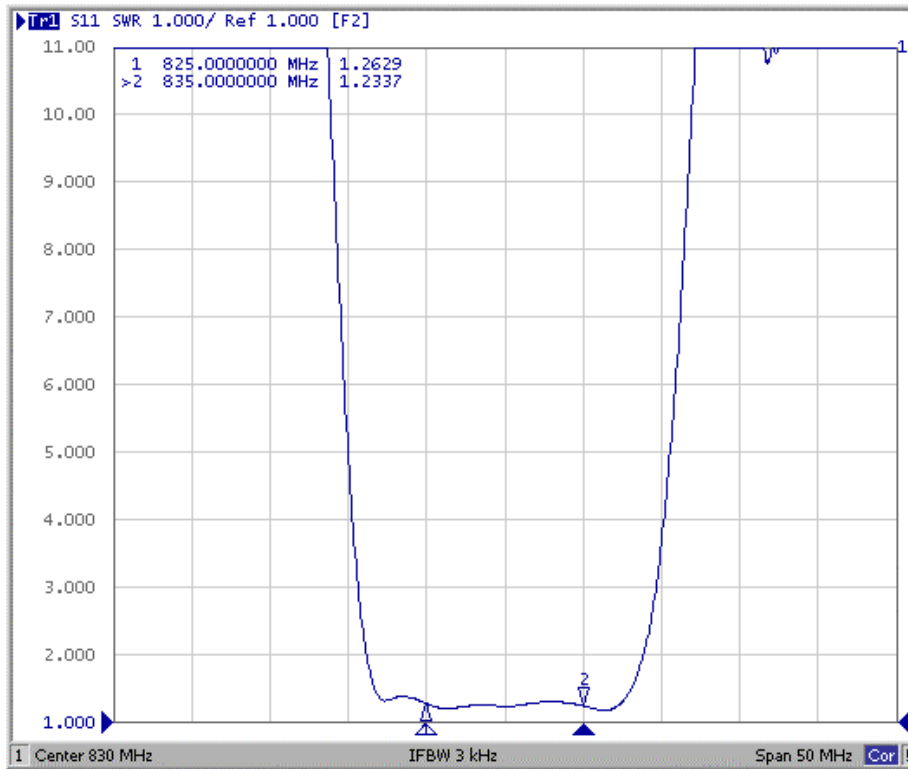


F. Frequency Characteristics :

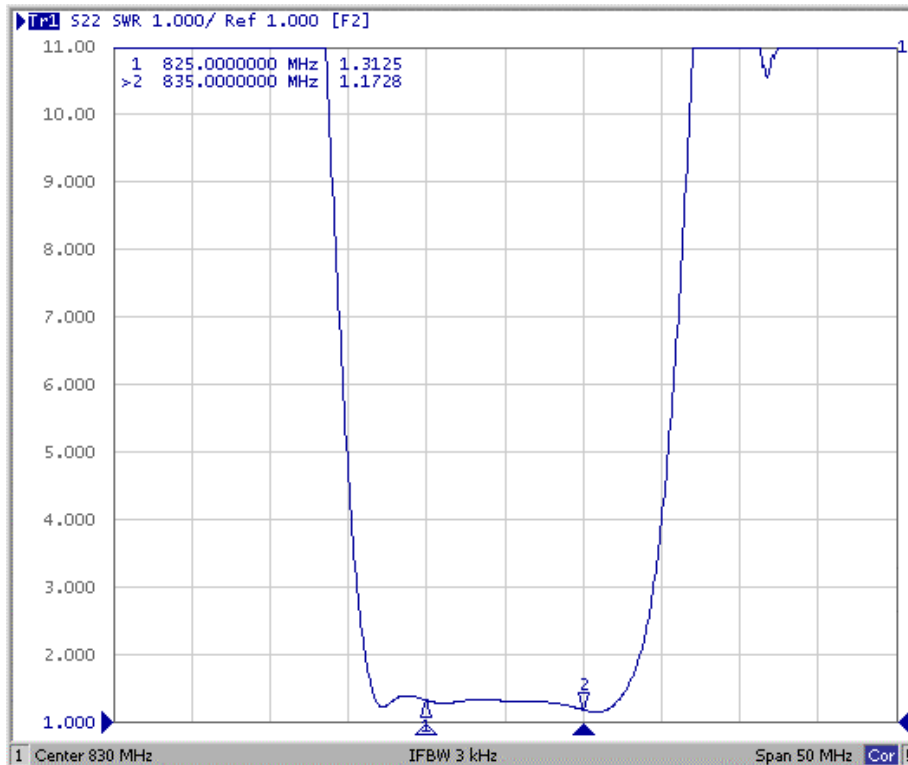


Reflection Functions :

S11



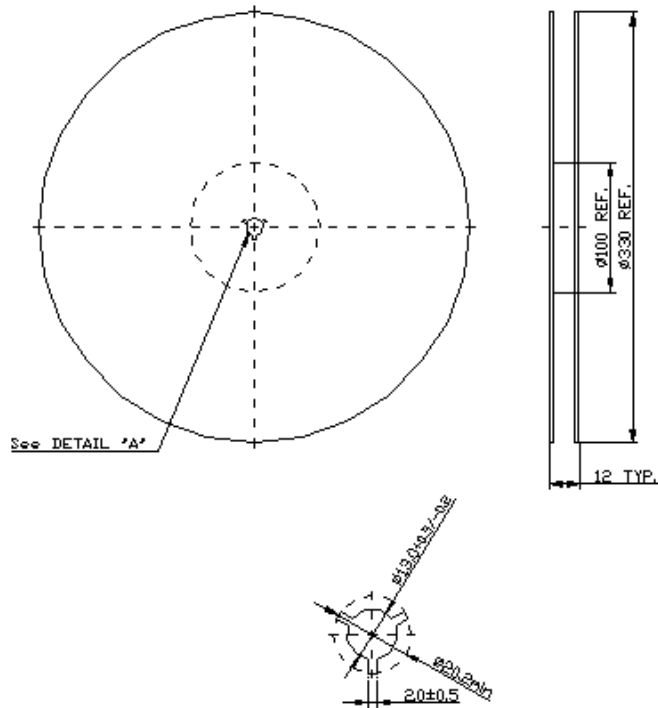
S22



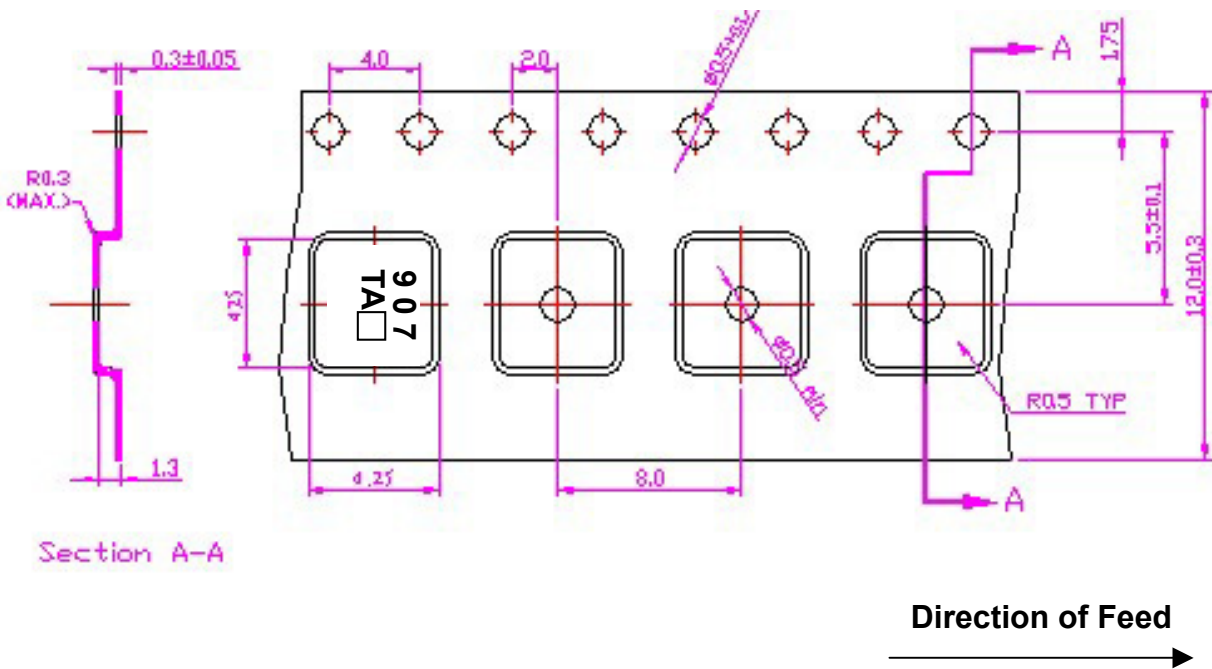
G. PACKING:

1. REEL DIMENSION

(Reel Count : 7"=1000 ; 13"=3000)



2.TAPE DIMENSION



H. RECOMMENDED REFLOW PROFILE :

