

Applications

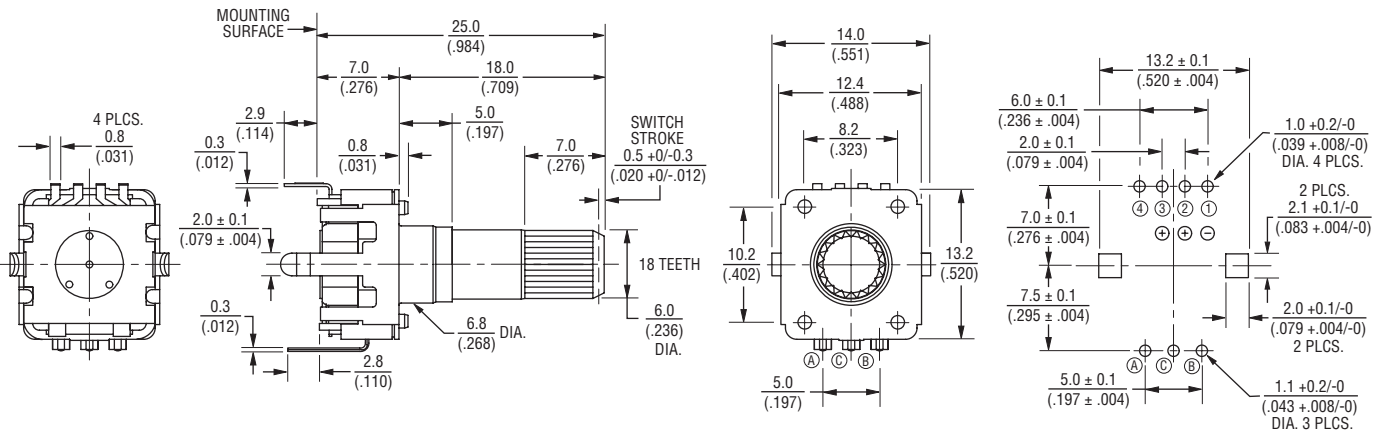
Level control, tuning and timer settings in:

- Audio-visual equipment
- Consumer electric appliances
- Musical instrumentation
- Communications equipment

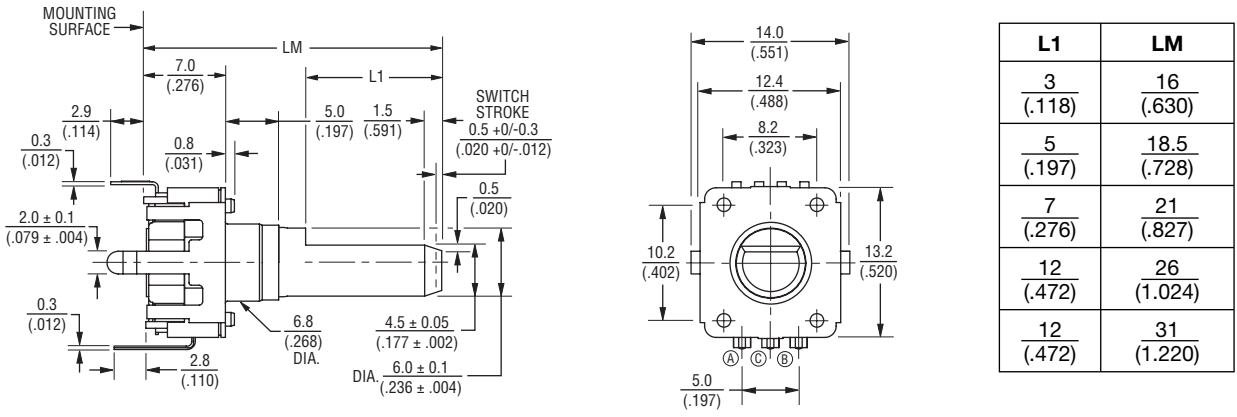
PEL12D - 12 mm Encoder with Switch and Illuminated Shaft BOURNS®

Product Dimensions

PEL12D-4xxxS-Sxxxx (Horizontal Mount w/Dual LED & Switch)

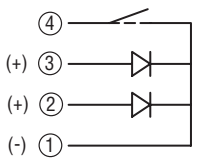


PEL12D-4xxxF-Sxxxx (Horizontal Mount w/Dual LED & Switch)



DIMENSIONS: $\frac{MM}{(INCHES)}$

Dual LED Circuit



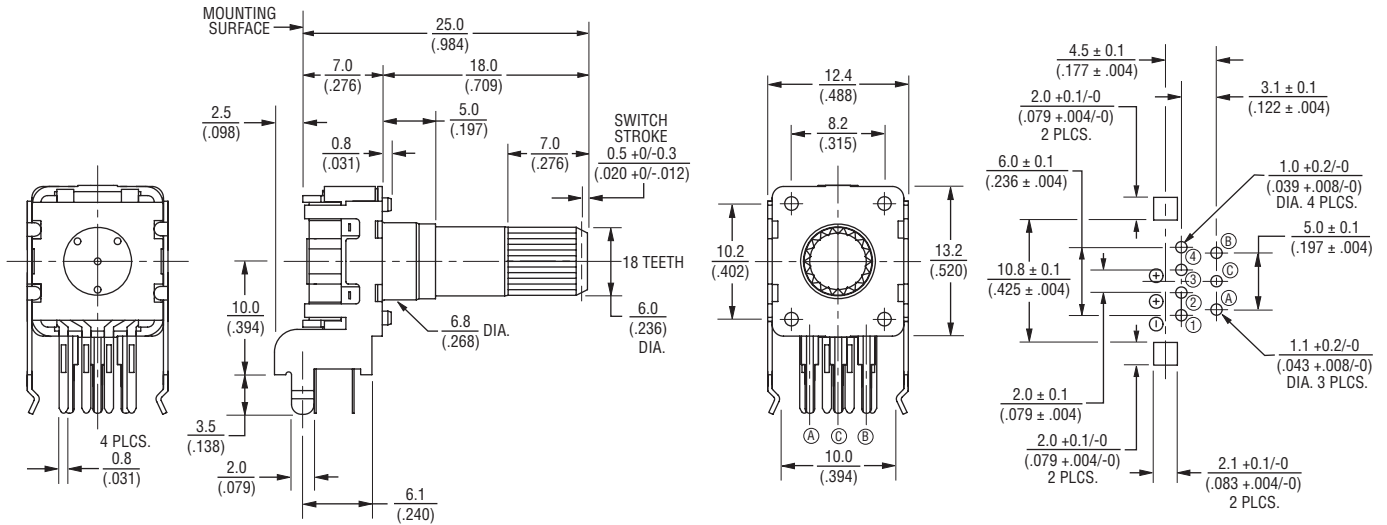
TOLERANCES:
 UNDER $\frac{10.0}{(.394)} = \pm 0.3$ $\frac{10.0 - 100}{(.394 - 3.937)} = \pm 0.5$
 (± 0.012) (± 0.020)

PEL12D - 12 mm Encoder with Switch and Illuminated Shaft

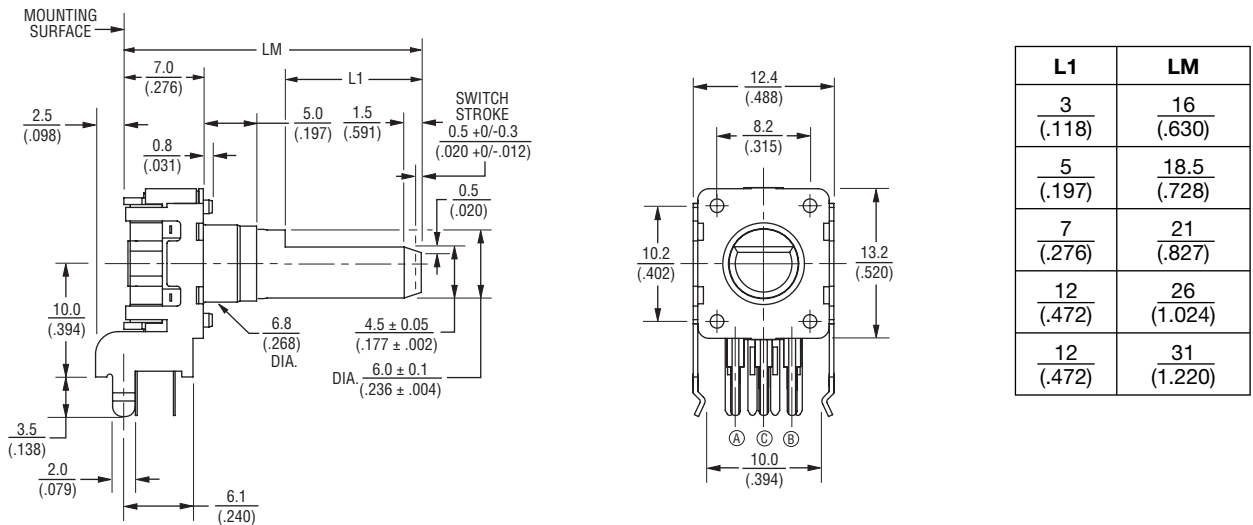


Product Dimensions

PEL12D-2xxxS-Sxxxx (Vertical Mount w/Dual LED & Switch)



PEL12D-2xxxF-Sxxxx (Vertical Mount w/Dual LED & Switch)



L1	LM
3 (.118)	16 (.630)
5 (.197)	18.5 (.728)
7 (.276)	21 (.827)
12 (.472)	26 (1.024)
12 (.472)	31 (1.220)

DIMENSIONS: $\frac{\text{MM}}{\text{(INCHES)}}$

TOLERANCES:
 UNDER $\frac{10.0}{(.394)} = \frac{\pm 0.3}{(\pm 0.012)}$ $\frac{10.0 \sim 100}{(.394 \sim 3.937)} = \frac{\pm 0.5}{(\pm 0.020)}$

Specifications are subject to change without notice.
 Customers should verify actual device performance in their specific applications.

PEL12D - 12 mm Encoder with Switch and Illuminated Shaft



LED Characteristics (Dual)

LED Color		Power Dissipation (mW)	DC Forward Current (mA)	Forward Voltage (V)	
				Typ.	Max.
Blue/Orange	Blue	105	30	3.3	4.0
	Orange	75	30	2.1	2.5
Green/Red	Green	120	30	3.2	4.0
	Red	75	30	1.95	2.5
Blue/Green	Blue	120	30	3.3	4.0
	Green	120	30	3.2	4.0
Red/Green	Red	75	30	1.95	2.5
	Green	120	30	3.2	4.0

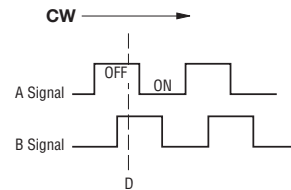
Notes:

Reverse Current: 10 μ A
 Reverse Voltage: 5 VDC
 Test Condition (IF): 20 mA

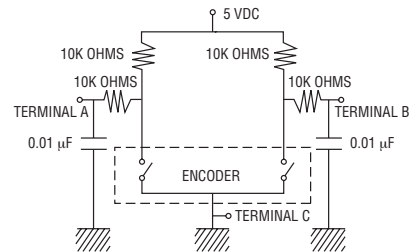
LED Terminal Decoder

Code	Color	Terminals
1	Blue / Orange	① ② / ① ③
2	Green / Red	① ② / ① ③
3	Blue / Green	① ② / ① ③

Quadrature Output Table



Suggested Filter Circuit



Asia-Pacific:

Tel: +886-2 2562-4117
 Fax: +886-2 2562-4116

Europe:

Tel: +41-41 768 5555
 Fax: +41-41 768 5510

The Americas:

Tel: +1-951 781-5500
 Fax: +1-951 781-5700

www.bourns.com