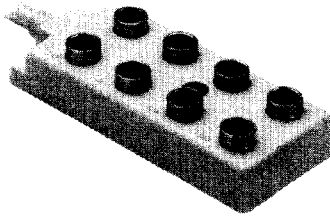


Distribution Box, 8-Port DC Micro Style



DC Micro 8-Port Distribution Box

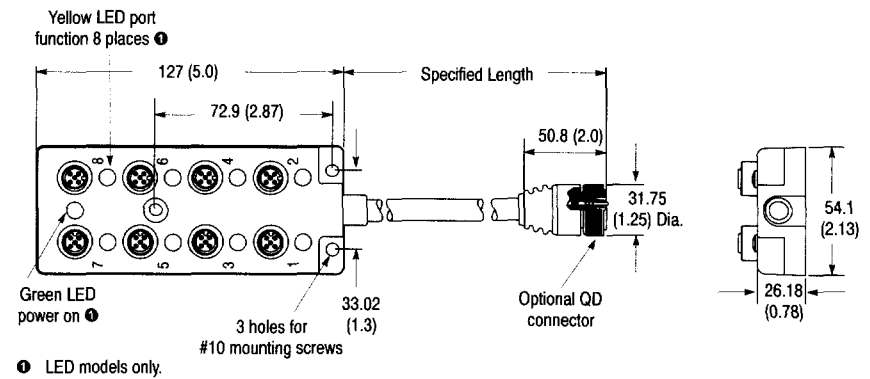
Specifications

Body	Yellow PET
Connector Insert	PUR
Receptacle Shell	Anodized aluminum with clear sealant
Contacts	Gold-plated palladium/nickel
Cable	Oil-resistant yellow PVC jacket, 18AWG conductors, 300V, UL recognized and CSA certified
Cable O.D.	9mm (0.36in)
Temperature	-20°C to +105°C (-4°F to +221°F)

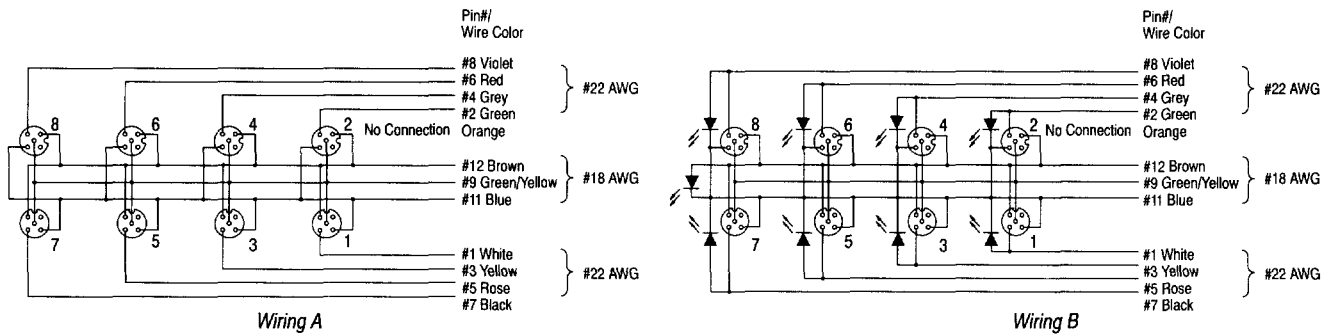
Features

- UL recognized and CSA certified
- Highly visible yellow PET body offers good oil and chemical resistance
- Eight DC micro connectors
- Cable or QD versions
- LED version for use with PNP (sourcing) field devices

Dimensions—mm (in)



Wiring Diagrams



Selection Guide

Face View of Female (8)	Illuminated	Rating	Face View of Male (1)	Cable Length	Wiring	Catalog Number			
<p>For mating male cordsets see page 93; for patchcords see page 94-96.</p>	No LED	10-30V DC 3A	<p>For mating cordsets see page 85.</p>	0.2m (8in)	A	898D-58PT-N12			
	LEDs (PNP)				B	898D-P58PT-N12			
	No LED		Cable	A	5m (16.4ft)	898D-58PT-A5			
	LEDs (PNP)				10m (32.8ft)	898D-58PT-A10			
							B	5m (16.4ft)	898D-P58PT-A5
							B	10m (32.8ft)	898D-P58PT-A10
	Aluminum sealing cap for unused ports							1485A-C3	