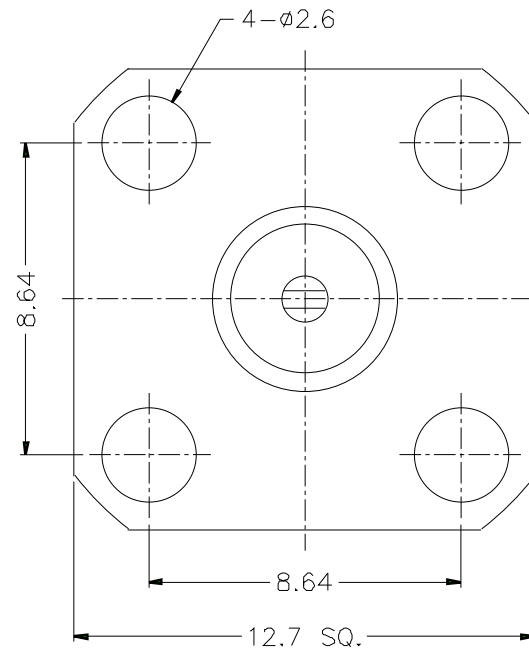
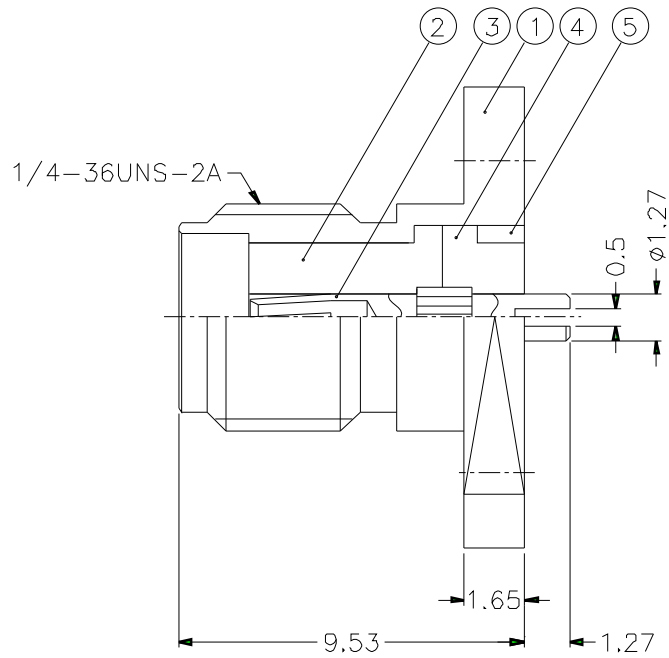


1			2			3			4			5			6			7			8		
REVISIONS																							
ISS	ZONE	DESCRIPTION\PER REQUEST\DATE																					



NOTES: FINISH (PLATING THICKNESS IN MICRO-INCHES)

1. BRASS PER QQ-B-626
2. GOLD PL. 3 MIN. THICK OVER NICKEL PL. 100 MIN. THICK OVER COPPER STRIKE
3. BERYLLIUM COPPER PER QQ-C-530
4. GOLD PL. 50 MIN. THICK OVER NICKEL PL. 100 MIN. THICK OVER COPPER STRIKE
5. TEFLON MIL-P-19468

5 RING						NOTE 1				NOTE 2				1 SMA7530-5-B				DIMENSIONS ARE IN MILLIMETERS				PART NO. SMA6551C1-3GT50G-0.5-50				<h1>Amphenol</h1>															
4 INSULATOR						NOTE 5				NATURAL				1 SMA7530-4T-50				UNLESS OTHERWISE SPECIFIED TOLERANCES				APPROVED								DATE 10-11-01'											
3 CONTACT PIN						NOTE 3				NOTE 4				1 SMA7540-3-05				0.5-6 = ±0.2				CHECKED				DATE 10-11-01'															
2 INSULATOR						NOTE 5				NATURAL				1 SMA7530-2T-50 -B				6-30 = ±0.4				DRAWN				DATE 10-11-01'															
1 BODY						NOTE 1				NOTE 2				1 SMA7530-1-B				30-120 = ±0.6				FILE NO.				DRAWING NO. KJ-SMA6551C1-3GT50G-0.5-50															
NO DESCRIPTION						MATERIAL				FINISH				Q'TY				DRAWING NO.				SCALE				5/1				ISSUE				A				ITEM NO.			

1			2			3			4			5			6			7			8		
---	--	--	---	--	--	---	--	--	---	--	--	---	--	--	---	--	--	---	--	--	---	--	--