

.050" (1,27mm) CABLE PLUG FFMD SERIES

Mates with:
FLE, SFMC

SPECIFICATIONS

For complete specifications see www.samtec.com?FFMD

Insulator Material:

Black Glass Filled Polyester

Terminal:

Phosphor Bronze

Current Rating:

Testing Now!

Operating Temp Range:

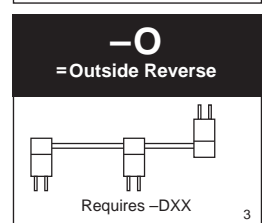
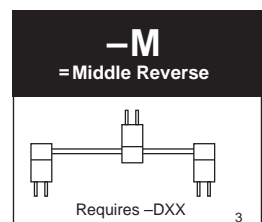
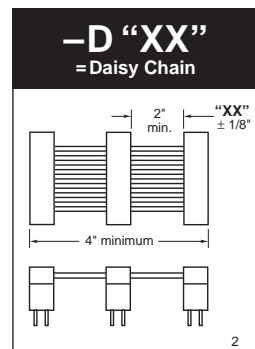
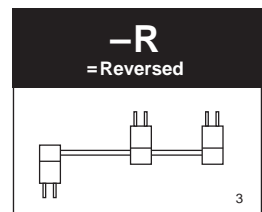
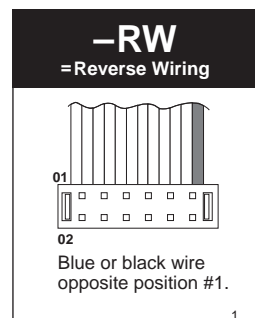
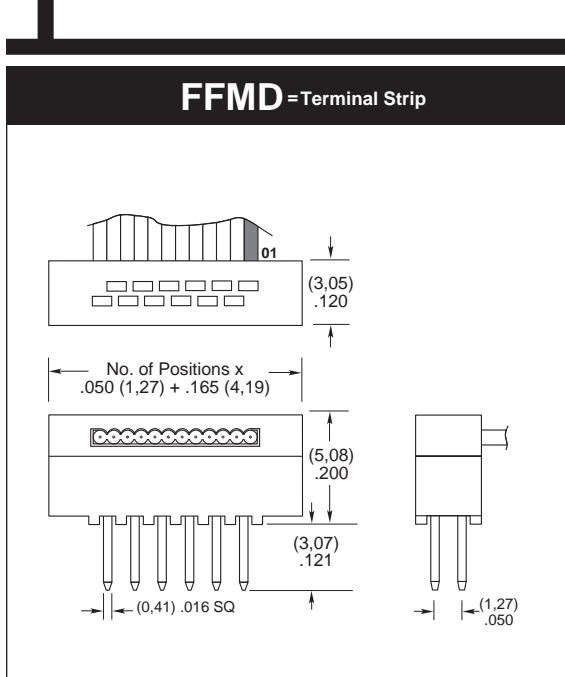
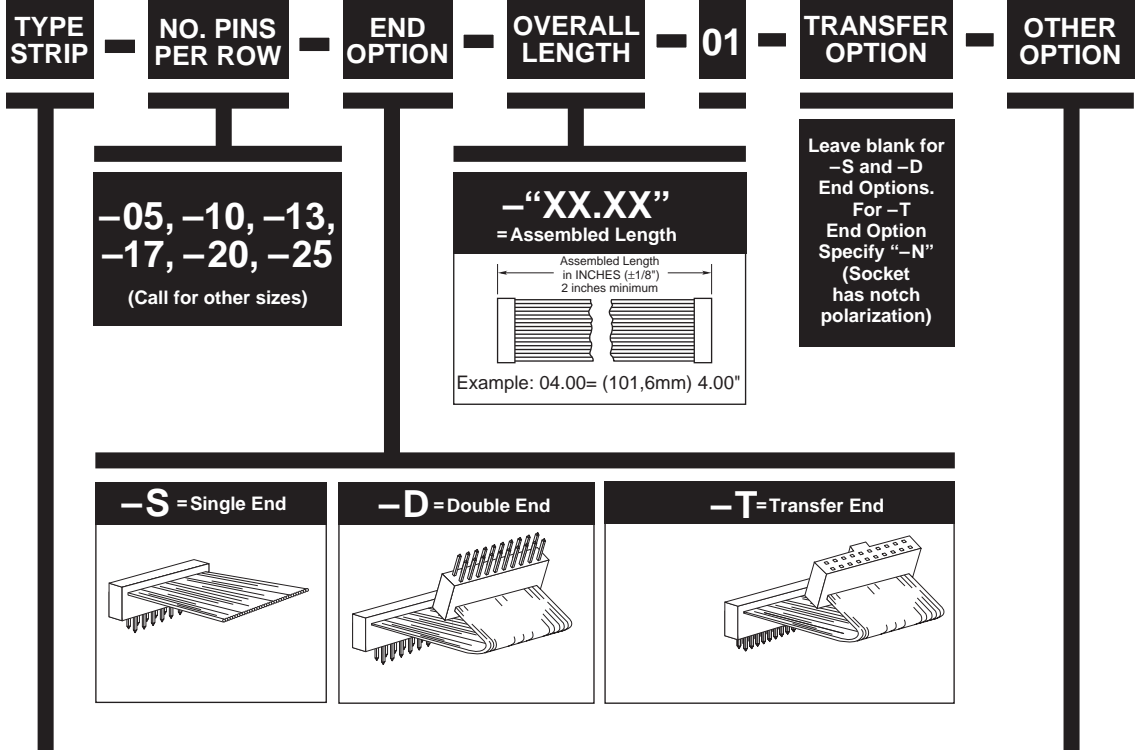
-40°C to +105°C

Plating:

10µ" (0,25µm) Au over 50µ" (1,27µm) Ni

Wire:

30 AWG



Note: This Series is non-standard, non-returnable.

Due to technical progress, all designs, specifications and components are subject to change without notice.

WWW.SAMTEC.COM