

**SPECIFICATIONS**

**Mechanical**

**Contact Retention Force:** 0.30kgf min.  
**Mating force:** 93.56gf max. per contact pair  
**Unmating force:** 9.92~56.13gf per contact pair  
**Durability:** 50 Cycles

**EE Series**

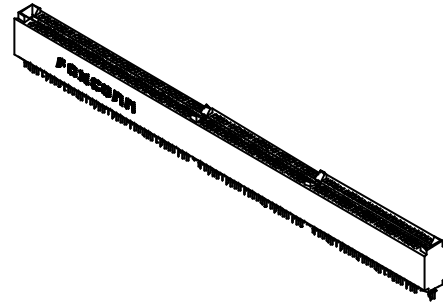
**Vertical Type W/O Retainer, Metal H/D**  
**1.00mm [.039"] Pitch**  
**340 Pos.**

**Electrical**

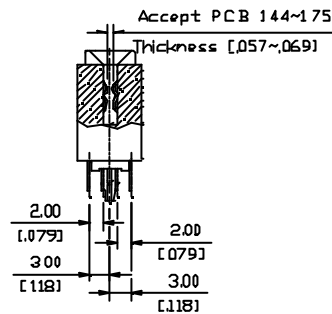
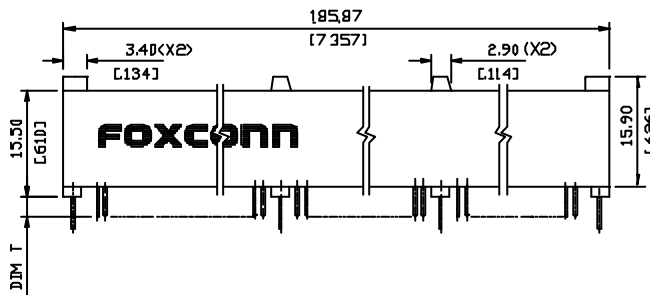
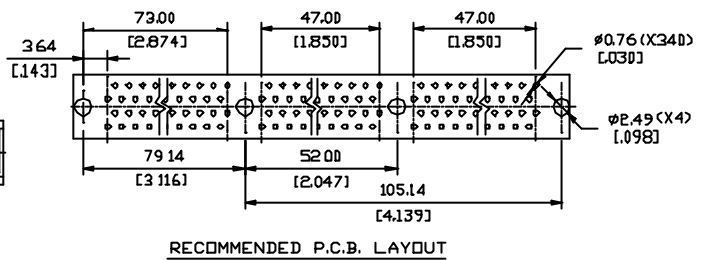
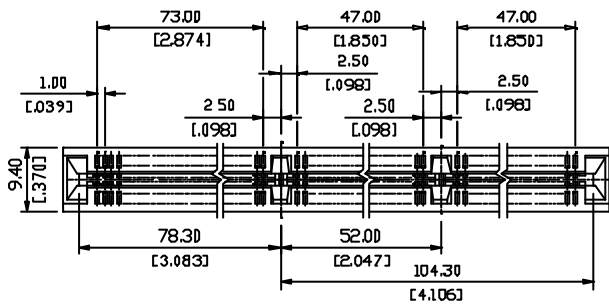
**Current Rating:** 1A max.  
**Contact Resistance:** 10mW max. initial  
**Dielectric Withstanding Voltage:** 400VAC  
**Insulation Resistance:** 800MW min.

**Physical**

**Housing:** Thermoplastic, UL 94V-0 rated, in Brown Color  
**Contact:** Copper alloy  
**Plating:** See "ORDERING INFORMATION"  
**Operating Temperature:** 0 to +85



**DRAWING**



**ORDERING INFORMATION**

PRODUCT NO.: EE 0 H0 \* \* - R M

Series Prefix  
 1.00 [.039] Pitch Edge Card Conn

Termination Type  
 0= Straight

No. of Pos.  
 H0=340Pos.

Tail Length Type  
 0=3.18 [.125]  
 1=2.54 [.101]

Boardlock Type  
 M=Hook Type

Contact Area Plating  
 G=Gold Plating.  
 R=20u" Pd/Ni Plating  
 Q=30u" Pd/Ni Plating  
 T=15u" Pd/Ni Plating

Gold Plating  
 1=Gold Flash  
 2=20u" Gold  
 3=30u" Gold  
 6=10u" Gold  
 7=15u" Gold

EE0H001-**	3.18 [.125]
EE0H051-**	3.00 [.118]
EE0H011-**	2.54 [.100]
P/N	DIM. T