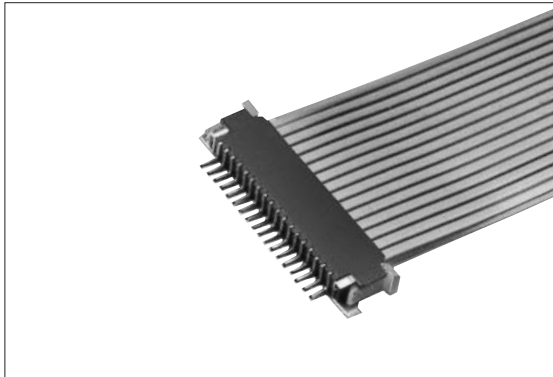


FPC Connector

FP-10^{SU}_{SL} Series 1.0mm Spacing (SMT)



■ Features

1. The contact positions of the connectors are classified into upper and lower types.
2. Of the ZIF structure.
3. Supplied in emboss-tape packaging for automatic mounting.
4. A lead-free product.

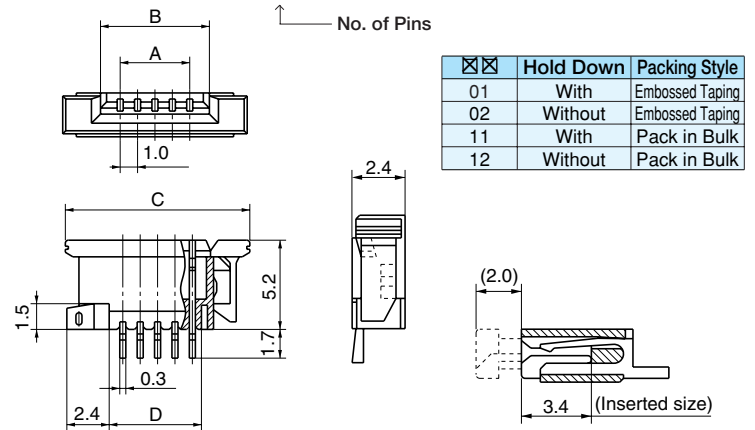
■ Specifications

1. Rating : 0.5A, 50V AC/DC
2. Contact Resistance : 30mΩ, max.
3. Insulation Resistance : 1000MΩ, min. at 500V DC
4. Withstanding Voltage : 500V AC for one minute
5. Operating Temperature Range : -25°C to +70°C

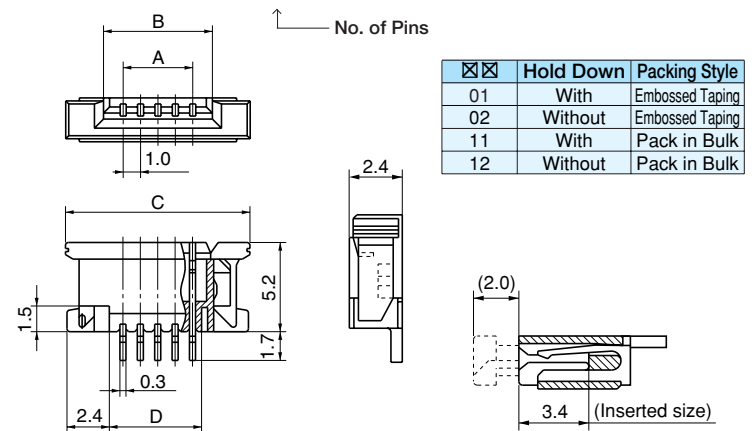
■ Material and Plating

- Housing : Polyphenylene Sulfide (PPS), Natural Color, 94V-0
- Cover : Polyphenylene Sulfide (PPS), Natural Color, 94V-0
- Contact : Phosphor Bronze, Sn Plating
- Frame : Phosphor Bronze, Sn-Cu Plating

● SU Series CFP05□□-02□□F (Upper Contact)

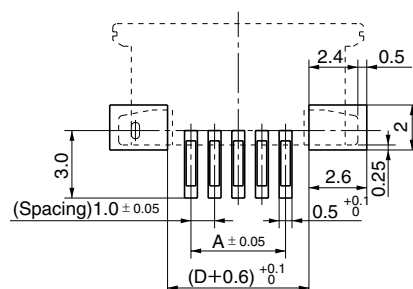


● SL Series CFP15□□-01□□F (Lower Contact)

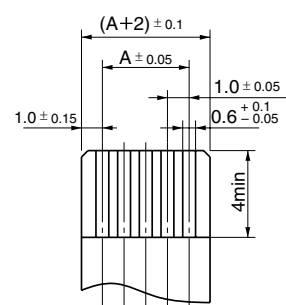


□□ No. of Pins	A	B	C	D	□□ No. of Pins	A	B	C	D
04	3.0	5.1	9.7	4.5	17	16.0	18.1	22.7	17.5
05	4.0	6.1	10.7	5.5	18	17.0	19.1	23.7	18.5
06	5.0	7.1	11.7	6.5	19	18.0	20.1	24.7	19.5
07	6.0	8.1	12.7	7.5	20	19.0	21.1	25.7	20.5
08	7.0	9.1	13.7	8.5	21	20.0	22.1	26.7	21.5
09	8.0	10.1	14.7	9.5	22	21.0	23.1	27.7	22.5
10	9.0	11.1	15.7	10.5	23	22.0	24.1	28.7	23.5
11	10.0	12.1	16.7	11.5	24	23.0	25.1	29.7	24.5
12	11.0	13.1	17.7	12.5	25	24.0	26.1	30.7	25.5
13	12.0	14.1	18.7	13.5	26	25.0	27.1	31.7	26.5
14	13.0	15.1	19.7	14.5	28	27.0	29.1	33.7	28.5
15	14.0	16.1	20.7	15.5	29	28.0	30.1	34.7	29.5
16	15.0	17.1	21.7	16.5	30	29.0	31.1	35.7	30.5

■ P.C. Board Dimension



■ Applicable FPC Dimension (t=0.3±0.05)



- FPC plating to recommend : Sn plating