

Number of contacts

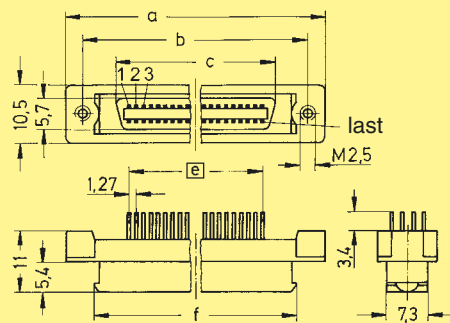
26-68



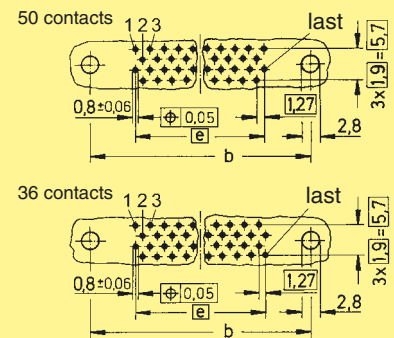
Male and female connectors, straight

Identification	No. of contacts	Part No.	
		Male connector	Female connector
Male and female connectors with straight solder pins	26		60 11 026 5102
	36	60 11 036 5202	60 11 036 5102
	50	60 11 050 5202	60 11 050 5102
	68		60 11 068 5102

Dimensions for male connectors

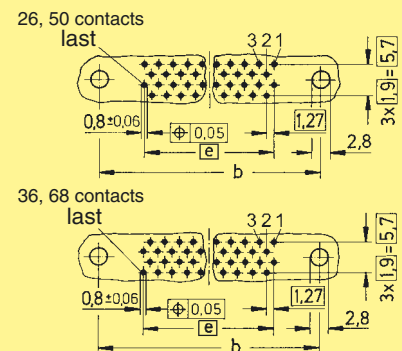
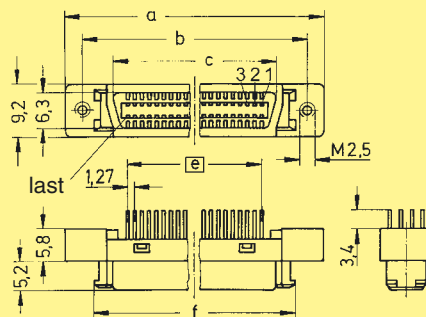


Board drillings

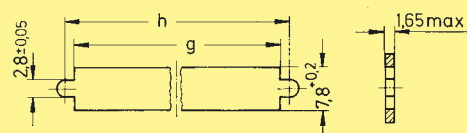


	a	b _{±0.1}	c	e	f	g	h
26	37.16	31.26	20.26	12 x 1.27 = 15.24	27.11	27.50	31.25
36	43.51	37.61	26.61	17 x 1.27 = 21.59	33.46	33.90	37.60
50	52.40	46.50	35.50	24 x 1.27 = 30.48	42.35	42.80	46.50
68	63.83	57.93	46.93	33 x 1.27 = 41.91	53.78	54.20	57.90

Dimensions for female connectors



Panel cut out



Dimensions in mm

harmik