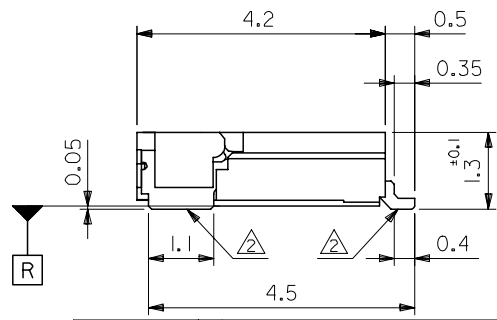
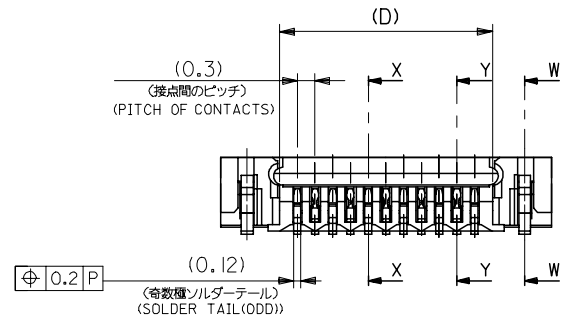


注記 NOTES

- 使用材料 MATERIAL
 ハウジング HOUSING : LCP , UL94V-0
 アクチュエータ ACTUATOR : PA46 , UL94V-0
 ターミナル : リン青銅 (t=0.12) , ニッケル下地, 銅メッキ
 TERMINAL PHOSPHOR BRONZE , TIN COPPER OVER NICKEL PLATING
 金具 : リン青銅 (t=0.2) , ニッケル下地, 銅メッキ
 STOPPER PHOSPHOR BRONZE , TIN COPPER OVER NICKEL PLATING
- ソルダータール半田付け面のズレ量は、基準面 **R** に対し、
 上方向 0MAX , 下方向 0.1MAX , とする。
 又、相互のパラッキ量は 0.1MAX , とする。
 MISALIGNMENT OF SOLDER TAILS AND FITTING NAILS FROM **R**
 UPPER DIRECTION : 0 MAX. , LOWER DIRECTION : 0.1 MAX.
 OFFSET BETWEEN SOLDER TAILS AND FITTING NAILS : 0.1 MAX.
- 一般公差 : ±0.3
 GENERAL TOLERANCES : ±0.3

15.6	15.0	14.4	17.6	54809-5157	51
13.8	13.2	12.6	15.8	54809-4557	45
12.6	12.0	11.4	14.6	54809-4157	41
12.0	11.4	10.8	14.0	54809-3957	39
10.8	10.2	9.6	12.8	54809-3557	35
10.2	9.6	9.0	12.2	54809-3357	33
9.6	9.0	8.4	11.6	54809-3157	31
8.4	7.8	7.2	10.4	54809-2757	27
7.8	7.2	6.6	9.8	54809-2557	25
6.6	6.0	5.4	8.6	54809-2157	21
6.0	5.4	4.8	8.0	54809-1957	19
4.8	4.2	3.6	6.8	54809-1557	15
3.6	3.0	2.4	5.6	54809-1157	11
D	C	B	A	MATERIAL NO.	CKT.
				54809-***57	MODEL NO.

無鉛
LEAD FREE



REVISED EC NO: J2006-2559 DR: WNESATO 2006/02/28 CHK: DANUKITA 2006/02/28 APPR: NUKITA 2006/02/28	DESCRIPTION	GENERAL TOLERANCES (UNLESS SPECIFIED)	DIMENSION STYLE MM ONLY	SCALE ---	DESIGN UNITS METRIC	THIRD ANGLE PROJECTION	
	REV A	10 UNDER ± --- 10 OVER 30 UNDER ± --- 30 OVER ± --- ANGULAR ± --- °	DRAWN BY RSUMIYA 2003/02/20	TITLE 0.3 FPC CONN E/O HSG ASSY LEAD FREE (H=1.3)	MOLEX INCORPORATED		
		DRAFT WHERE APPLICABLE MUST REMAIN WITHIN DIMENSIONS	CHECKED BY SKUNISHI 2003/02/20	MATERIAL NO. SEE CHART		DOCUMENT NO. SD-54809-030	SHEET NO. 1 OF 2
			APPROVED BY TYAMAGUCHI 2003/02/20	THIS DRAWING CONTAINS INFORMATION THAT IS PROPRIETARY TO MOLEX INCORPORATED AND SHOULD NOT BE USED WITHOUT WRITTEN PERMISSION			

10 9 8 7 6 5 4 3 2 1

F

E

D

C

B

A

F

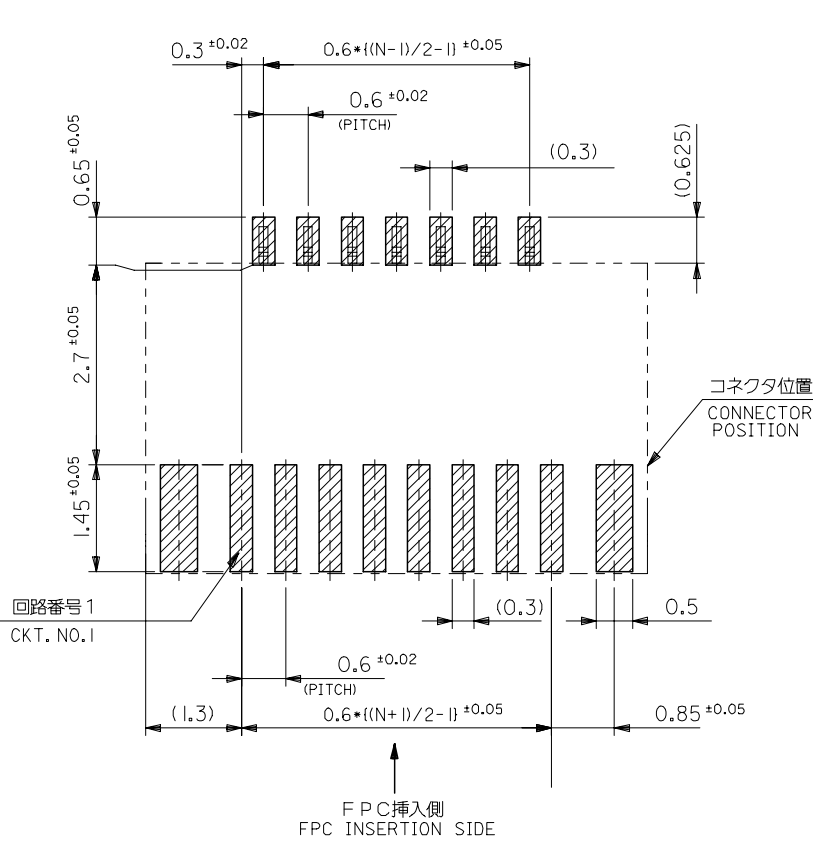
E

D

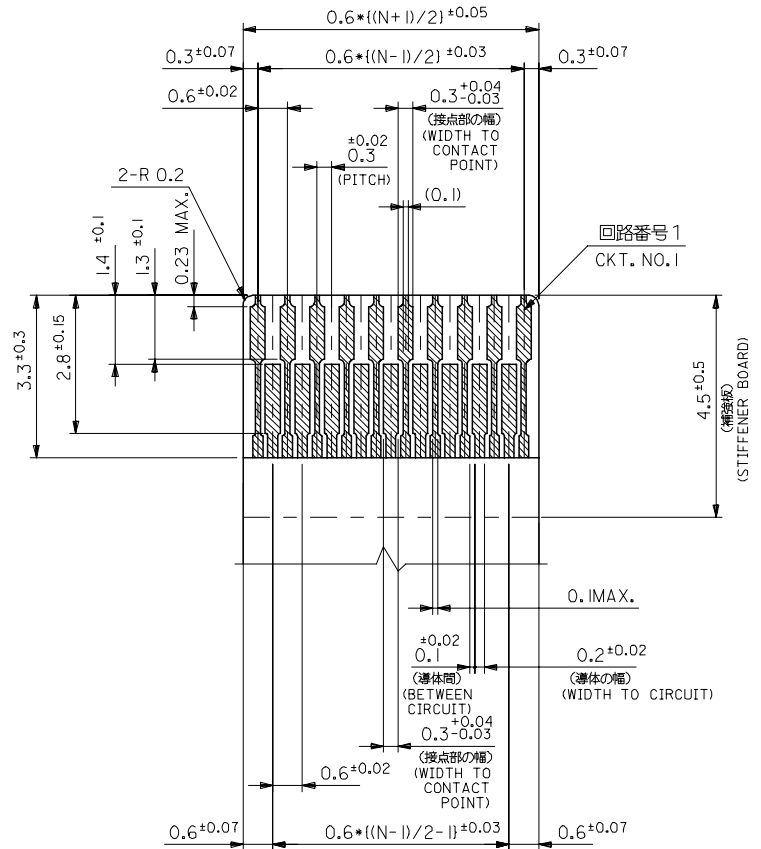
C

B

A



参考基板レイアウト
RECOMMENDED P.C.BOARD
PATTERN DIM. (REF.)
(マウント面)
(MOUNTING SIDE)



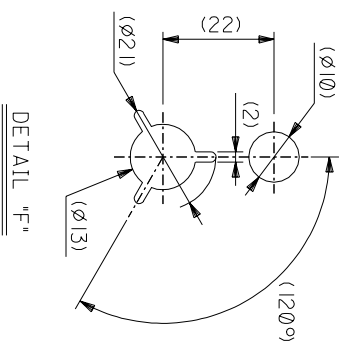
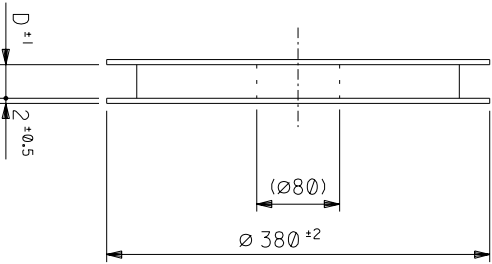
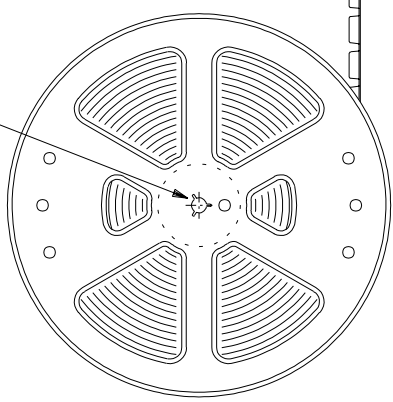
適合FPC推奨寸法
APPLICABLE FPC
RECOMMENDED DIM.
(仕上がり厚さ: 0.2 ±0.03)
(THICKNESS : 0.2 ±0.03)

無鉛
LEAD FREE

REVISED EC NO: J2006-2559 DRW:ESATO 2006/02/28 CHKD:NUKITA 2006/02/28 APPR:NUKITA 2006/02/28	GENERAL TOLERANCES (UNLESS SPECIFIED)		DIMENSION STYLE MM ONLY		SCALE ---	DESIGN UNITS METRIC	THIRD ANGLE PROJECTION
	10 UNDER	± ---	DRAWN BY RSUMIYA	DATE 2003/02/20	TITLE 0.3 FPC CONN E/O HSG ASSY LEAD FREE		
	10 OVER 30 UNDER	± ---	CHECKED BY SKUNISHI	DATE 2003/02/20	MOLEX INCORPORATED		
	30 OVER	± ---	APPROVED BY TYAMAGUCHI	DATE 2003/02/20	DOCUMENT NO. SD-54809-030		
A	DESCRIPTION	ANGULAR	± --- °	MATERIAL NO.	SEE CHART		SHEET NO. 2 OF 2
DRAFT WHERE APPLICABLE MUST REMAIN WITHIN DIMENSIONS		SIZE A3		THIS DRAWING CONTAINS INFORMATION THAT IS PROPRIETARY TO MOLEX INCORPORATED AND SHOULD NOT BE USED WITHOUT WRITTEN PERMISSION			

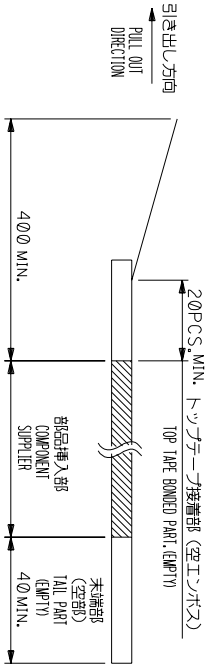
54809-**-57 MODEL NO.

引き出し方向
PULL OUT

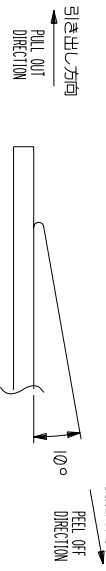


注記 NOTES

- 製品詳細寸法については、図面SD-54809-030を参照下さい、RE DETAILED DIMENSION, SEE SD-54809-030.
- 梱包数量: 2500個/リール
NUMBER OF CONNECTORS: 2500PCS/REEL
- リールテープ長さ LEAD TAPE LENGTH



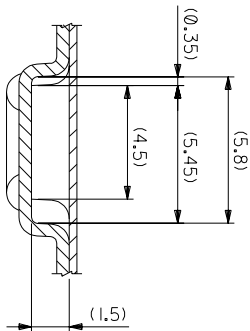
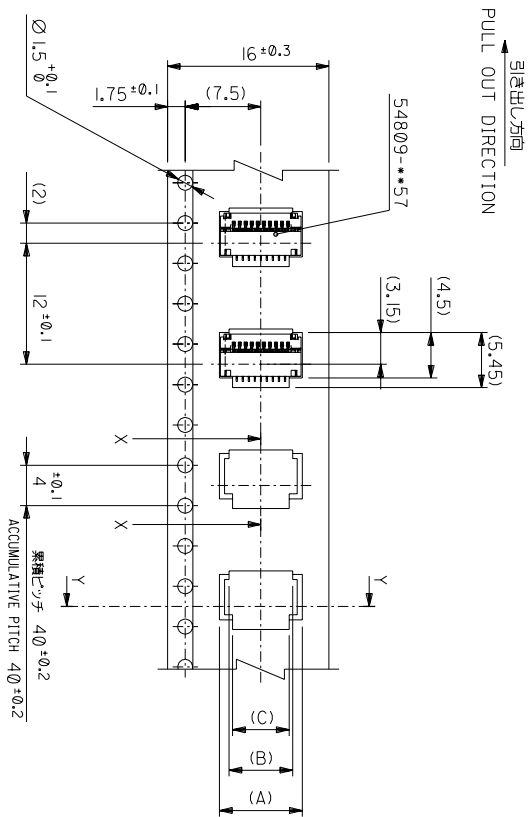
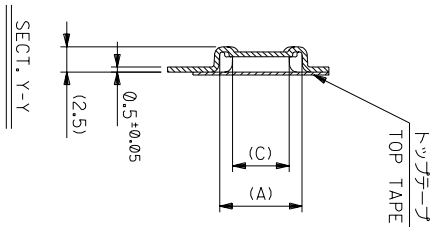
4. トッパテープの剥離強度: 0.1N~0.7N (10.2gf~71.4gf) (剥離方向は下図参照)
 尚、本規格値は出荷時に適用。(但し、輸送時に剥離が発生しないこと。)
 PEELING OFF FORCE OF TOP TAPE: 0.1N~0.7N(10.2gf~71.4gf)
 (PEELING DIRECTION AS SHOWN IN FOLLOWING FIG.)
 THIS REQUIREMENT SHOULD BE APPLIED AT SHIPMENT.
 PEEL OFF SHOULD NOT BE ALLOWED, DURING TRANSPORTATION.



5. 材料 (MATERIAL)
 キャリアテープ (CARRIER TAPE): ポリプロピレン (POLYPROPYLENE)
 トッパテープ (TOP TAPE): PET, PE, PEF
 リール (REEL): ポリスチレン (PS) <リサイクル材を含む>
 POLYSTYRENE(PS) <RECYCLE MATERIAL CONTAINED>

無鉛
LEAD FREE

8	EC NO. DRWN: CH'K: APPR:	EC NO. DRWN: CH'K: APPR:	EC NO. DRWN: CH'K: APPR:	EC NO. DRWN: CH'K: APPR:	REV	DESCRIPTION	MATERIAL	GENERAL TOLERANCES: (UNLESS SPECIFIED)	SCALE	DESIGN UNITS	MODEL NO.	DIMENSIONS:	SHT	REV
7						RELEASED EC NO. J2003-1090 DRWN:R.SUMIYA '03/02/20 CH'K: S.KUNISHI '03/02/20 APPR:T.YAMAGUCHI '03/02/20	注記参照 SEE NOTES	10 UNDER 10 OVER 30 UNDER 10 OVER 30 UNDER 30 OVER ANGLE 角度	54809-**-94	THIRD ANGLE PROJECTION		mm mm mm mm mm		
6									1:1	mm	54809-031S01	mm		
5									DRAWN BY & DATE R.SUMIYA '03/02/20	MOLEX INCORPORATED	mm			
4									CHECKED BY & DATE S.KUNISHI '03/02/20	EMBSTP PKG FOR 0.3 FPC CON E/O (LEAD FREE) (H=1.3)	mm			
3									APPROVED BY & DATE T.YAMAGUCHI '03/02/20	MOLEX INCORPORATED	mm			
2									CAD FILENAME SD-54809-031S01	MOLEX INCORPORATED	mm			
1										MOLEX INCORPORATED	mm			
THIS DRAWING CONTAINS INFORMATION THAT IS PROPRIETARY TO MOLEX INCORPORATED AND SHOULD NOT BE USED WITHOUT WRITTEN PERMISSION.														

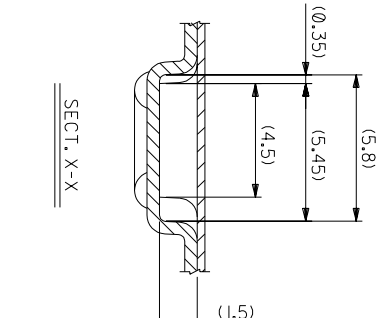
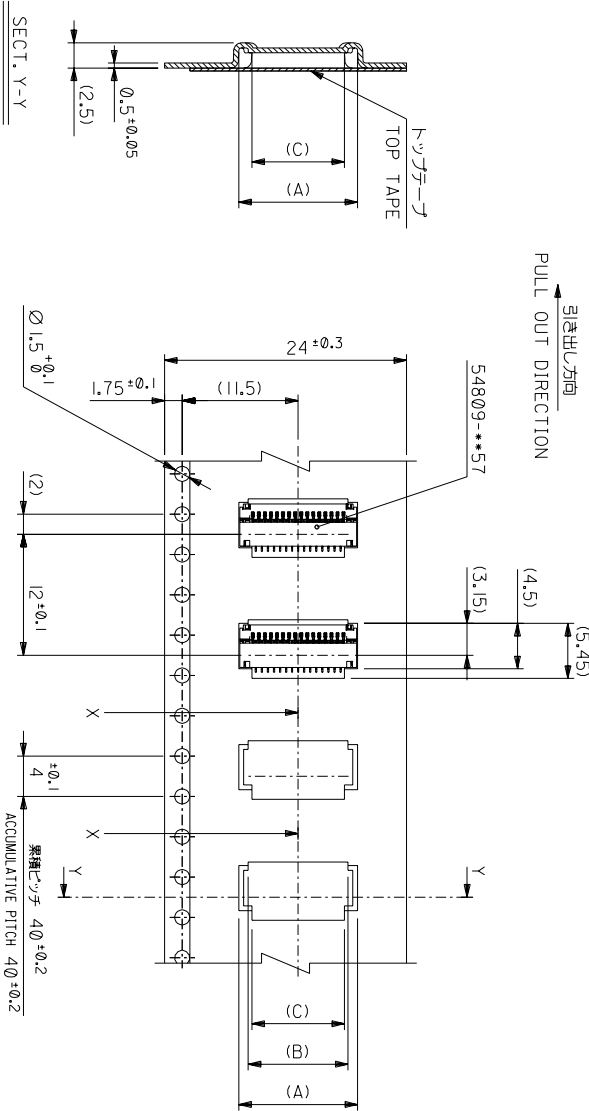


16mm幅キヤリアーテープ
16mm WIDTH CARRIER TAPE

無鉛
LEAD FREE

キャリアーテープ幅 CARRIER TAPE WIDTH	D	C	B	A	MATERIAL NO.	總数 PKT.
16	6.2	6.9	8.8	54809-2194	21	
	5.6	6.3	8.2	54809-1994	19	
	4.4	5.1	7.0	54809-1594	15	
	3.2	3.9	5.8	54809-1194	11	

EC NO. DRWN: CH'K: APPR:		EC NO. DRWN: CH'K: APPR:		EC NO. DRWN: CH'K: APPR:		EC NO. DRWN: CH'K: APPR:	
RELEASED EC NO. J2003-1090 DRWN:R.SUMIYA 03/02/20 CH'K: S.KUNISHI 03/02/20 APPR:T.YAMAGUCHI 03/02/20							
REV	DESCRIPTION						
MATERIAL 材料 注記参照 SEE NOTES		GENERAL TOLERANCES: (UNLESS SPECIFIED) 無公差		SCALE DESIGN UNITS <input checked="" type="checkbox"/> MM <input type="checkbox"/> INCH		MODEL NO. THIRD ANGLE PROJECTION <input type="checkbox"/> THIRD ANGLE <input checked="" type="checkbox"/> FIRST ANGLE	
WIRE RANGE 適用電線番号 被覆外径		10 UNDER 10 OVER 30 UNDER 30 OVER 以上		DRAWN BY & DATE R.SUMIYA 03/02/20		DIMENSIONS: <input type="checkbox"/> MM <input type="checkbox"/> INCH <input type="checkbox"/> MM <input checked="" type="checkbox"/> INCH	
FINISH 仕上げ		10 UNDER 10 OVER 30 UNDER 30 OVER 以上		CHECKED BY & DATE S.KUNISHI 03/02/20		SHT REV	
ANGLE 角度		±3°		APPROVED BY & DATE T.YAMAGUCHI 03/02/20		REVISION ON CAD ONLY	
				CAD FILENAME SD-54809-031.S02		SHEET NO. REVISE ON CAD ONLY	
				TITLE: Embstp Pkg FOR 0.3 FPC Conn E/O (LEAD FREE) (H=1.3)		SIZE 2 OF 4 B	
				MATERIAL NO. SEE CHART MOLEX INCORPORATED		DRAWING NO. SD-54809-031	
				THIS DRAWING CONTAINS INFORMATION THAT IS PROPRIETARY TO MOLEX INCORPORATED AND SHOULD NOT BE USED WITHOUT WRITTEN PERMISSION.		EN-02J(097) MXJ-54	



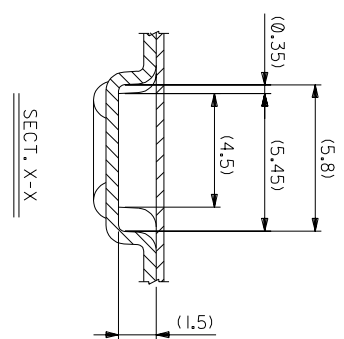
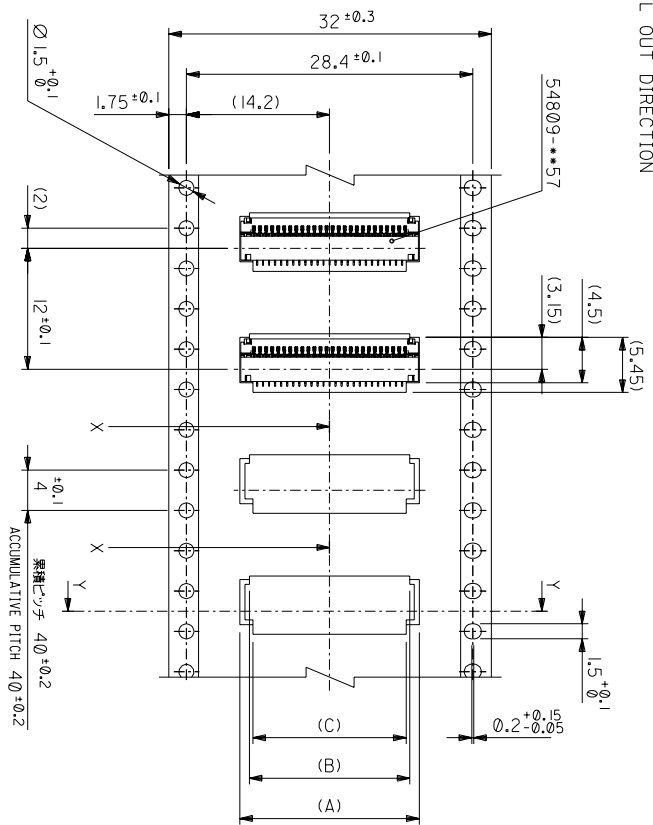
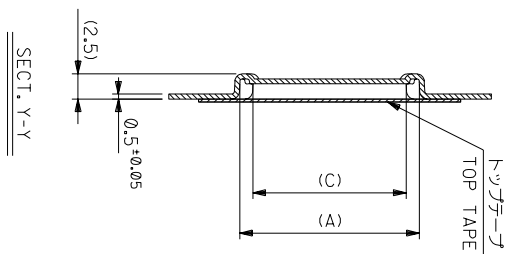
24mm幅キャリアテープ
24mm WIDTH CARRIER TAPE

無鉛
LEAD FREE

8	EC NO. DRWN: CH'K: APPR:	EC NO. DRWN: CH'K: APPR:	EC NO. DRWN: CH'K: APPR:	EC NO. DRWN: CH'K: APPR:
6	RELEASED EC NO. J2003-1090 DRWN:R.SUMIYA '03/02/20 CH'K: S.KUNISHI '03/02/20 APPR:T.YAMAGUCHI '03/02/20			

REV	DESCRIPTION	MATERIAL
INS. RANGE	適用電線範囲	被覆外径
///	///	///
///	///	///
///	///	///

SCALE	DESIGN UNITS	MODEL NO.	DIMENSIONS:	SHT	REV
1:1	mm	54809-***94	mm		
DRAWN BY & DATE	CHECKED BY & DATE	APPROVED BY & DATE	mm	REVISE ON	
R.SUMIYA '03/02/20	S.KUNISHI '03/02/20	T.YAMAGUCHI '03/02/20	mm	CAD ONLY	
CAD FILENAME	TITLE:		mm	REVISE ON	
SD-54809-031.S03	Embstp Pkg FOR 0.3 FPC		mm	CAD ONLY	
THIS DRAWING CONTAINS INFORMATION THAT IS PROPRIETARY TO MOLEX INCORPORATED AND SHOULD NOT BE USED WITHOUT WRITTEN PERMISSION.		MATERIAL NO.		SHEET NO.	
		SEE CHART		3 OF 4	
		MOLEX INCORPORATED		SIZE	
				B	



無鉛
LEAD FREE

8	EC NO. DRWN: CH'K: APPR:	EC NO. DRWN: CH'K: APPR:	EC NO. DRWN: CH'K: APPR:	EC NO. DRWN: CH'K: APPR:
6	RELEASED EC NO. J2003-1090 DRWN:R.SUMIYA 03/02/20 CH'K: S.KUNISHI 03/02/20 APPR:T.YAMAGUCHI 03/02/20			

REV	DESCRIPTION	MATERIAL
0	WIRE RANGE 適用電線範囲 被覆外径	注記参照 SEE NOTES
1	FINISH 仕上り	
2	ANGLE 角度	

SCALE	DESIGN UNITS	MODEL NO.	DIMENSIONS:	SHT	REV
1:1	mm	D	mm	4	1
DRAWN BY & DATE	CHECKED BY & DATE	APPROVED BY & DATE	CAD FILENAME	MATERIAL NO. DRAWING NO. SHEET NO.	
R.SUMIYA 03/02/20	S.KUNISHI 03/02/20	T.YAMAGUCHI 03/02/20	SD-54809-031.S04	SD-54809-031	4 OF 4

GENERAL TOLERANCES: (UNLESS SPECIFIED)	ANGLE	30° OVER	30° UNDER
±0.2	±0.3	±0.25	±0.2