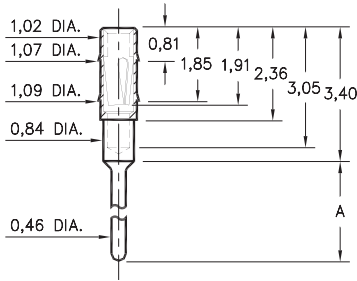




PIN RECEPTACLES
 for 0,38 - 0,51 diameter pins (#11 contact)
 and 0,38 - 0,56 diameter pins (#05 & #21 contacts)
 (see specific contact range on page 217)



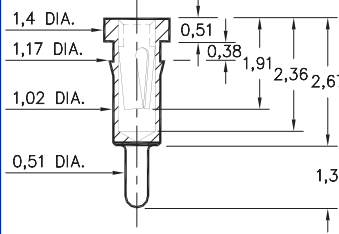
0489



Basic Part Number	Length A
0489-0	2,59
0489-1	5,05
0489-2	7,59

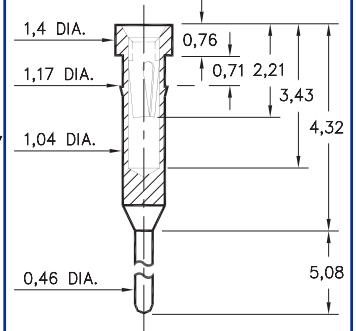
0489-X-15-XX-11-XX-04-0
 Press-fit in 1,04 mounting hole.

0463



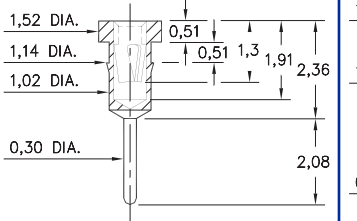
0463-0-15-XX-21-XX-04-0
 Press-fit in 1,09 mounting hole.
 shell is Phos. Br. Alloy 544 (B2)

0466



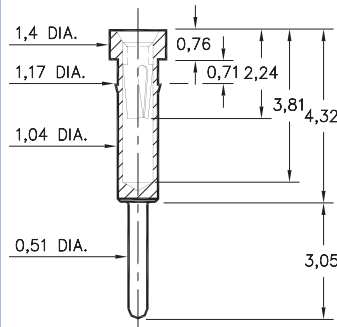
0466-0-15-XX-21-XX-04-0
 Press-fit in 1,09 mounting hole.
 shell is Phos. Br. Alloy 544 (B2)

7491



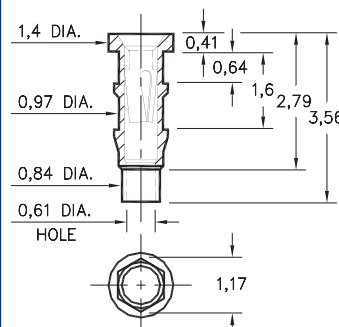
7491-0-15-XX-X1-XX-04-0
 Press-fit in 1,07 mounting hole

0462



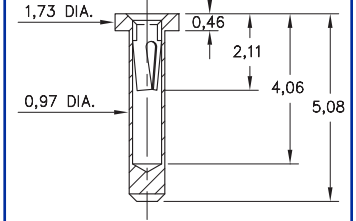
0462-0-15-XX-X1-XX-04-0
 Press-fit in 1,09 mounting hole

0560



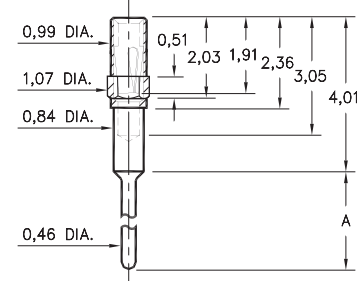
0560-0-15-XX-11-XX-10-0
 Hex press-fit in 1,09 plated thru hole

5552



5552-0-15-XX-05-XX-10-0
 Solder mount in 1,02 min. mounting hole

4890



Basic Part Number	Length A
4890-0	2,59
4890-1	5,05
4890-2	7,59

4890-X-15-XX-11-XX-04-0
 Octagonal press-fit in 1,04 mounting hole.

SPECIFICATIONS

SHELL MATERIAL:
 Brass Alloy 360, 1/2 Hard

CONTACT MATERIAL:
 Beryllium Copper Alloy 172, HT

DIMENSION IN INCHES TOLERANCES ON:
 LENGTHS: ±0,13
 DIAMETERS: ±0,05
 ANGLES: ± 2°

ORDER CODE: XXXX - X - 15 - XX - XX - XX - XX - 0

BASIC PART #

- SPECIFY SHELL FINISH:**
- 01 5,08µm TIN/LEAD OVER NICKEL
 - ◇ 80 5,08µmTIN OVER NICKEL (RoHS)
 - ◇ 15 0,25µm GOLD OVER NICKEL (RoHS)

- SPECIFY CONTACT FINISH:**
- 02 2,54µm TIN/LEAD OVER NICKEL
 - ◇ 84 2,54µm TIN OVER NICKEL (RoHS)
 - ◇ 27 0,76µm GOLD OVER NICKEL (RoHS)



SELECT CONTACT

#05, #11 or #21 CONTACT (DATA ON PAGE 217)