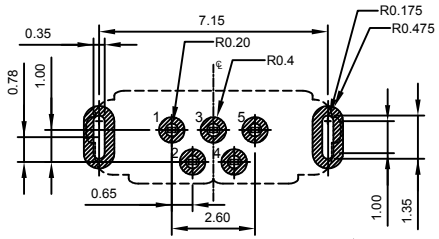
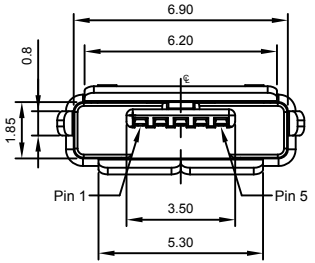
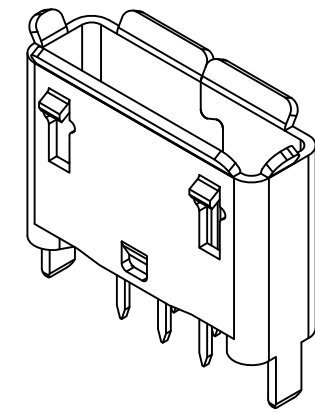
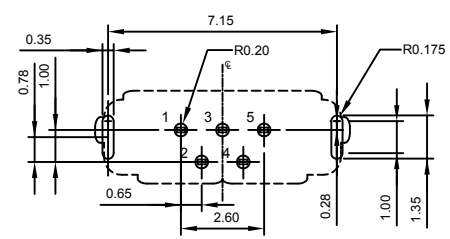


Designed to comply with physical, electrical and environmental requirements of Micro USB Standard (USB2.0), A/B types support USB On-The-GO (OTG) interface.

If you seek longer shell stakes for a thicker PCB (for example 1.60mm (.062")) please see USB3106.

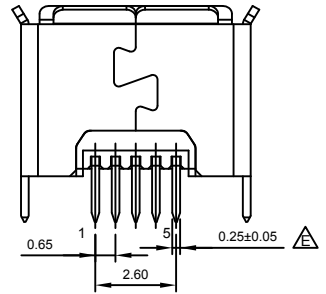


RECOMMENDED P.C.B LAYOUT (PASTE-IN-HOLE)



RECOMMENDED P.C.B LAYOUT (WAVE SOLDER)

GENERAL TOLERANCE: ± 0.05
AS VIEWED FROM COMPONENT SIDE



Ordering Grid
USB3105 - **30** - **A** REQUEST SAMPLES AND QUOTATION
 Contact Plating
 30 = 30 μ " Gold
 Packing Options
 A = Tape & Reel
 (1.5K per Reel)

Specifications 规格:

Materials 材料:
 Plastic Housing 塑胶外壳: LCP, UL94V-0, Black, LCP, UL94V-0 黑色
 Contact Terminal 接触端子: Copper Alloy 铜合金
 Metallic Shell 金属外壳: Stainless Steel 不锈钢 SUS304 T=0.2mm

Finish 表面处理:
 Underplating 底层电镀: Nickel 镍 100 μ " min.
 Plating 电镀:
 Contact Area 接触面积: 30 μ " Gold plating, 30 μ " 镀金
 Solder Tails 焊接末端: Gold Flash 闪金
 Metallic Shell 金属外壳: Nickel 镍 100 μ " min.

Electrical 电气规格:
 Voltage Rating 电压额定值: 30V
 Current Rating 电流额定值: Signal (Pins 2,3,4) 信号: 1.0 A \triangle
 Power (Pins 1,5) 电源: 1.8 A
 Operating Temperature 工作温度: -55°C to +85°C
 Contact Resistance 接触电阻值: 30 m Ω max.
 Insulating Resistance 绝缘电阻值: 1000 M Ω min.
 Dielectric Withstand Voltage 耐电压: 100 V AC/minute

Mechanical 机械性规格:
 Mating Force 插入力: 35N Max.
 Unmating Force 拔出力: Initial 10N Min., 初始 10N
 Final 8N Min., 最后 8N
 Durability 耐久性: 10,000 Cycles 次插拔

By	SA	SA	CM	CM	AJO
DETAIL	DRAWING RELEASE	PCN USB3105-001	DRAWING UPDATE	PCN USB3105-002	TOLERANCES ADDED
REV	A	B	C	D	E
DATE	04/04/11	22/06/11	17/10/11	23/01/12	07/03/13

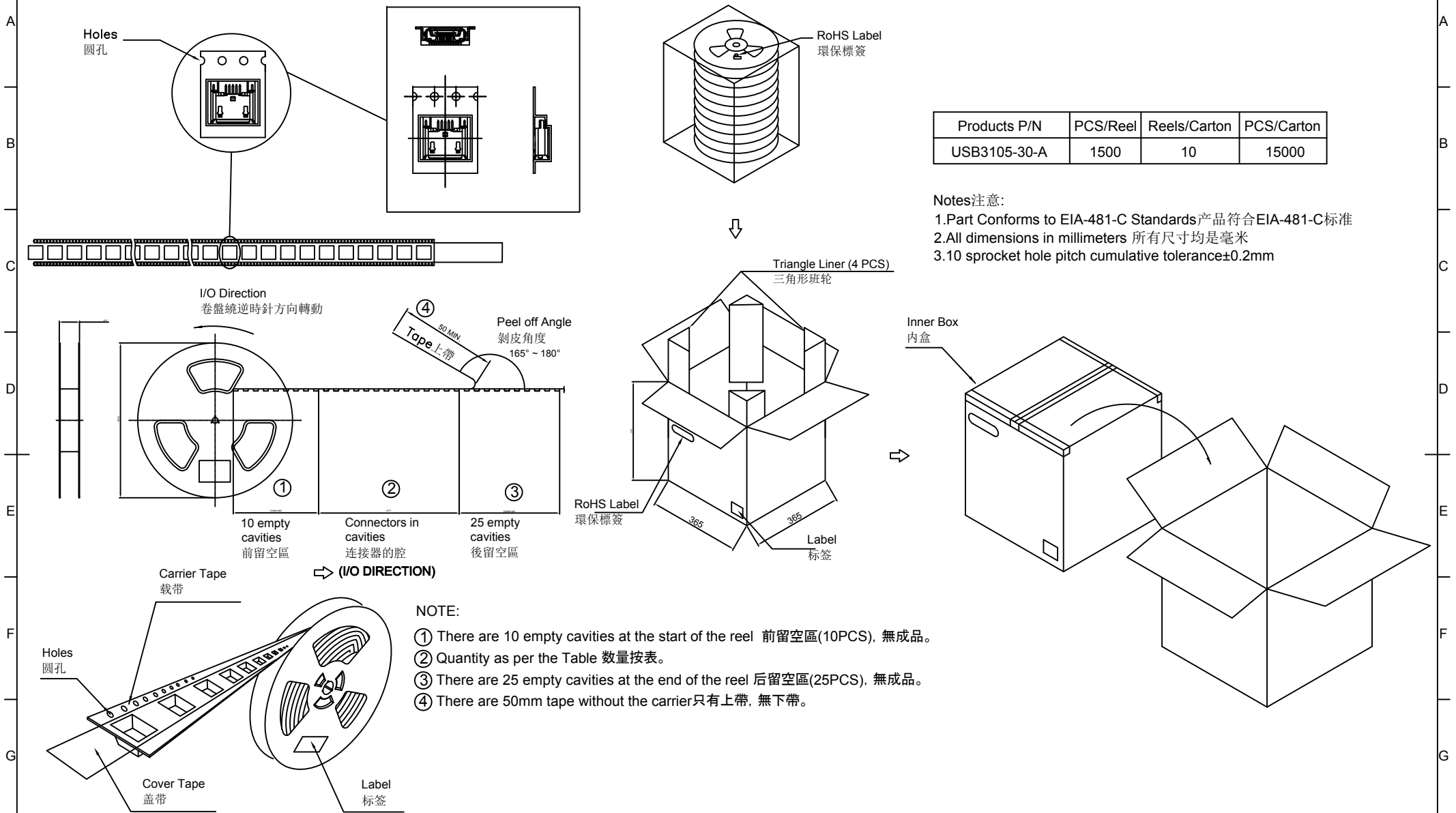


Tolerances (Except as noted)	Part Number:-	Date:-
Dimensions in mm	USB3105	04 APR 11
X.X \pm 0.35	Description:-	
X.XX \pm 0.25	μ USB Receptacle, Type AB, Through-Hole, Vertical, with 1.5mm Through-Hole Shell Stakes	
Third Angle Projection	THIS DRAWING IS CONFIDENTIAL AND MUST NOT BE COPIED OR DISCLOSED WITHOUT WRITTEN CONSENT	



Scale NTS	Revision E	Material See Note	Drawn by SA	E & OE	Sheet No. 1/2
-----------	------------	-------------------	-------------	--------	---------------

Global Connector Technology Ltd. - USB3105: μ USB Receptacle, Type AB, Through-Hole, Vertical, with 1.5mm Through-Hole Shell Stakes



Products P/N	PCS/Reel	Reels/Carton	PCS/Carton
USB3105-30-A	1500	10	15000

Notes注意:

- 1.Part Conforms to EIA-481-C Standards 产品符合EIA-481-C标准
- 2.All dimensions in millimeters 所有尺寸均是毫米
- 3.10 sprocket hole pitch cumulative tolerance \pm 0.2mm

By	SA	SA	CM	CM	AJO
DETAIL	DRAWING RELEASE	PCN USB3105-001	DRAWING UPDATE	PCN USB3105-002	TOLERANCES ADDED
REV DATE	A 04/04/11	B 22/06/11	C 17/10/11	D 23/01/12	E 07/03/13



Tolerances (Except as noted)	Part Number:-	Date:-
Dimensions in mm	USB3105	04 APR 11
Description:-		
μ USB Receptacle, Type AB, Through-Hole, Vertical, with 1.5mm Through-Hole Shell Stakes		
THIS DRAWING IS CONFIDENTIAL AND MUST NOT BE COPIED OR DISCLOSED WITHOUT WRITTEN CONSENT		

GCT
www.gct.co

Scale NTS	Revision E	Material See Note	Drawn by SA	Sheet No. E & OE 2/2
-----------	------------	-------------------	-------------	----------------------