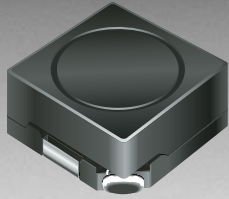


LEAD FREE  
VERSIONS ARE  
ROHS COMPLIANT



**BOURNS®**

## Features

- Available in E6 series
- Low unit height of 3.3 mm
- High current
- Lead free version available (see How to Order)
- Lead free versions are RoHS compliant\*

## Applications

- Input/output of DC/DC converters
- Power supplies for:
  - Portable communication equipment
  - Camcorders
  - LCD TVs
  - Car radios

# SRR0603 Series - Shielded Power Inductors

## Electrical Specifications

Bourns Part No.	Inductance 1kHz		Q Ref.	Test Frequency (MHz)	SRF Min. (MHz)	RDC (Ω)	I rms Max. (A)	I sat Typ. (A)
	(μH)	Tol. %						
SRR0603-1R5M_	1.5	± 20	20	7.96	95.0	0.032	2.20	3.50
SRR0603-2R5M_	2.5	± 20	19	7.96	90.0	0.040	2.00	2.95
SRR0603-3R3M_	3.3	± 20	16	7.96	85.0	0.055	1.80	2.60
SRR0603-4R7M_	4.7	± 20	13	7.96	45.0	0.070	1.60	2.20
SRR0603-6R8M_	6.8	± 20	13	7.96	32.0	0.100	1.20	1.75
SRR0603-100M_	10	± 20	16	2.52	25.0	0.12	1.10	1.50
SRR0603-150M_	15	± 20	16	2.52	25.0	0.18	0.90	1.20
SRR0603-220M_	22	± 15	16	2.52	20.0	0.27	0.70	1.05
SRR0603-330K_	33	± 10	15	2.52	16.0	0.43	0.60	0.83
SRR0603-470K_	47	± 10	13	2.52	13.0	0.55	0.50	0.73
SRR0603-680K_	68	± 10	11	2.52	10.0	0.90	0.40	0.53
SRR0603-101K_	100	± 10	22	0.796	9.0	1.50	0.30	0.44
SRR0603-151K_	150	± 10	22	0.796	8.0	1.90	0.25	0.39
SRR0603-221K_	220	± 10	20	0.796	5.0	2.70	0.20	0.31
SRR0603-331K_	330	± 10	18	0.796	4.5	4.20	0.18	0.24
SRR0603-471K_	470	± 10	17	0.796	4.0	6.70	0.15	0.19
SRR0603-681K_	680	± 10	13	0.796	3.5	10.50	0.12	0.15
SRR0603-102K_	1000	± 10	20	0.252	3.0	14.00	0.10	0.13

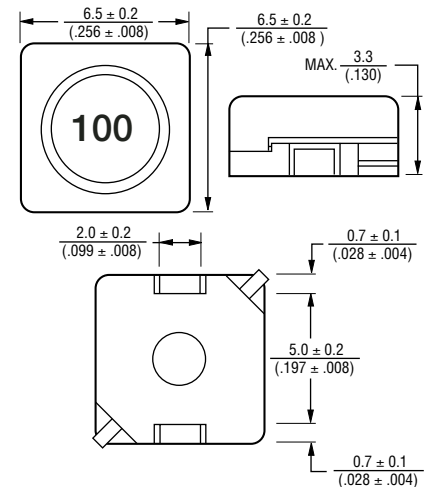
## General Specifications

Test Voltage .....1 Volt  
 Reflow Soldering .....230 °C; 50 sec max.  
 Operating Temperature ..-40 °C to +125 °C  
 (Temperature rise included)  
 Storage Temperature ..-40 °C to +125 °C  
 Resistance to Soldering Heat  
 .....260 °C for 5 sec.

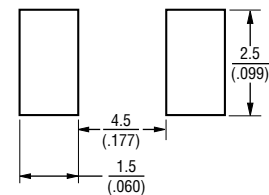
## Materials

Core Material .....Ferrite DR & RI  
 Wire .....Enameled Copper  
 Base .....LCP E4008  
 Terminal Electrode .....See How to Order  
 Rated Current....Ind. drop 10 % typ at I sat  
 Temperature Rise ..40 °C max at rated I rms  
 Packaging.....1000 pcs. per reel

## Product Dimensions

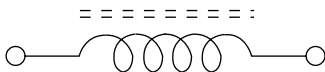


## Recommended Layout



DIMENSIONS:  $\frac{\text{MM}}{\text{(INCHES)}}$

## Electrical Schematic



## How to Order

### SRR0603 - 100M

Model \_\_\_\_\_  
 Value/Tolerance: from table \_\_\_\_\_  
 Termination \_\_\_\_\_  
 L = Cu/Ni/Sn  
 Blank = Cu/Ni/SnPb

\*RoHS Directive 2002/95/EC Jan 27 2003 including Annex  
 Specifications are subject to change without notice.  
 Customers should verify actual device performance in their specific applications.

# SRR0603 Series - Shielded Power Inductors

**BOURNS®**

## Packaging Specifications

