



BOURNS®

Features

- Formerly J.W. Miller® model
- Height of 5.4 mm
- Current rating up to 2.65 A
- RoHS compliant*

Applications

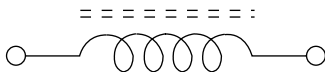
- Input/output of DC/DC converters
- Industrial electronics
- Power supplies for:
 - Portable communications equipment
 - Camcorders
 - LCD TVs
 - Car radios

PM125S Series - Shielded SMD Power Inductors

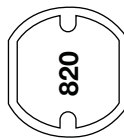
Electrical Specifications

Bourns Part No.	Inductance 100 kHz		Test Frequency (MHz)	SRF MHz Typ.	DCR Max. (mΩ)	Idc (A)	Isat (A)
	(μH)	Tol. (%)					
PM125S-100M-RC	10	±20	2.52	24	50	2.65	4.43
PM125S-120M-RC	12	±20	2.52	21	50	2.50	5.31
PM125S-150M-RC	15	±20	2.52	19	60	2.45	3.68
PM125S-180M-RC	18	±20	2.52	16	60	2.40	4.32
PM125S-220M-RC	22	±20	2.52	15	70	2.20	4.04
PM125S-270M-RC	27	±20	2.52	14	80	2.00	3.62
PM125S-330M-RC	33	±20	2.52	13	100	1.80	3.00
PM125S-390M-RC	39	±20	2.52	12	110	1.65	3.00
PM125S-470M-RC	47	±20	2.52	10	120	1.50	1.78
PM125S-560M-RC	56	±20	2.52	9	150	1.38	1.90
PM125S-680M-RC	68	±20	2.52	9	170	1.26	2.08
PM125S-820M-RC	82	±20	2.52	8	200	1.14	1.82
PM125S-101M-RC	100	±20	1.00	7	250	1.05	1.19
PM125S-121M-RC	120	±20	1.00	6	280	0.95	0.95
PM125S-151M-RC	150	±20	1.00	6	400	0.85	1.18
PM125S-181M-RC	180	±20	1.00	5	480	0.77	1.07
PM125S-221M-RC	220	±20	1.00	5	520	0.70	0.95
PM125S-271M-RC	270	±20	1.00	4	700	0.63	1.07
PM125S-331M-RC	330	±20	1.00	4	800	0.57	0.78
PM125S-391M-RC	390	±20	1.00	4	1080	0.52	0.91
PM125S-471M-RC	470	±20	1.00	3	1200	0.48	0.87
PM125S-561M-RC	560	±20	1.00	3	1340	0.44	0.74
PM125S-681M-RC	680	±20	1.00	3	1780	0.40	0.74
PM125S-821M-RC	820	±20	1.00	2	2000	0.36	0.26

Electrical Schematic



Typical Part Marking



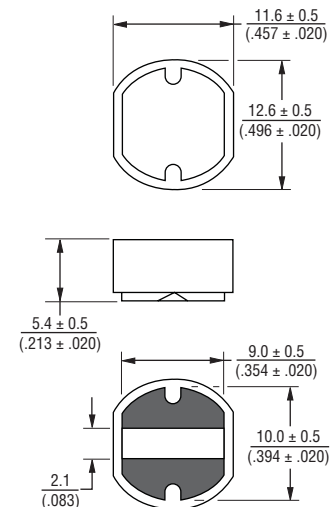
General Specifications

Test Voltage 0.1 V
 Reflow Soldering 230 °C; 50 sec max.
 Operating Temperature
 -40 °C to +125 °C
 (Temperature rise included)
 Storage Temperature ... -40 °C to +125 °C
 Resistance to Soldering Heat
 260 °C, 10 sec. max.

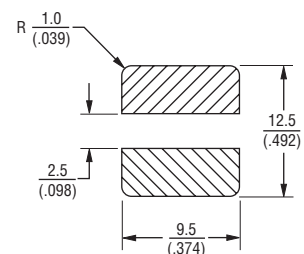
Materials

Core Ferrite
 Wire Enameled copper
 Adhesive Epoxy resin
 Terminal Sn/Ni/Ag
 Rated Current
 Ind. drop 10 % typ. at Isat
 Temperature Rise 40 °C typical
 at Idc
 Packaging 500 pcs. per reel

Product Dimensions



Recommended Pad Layout



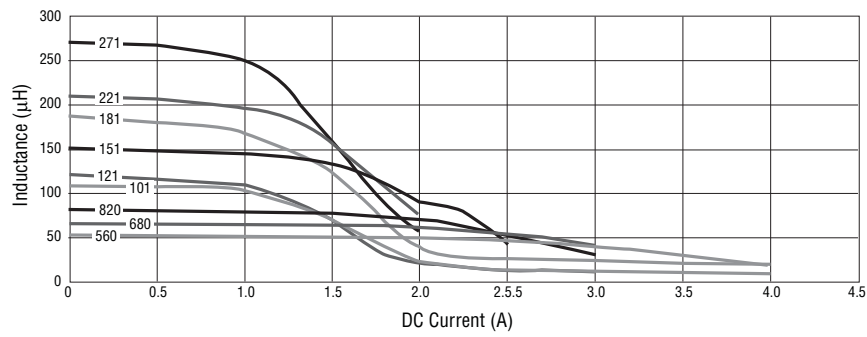
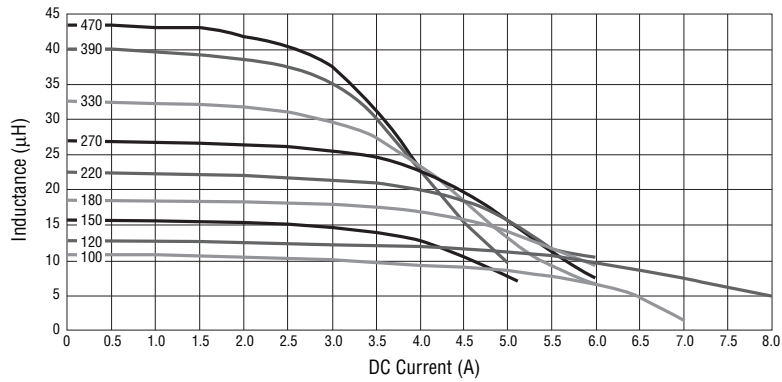
DIMENSIONS: $\frac{\text{MM}}{\text{(INCHES)}}$

*RoHS Directive 2002/95/EC Jan. 27, 2003 including annex and RoHS Recast 2011/65/EU June 8, 2011.
 Specifications are subject to change without notice.
 Customers should verify actual device performance in their specific applications.

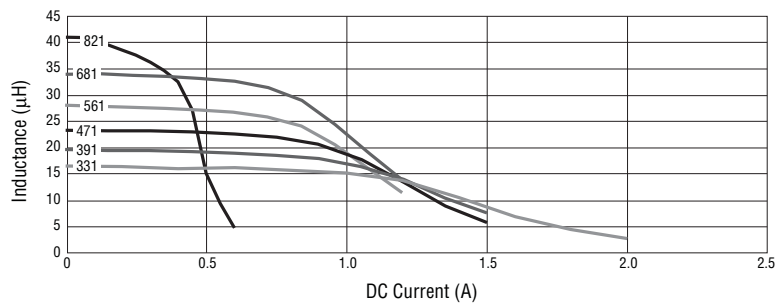
PM125S Series - Shielded SMD Power Inductors

BOURNS®

Inductance vs. Current



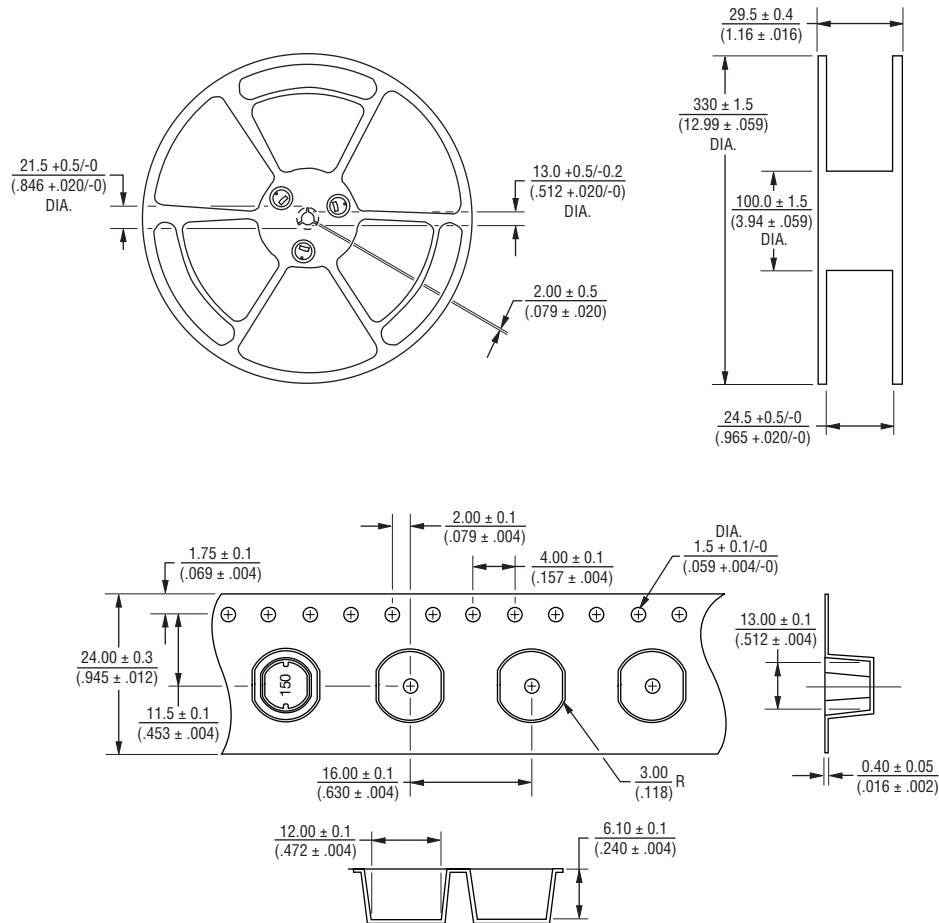
L vs. I



PM125S Series - Shielded SMD Power Inductors

BOURNS®

Packaging Specifications



QTY: 500 PCS. PER REEL

DIMENSIONS: $\frac{\text{MM}}{\text{(INCHES)}}$