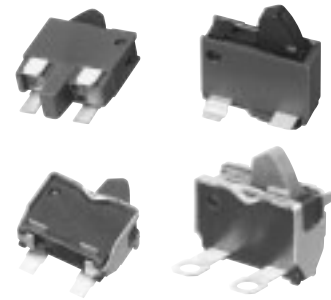


2N Detector Switches

Type: **ESE22**



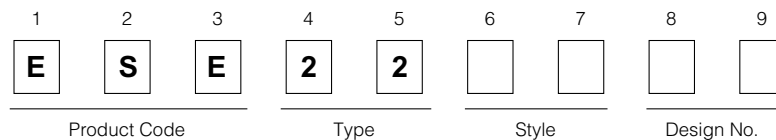
■ Features

- Can be operated with different actuation angles (horizontally and vertically)
- Reflow soldering
- Light operating force

■ Recommended Applications

- Detection of media in portable electronic equipment

■ Explanation of Part Numbers

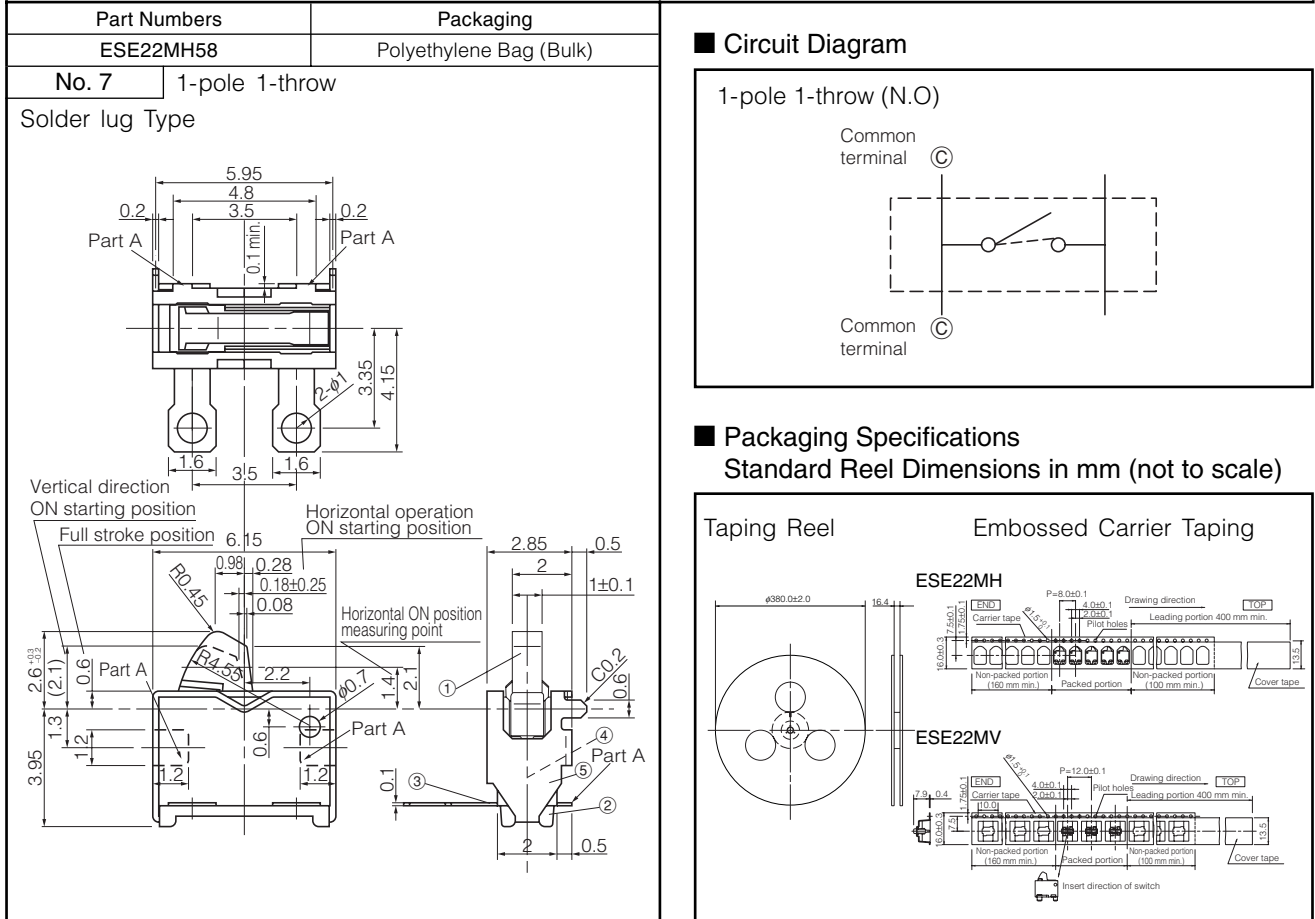
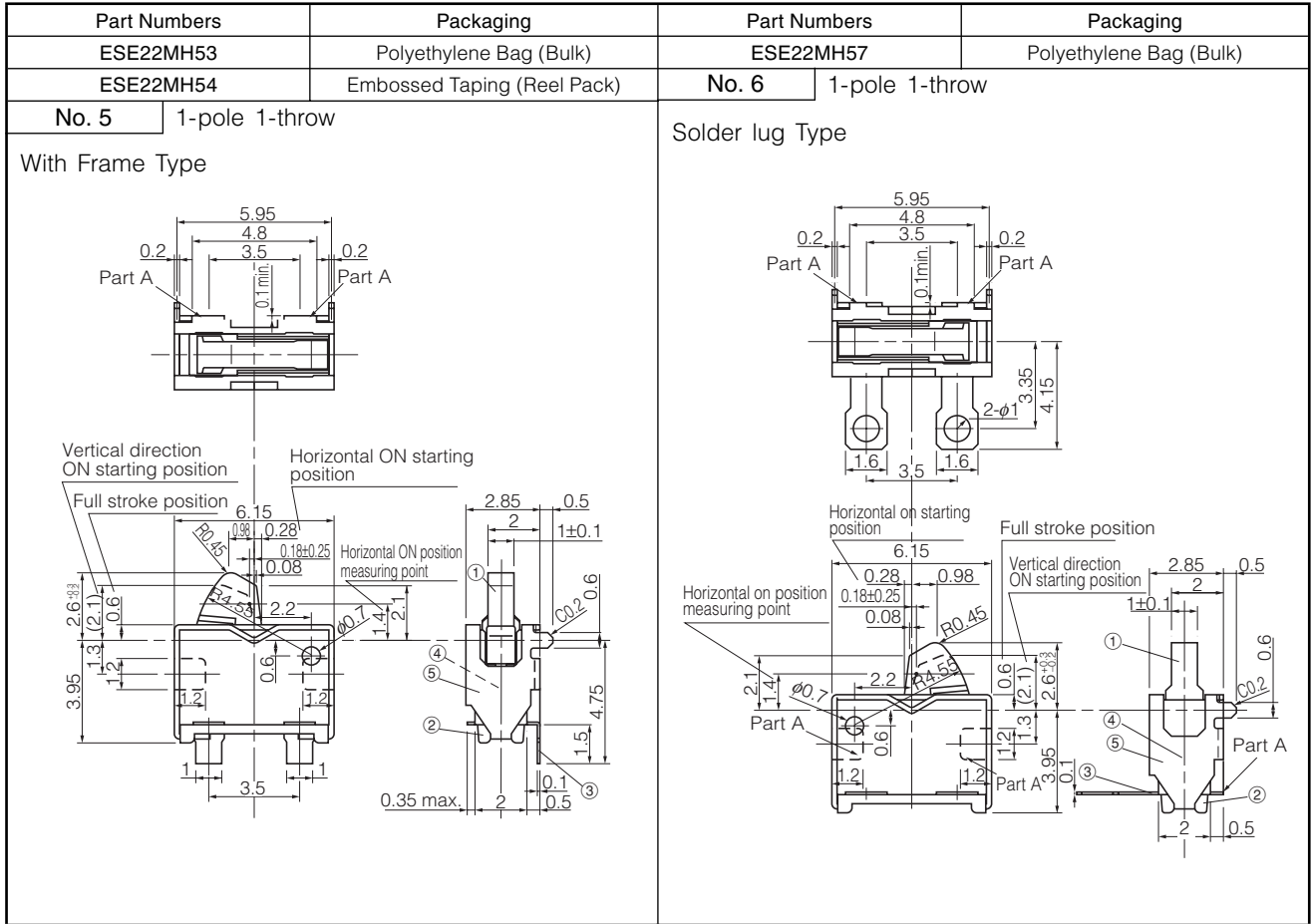


■ Specifications

Rating	50 μ A 3 Vdc to 10 mA 5 Vdc (Resistive load)
Contact Resistance	500 m Ω max. (Initial)
Insulation Resistance	100 M Ω min. (100 Vdc)
Dielectric Withstanding Voltage	100 Vac for 1 minute
Operating Force	300 mN max.
Mounting Height	<ul style="list-style-type: none"> · Type MV 4.1 mm · Type MH 2.1 mm · Type MH with Frame 2.85 mm
Poles and Throws	1-pole 1-throw
Full Travel (Pushing distance)	<ul style="list-style-type: none"> · Type MV 4.25 mm(2.05 mm) · Type MH 1.2 mm(2.0 mm) · Type MH with Frame 0.6 mm(2.0 mm)
Operating Life	50000 cycles min.
Temperature Range	-10 °C to +70 °C
Heat Resistance	+80 °C for 96 hours
Low Temperature Resistance	-25 °C for 96 hours
Humidity Resistance	+40 °C 90 % to 95 % RH for 96 hours
Minimum Quantity/Packing Unit	500 pcs. Polyethylene Bag (Bulk)
	<ul style="list-style-type: none"> · Type MV 1000 pcs. Embossed Taping (Reel Pack) · Type MH with Frame 3000 pcs. Embossed Taping (Reel Pack) · Type MH 4000 pcs. Embossed Taping (Reel Pack)
	10000 pcs. Polyethylene Bag (Bulk)
Quantity/Carton	10000 pcs. Polyethylene Bag (Bulk)
	<ul style="list-style-type: none"> · Type MV 6000 pcs. Embossed Taping (Reel Pack) · Type MH with Frame 18000 pcs. Embossed Taping (Reel Pack) · Type MH 24000 pcs. Embossed Taping (Reel Pack)
	10000 pcs. Polyethylene Bag (Bulk)

Design and specifications are each subject to change without notice. Ask factory for the current technical specifications before purchase and/or use. Should a safety concern arise regarding this product, please be sure to contact us immediately.

■ Dimensions in mm (not to scale)



Design and specifications are each subject to change without notice. Ask factory for the current technical specifications before purchase and/or use. Should a safety concern arise regarding this product, please be sure to contact us immediately.