

ZONE	REV	SCR NUMBER	DESCRIPTION	BY	DATE	APPROVED
ALL	A	MHAN-98NQVA.VER01	NEW RELEASE	HCL-PG	06/17/2013	M.HANRAHAN
	B	CWAG-9B27H5.VER01	ADDED 2mm GND WIPE VERSION	HCL-PG	09/17/2013	C.WANG

DRW NO. C-923-400C-500 SH 1 REV B

9 2 3 - 4 X 0 C - X X X

XCede HD BACKPLANE MODULE MALE STANDARD LOAD

4 PAIR 6-POSITION

LETTER	PLATING
B	NI SULFAMATE, STANDARD GOLD, LEADED
C	NI SULFAMATE, HIGH GOLD, LEADED
D	NI SULFAMATE, STANDARD GOLD, LEADFREE
E	NI SULFAMATE, HIGH GOLD, LEADFREE
F	NANO NI, STANDARD GOLD, LEADED
G	NANO NI, HIGH GOLD, LEADED
H	NANO NI, STANDARD GOLD, LEADFREE
J	NANO NI, HIGH GOLD, LEADFREE

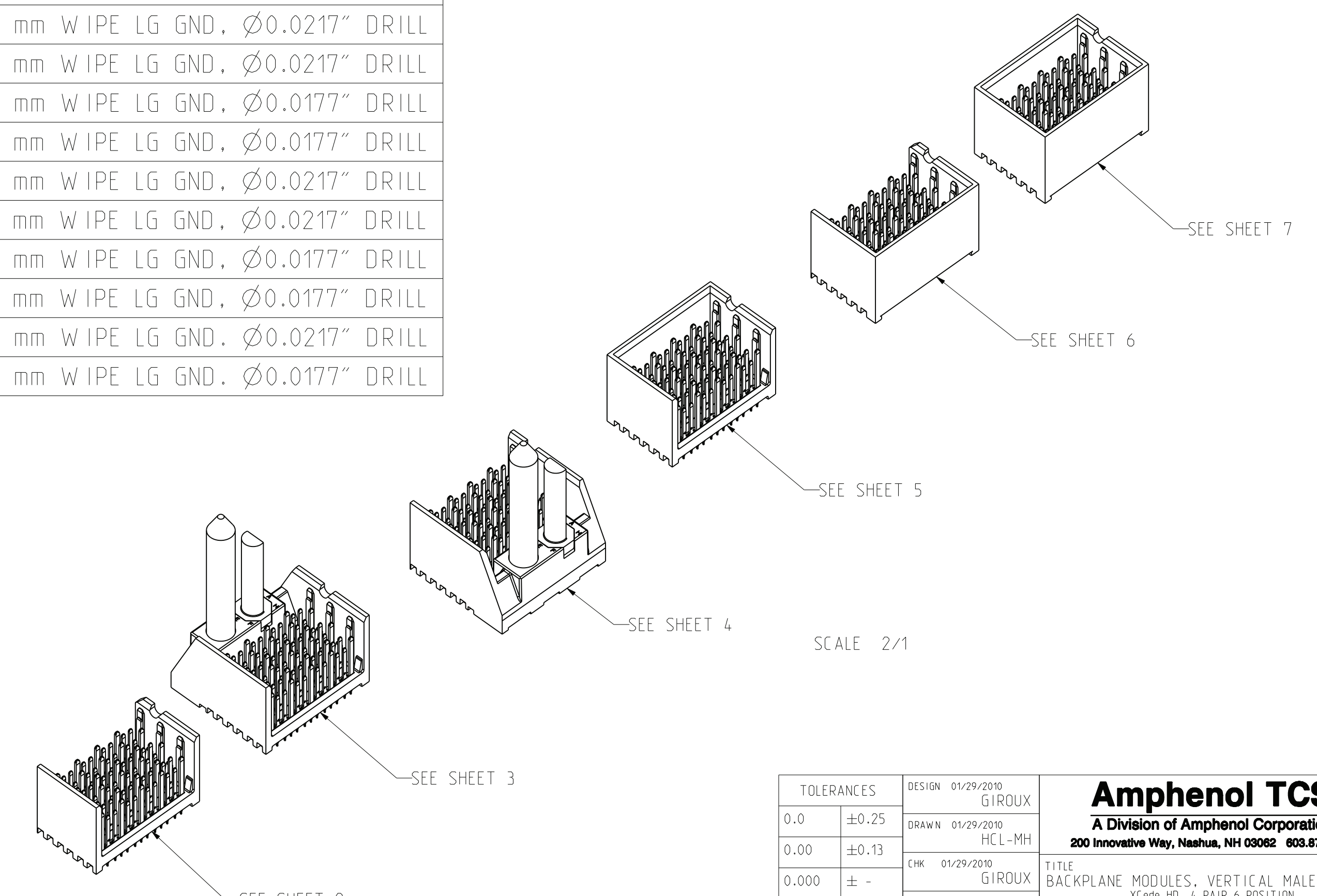
NUMBER	PIN STYLE, HEIGHT
0	GUIDE PIN MACHINED, 28.5mm / OPEN MODULE
1	GUIDE PIN ROLLED, 28.5mm
2	GUIDE PIN MACHINED, 21.6mm

NOT TOOLED

NUMBER	SIGNAL & LG. GROUND WIPE LENGTH, COMPLIANT PIN SIZE
1	2 mm WIPE SIGNAL, 4 mm WIPE LG GND, Ø0.0217" DRILL
2	3 mm WIPE SIGNAL, 4 mm WIPE LG GND, Ø0.0217" DRILL
3	2 mm WIPE SIGNAL, 4 mm WIPE LG GND, Ø0.0177" DRILL
4	3 mm WIPE SIGNAL, 4 mm WIPE LG GND, Ø0.0177" DRILL
5	2 mm WIPE SIGNAL, 3 mm WIPE LG GND, Ø0.0217" DRILL
6	3 mm WIPE SIGNAL, 3 mm WIPE LG GND, Ø0.0217" DRILL
7	2 mm WIPE SIGNAL, 3 mm WIPE LG GND, Ø0.0177" DRILL
8	3 mm WIPE SIGNAL, 3 mm WIPE LG GND, Ø0.0177" DRILL
C	2 mm WIPE SIGNAL, 2 mm WIPE LG GND, Ø0.0217" DRILL
D	2 mm WIPE SIGNAL, 2 mm WIPE LG GND, Ø0.0177" DRILL

	LETTER									
LEFT POLARIZING GUIDANCE (SEE SHEET 3)	N	J (NO KEY)	A	B	C	D	E	F	G	H
	NO KEY NO GUIDE PIN									
RIGHT POLARIZING GUIDANCE (SEE SHEET 4)	Z	Y (NO KEY)	P	Q	R	S	T	U	V	W
	NO KEY NO GUIDE PIN									
OPEN (SEE SHEET 2)	O (ZERO)									
LEFT WALL (SEE SHEET 5)	L									
RIGHT WALL (SEE SHEET 6)	M									
TWO WALL (SEE SHEET 7)	1									

- NOTES:
- REFER TO TB-2235 FOR XCede HD PRODUCT SPECIFICATIONS.
  - NOTCH DESIGNATES "ROW A" SIDE OF SHROUD. NOTCH FEATURE ON OPPOSITE SIDE FROM PART MARKING.
  - PART MARKING AS FOLLOWS:  
 LINE 1: "ATCS" AND DATECODE (ATCS YYWW).  
 LINE 2: MODULE PART NUMBER (923-####-###).  
 LINE 3: WORK ORDER NUMBER (###\*#####).  
 WHERE "\*" DENOTES MANUFACTURING LOCATION.
  - PLATING THICKNESS OF SIGNAL CONTACT AND GROUND CONTACT IS DETERMINED BY PLATING CODE. SEE PART NUMBER TREE SHEET 1.
  - REPAIR PROCEDURE FOR MODULE. SEE TB-2245.
  - SEE TB-2237 FOR ROUTING GUIDELINES & PTH REQ'S.
  - SEE DOC XXXX-XXXX-XXX FOR TOOLING KEEPOUT ZONES.
  - BACKPLANE DATUM REFERENCE.
  - DIMENSIONS APPLY FOR BOTH COMPLIANT PIN SIZES.
  - OPTIONAL HOLE/MOUNTING SCREW LOCATION FOR GROUNDED PIN OR ADDITIONAL GUIDE PIN SUPPORT. SEE DRAWING C914-4000-000 FOR OPTIONAL HOLE DETAILS. ONLY APPLIES FOR MACHINED GUIDE PIN APPLICATIONS.



SCALE 2/1

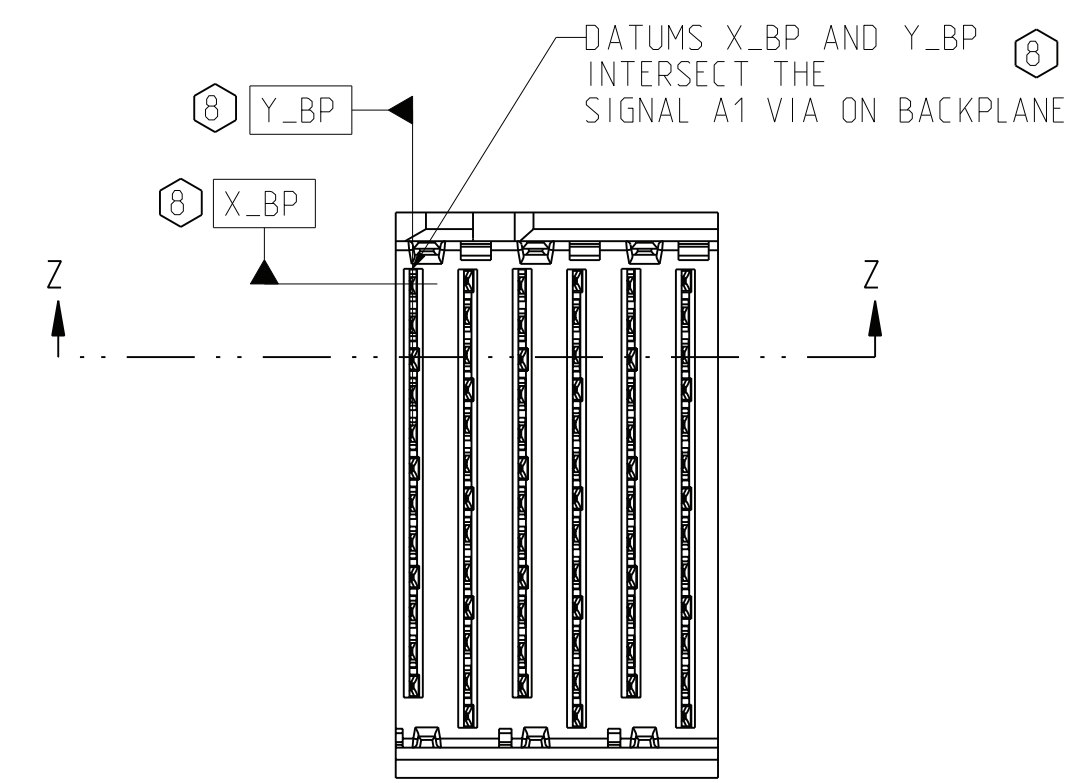
TOLERANCES	DESIGN 01/29/2010 GIROUX	<b>Amphenol TCS</b> A Division of Amphenol Corporation 200 Innovative Way, Nashua, NH 03082 603.879.3000	TITLE	BACKPLANE MODULES, VERTICAL MALE HEADER XCede HD, 4 PAIR 6 POSITION	
0.0 ±0.25	DRAWN 01/29/2010 HCL-MH		PART NO.	SEE PN TREE SHEET 1	
0.00 ±0.13	CHK 01/29/2010 GIROUX		DRAWING NO.	C-923-400C-500	
0.000 ± -	APVD 01/29/2010 GIROUX		UNLESS OTHERWISE SPECIFIED DIMENSIONS ARE IN MM. DECIMAL MARKER IS A PERIOD.	ASSEM: C923-400C-500 DRAWING: C923-400C-500	
ANGLES ± 3°		CUSTOMER USE DRAWING	SIZE D	SCALE 1/1	SHEET 1 OF 8

INTERPRET PER ASME Y14.5M  
CODE IDENT 31413

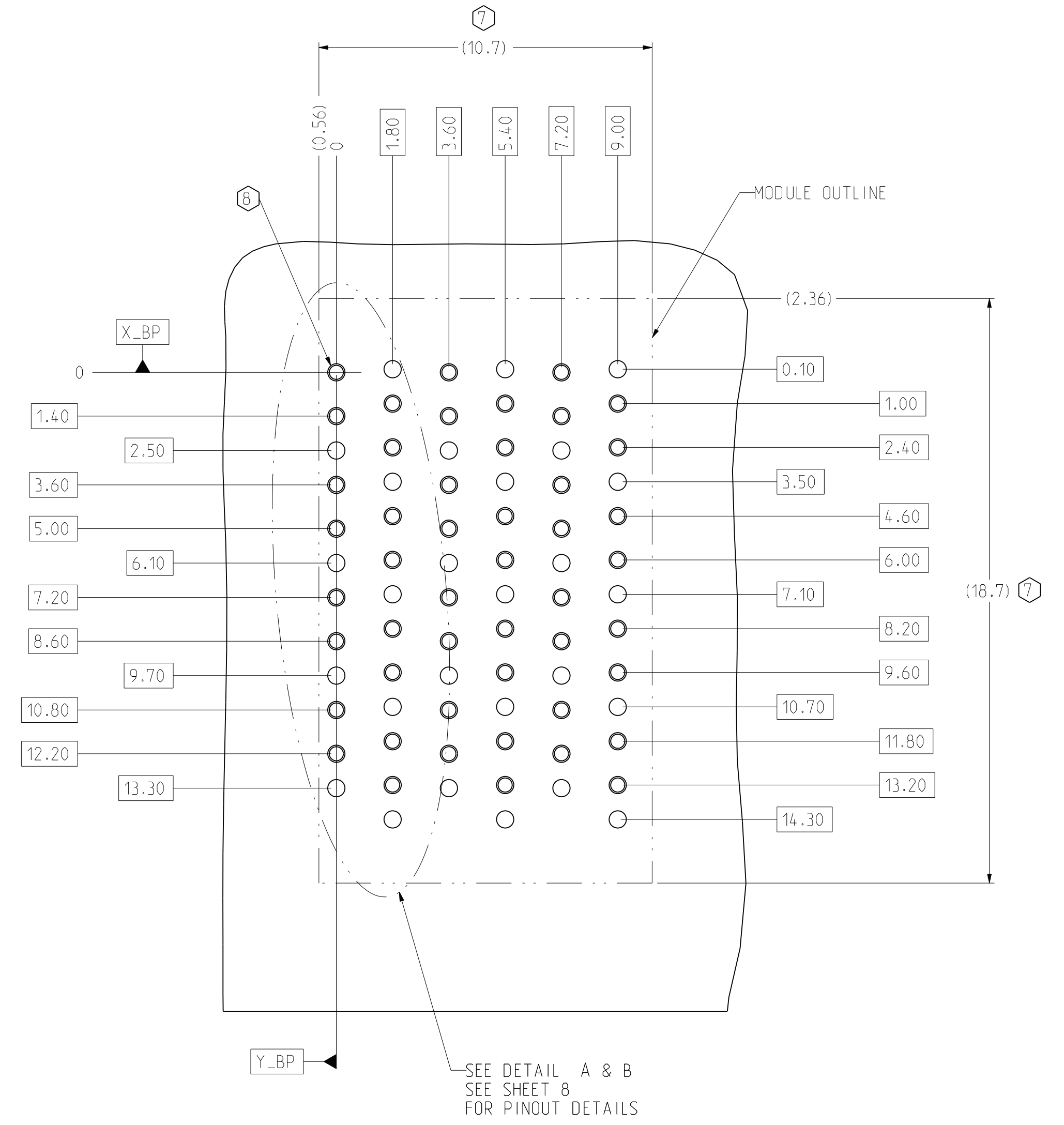
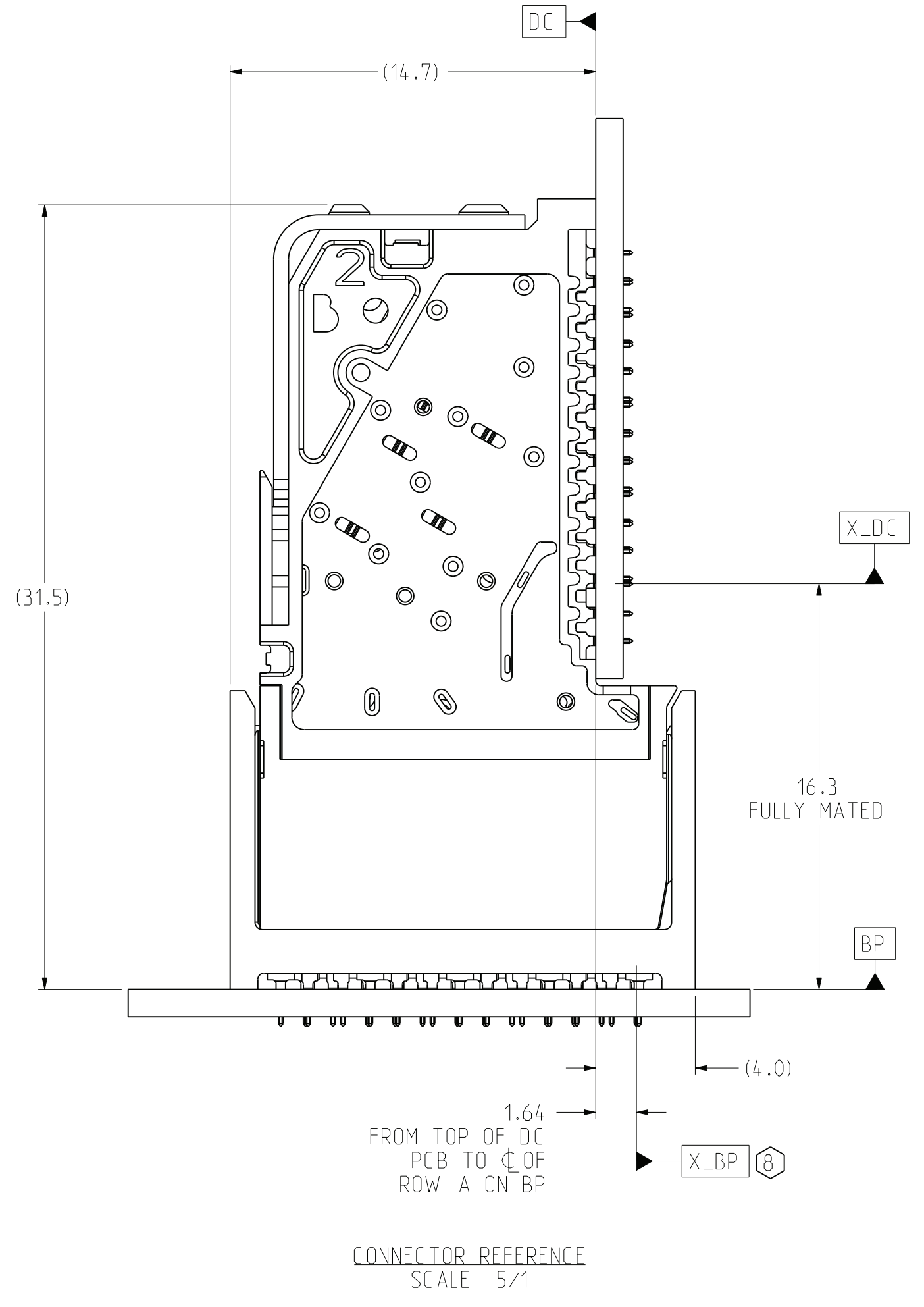
DRW NO. C-923-400C-500

SH 1 REV B

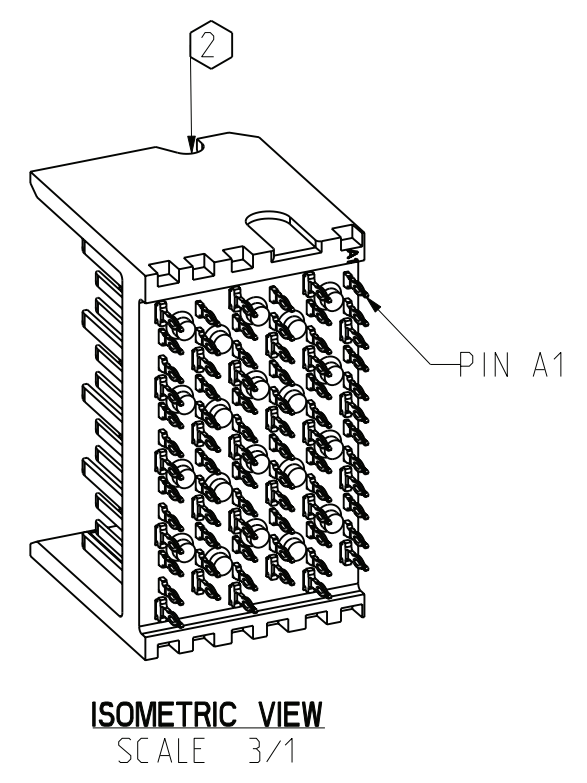
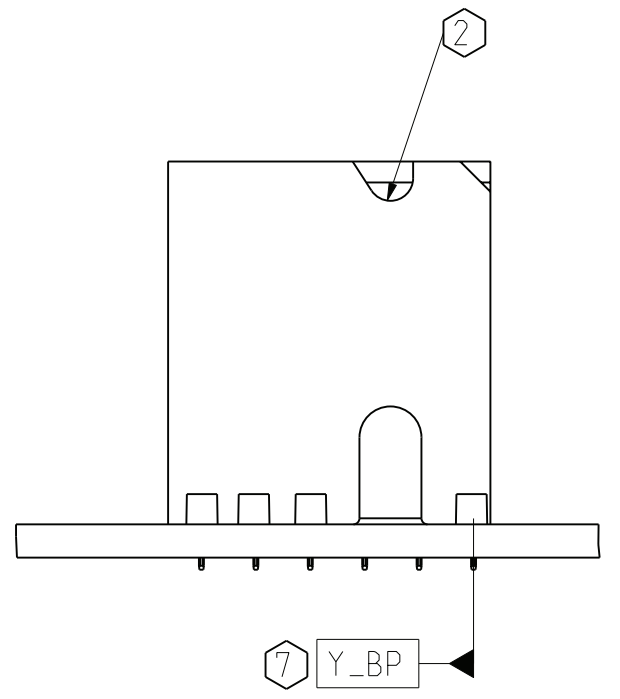
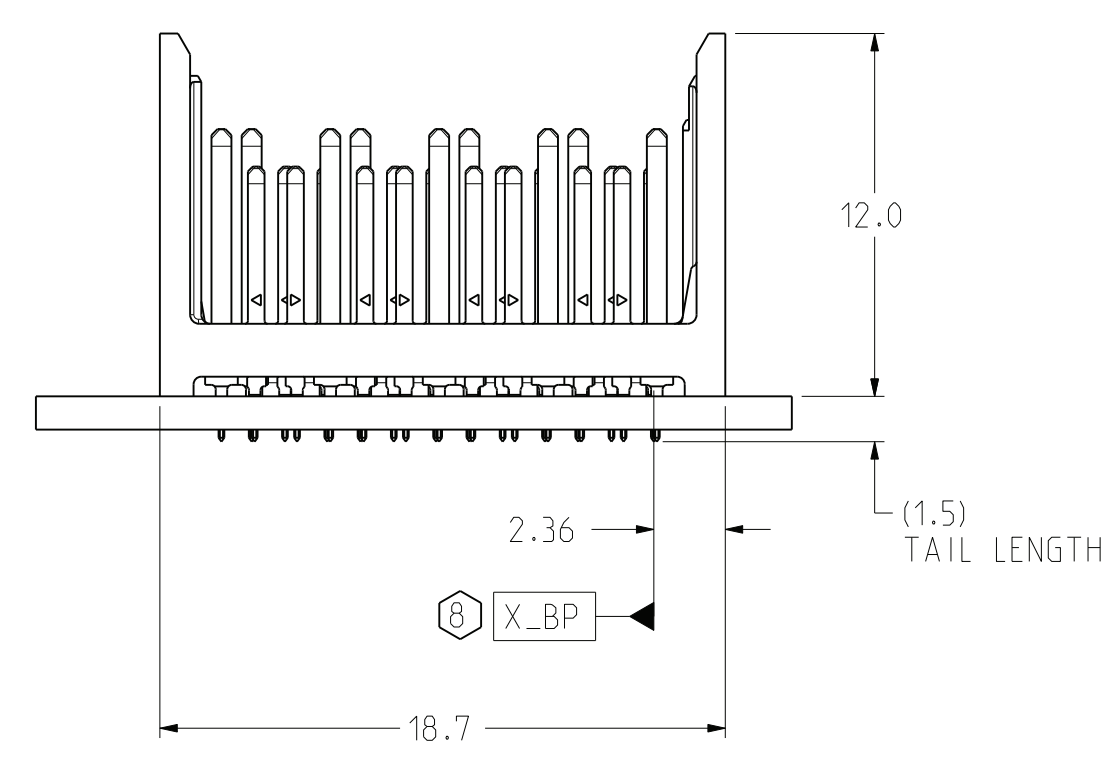
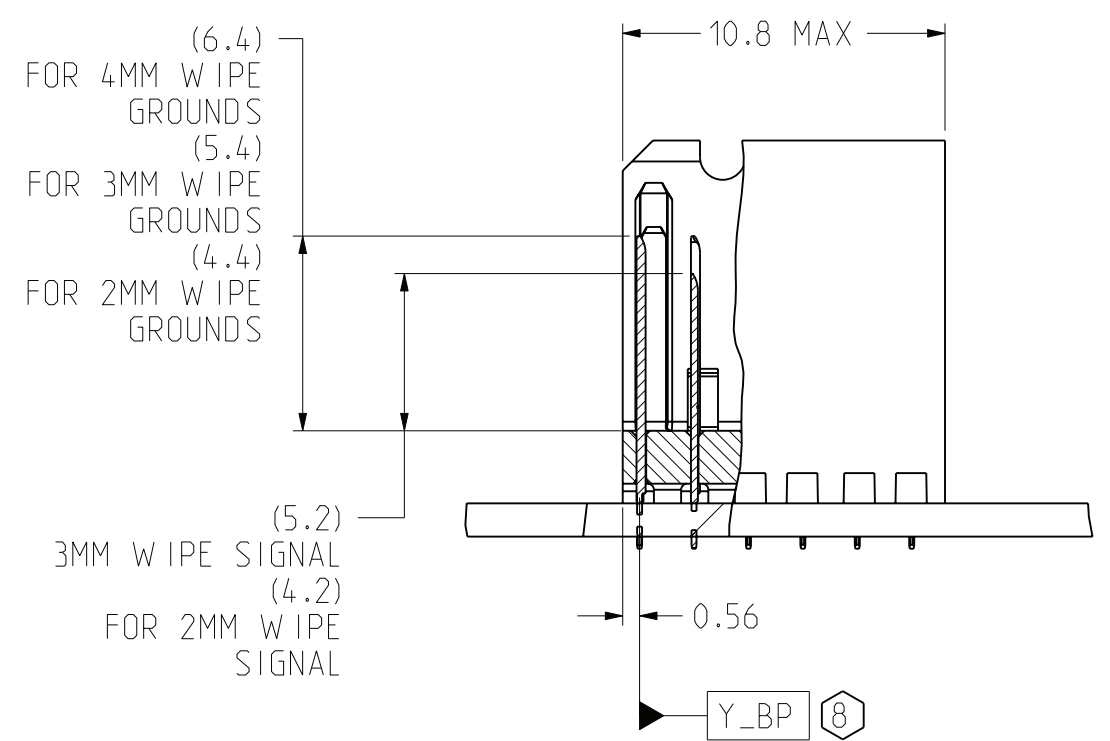
ZONE	REV	SCR NUMBER	DESCRIPTION	BY	DATE	APPROVED
			SEE SHEET 1			



OPEN BACKPLANE MODULE DIMENSION



OPEN BACKPLANE FOOTPRINT



TOLERANCES	DESIGN	DATE	DESIGNER
0.0	±0.25	01/29/2010	GIROUX
0.00	±0.13	01/29/2010	HCL-MH
0.000	±	01/29/2010	GIROUX
ANGLES	± 3°	01/29/2010	APVD

**Amphenol TCS**  
A Division of Amphenol Corporation  
200 Innovative Way, Nashua, NH 03082 603.879.3000

TITLE BACKPLANE MODULES, VERTICAL MALE HEADER  
XCede HD, 4 PAIR 6 POSITION

PART NO. SEE PN TREE SHEET 1  
REV N/A

DRAWING NO. C-923-400C-500  
REV B

ASSEM C923-400C-500 1.4  
DRAWING: C923-400C-500 B.0

INTERPRET PER ASME Y14.5M  
CODE IDENT 31413

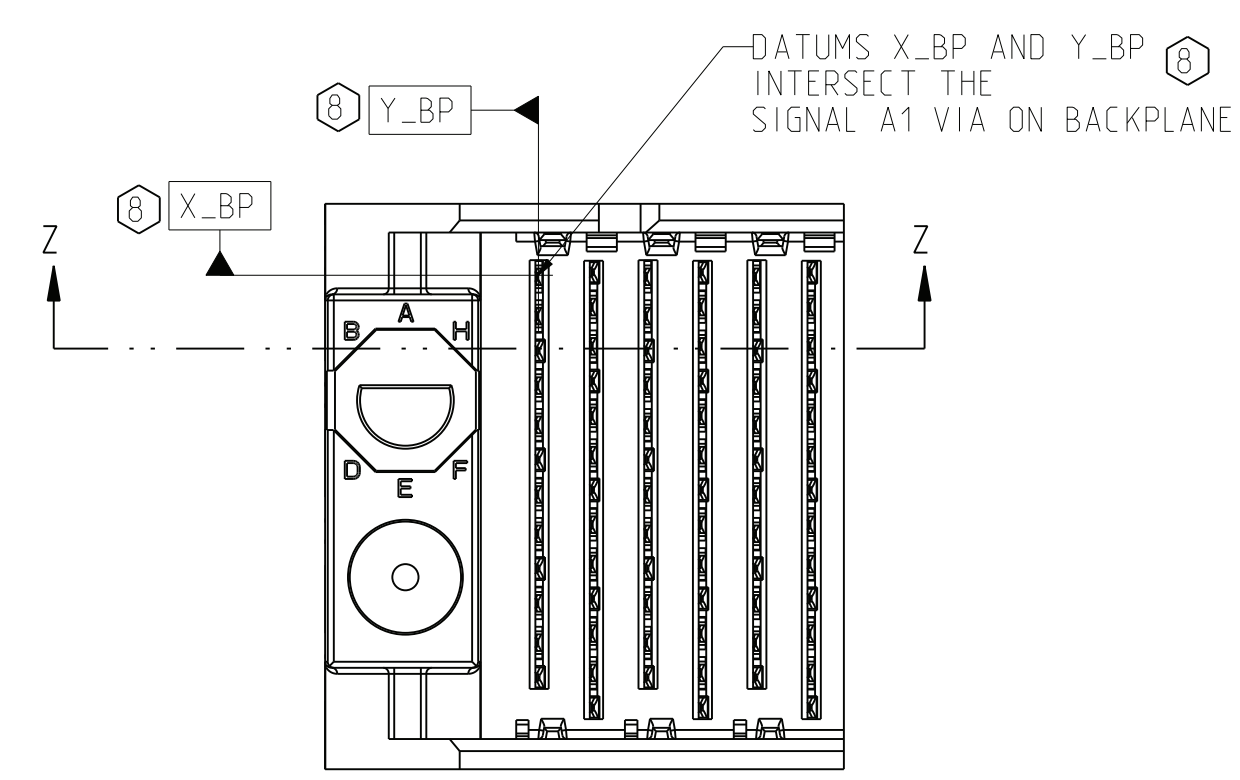
CUSTOMER USE DRAWING

SIZE D SCALE 1/1 SHEET 2 OF 8

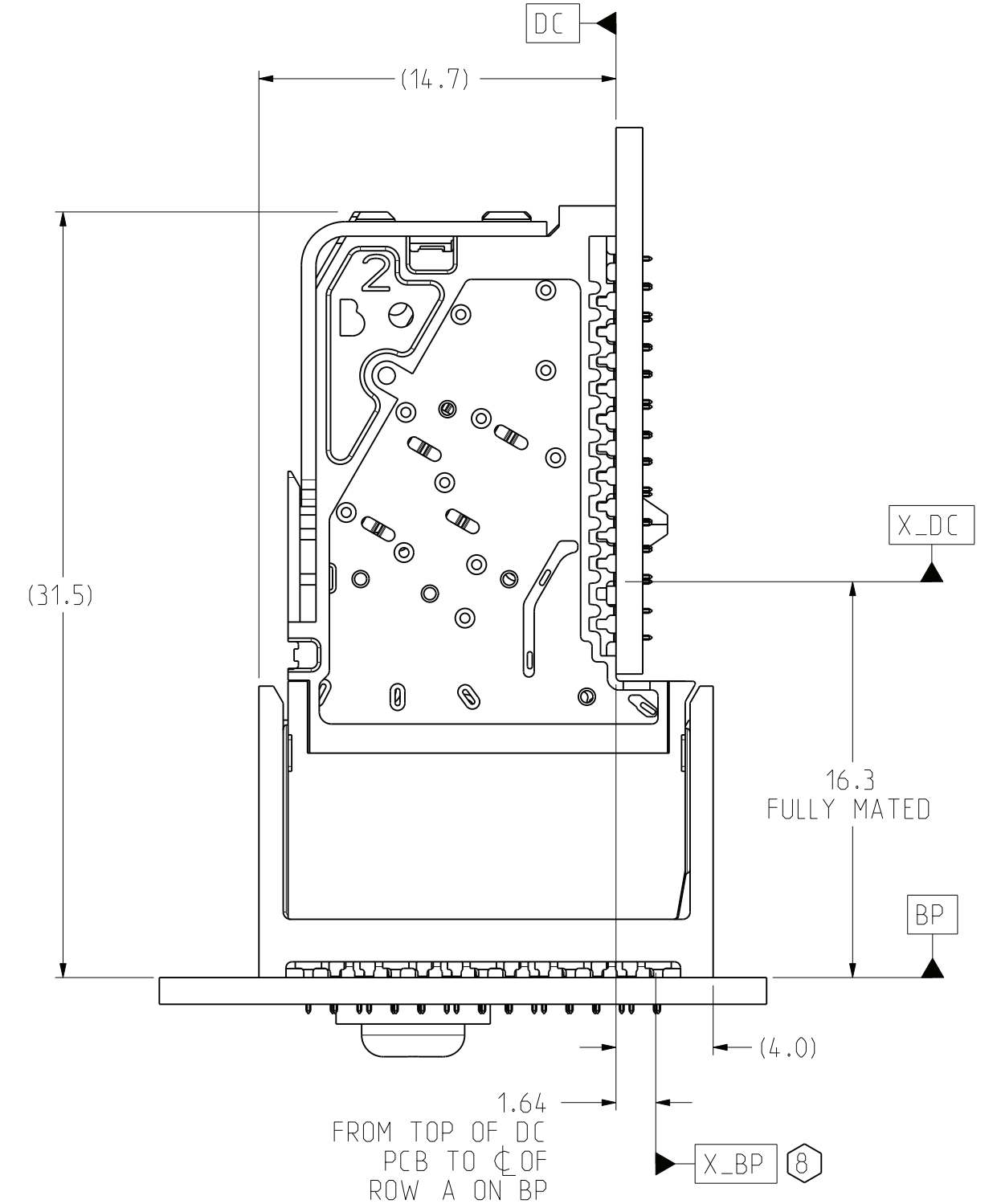
DRW NO. C-923-400C-500

SH 2 REV B

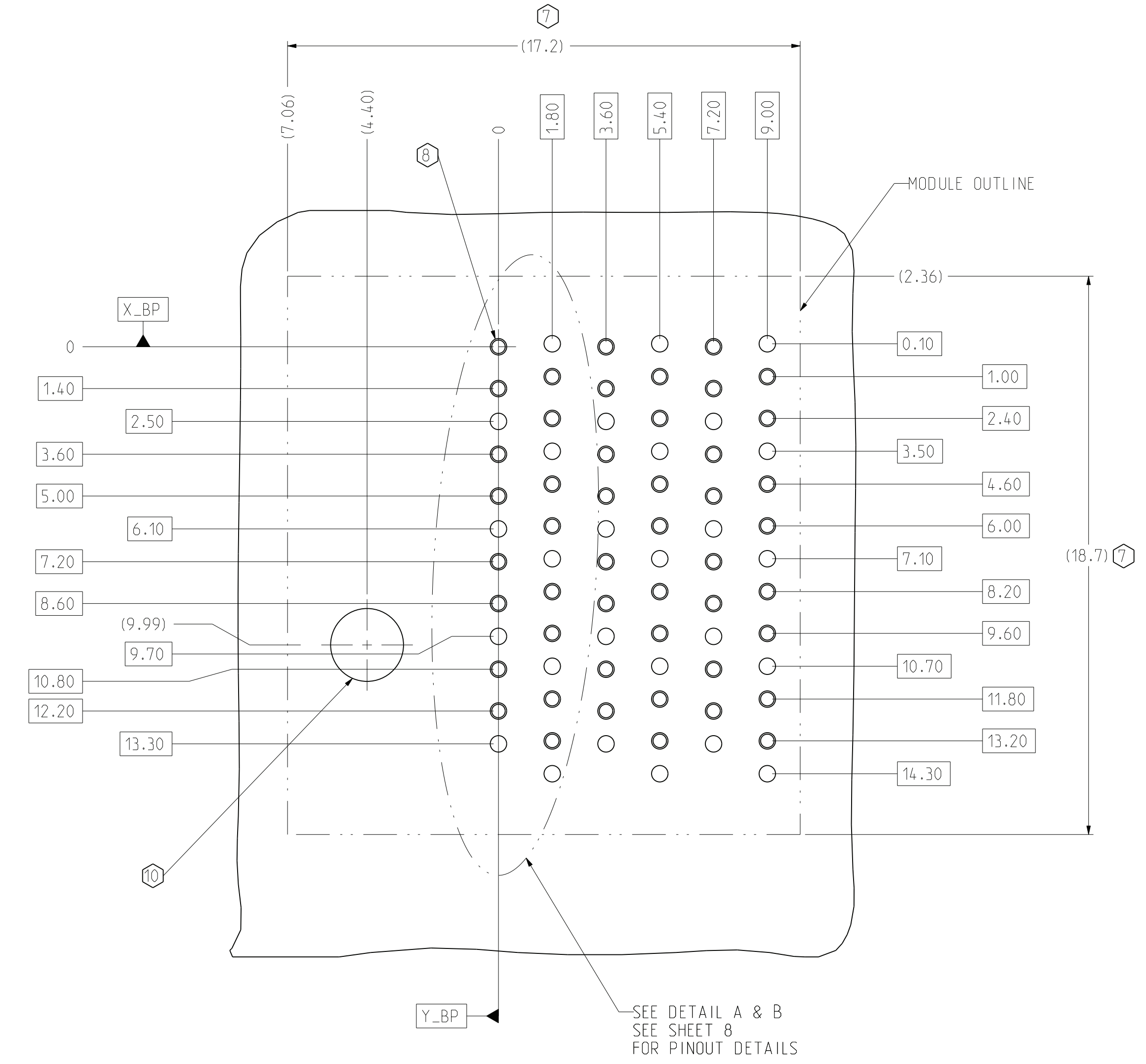
ZONE	REV	SCR NUMBER	DESCRIPTION	BY	DATE	APPROVED
			SEE SHEET 1			



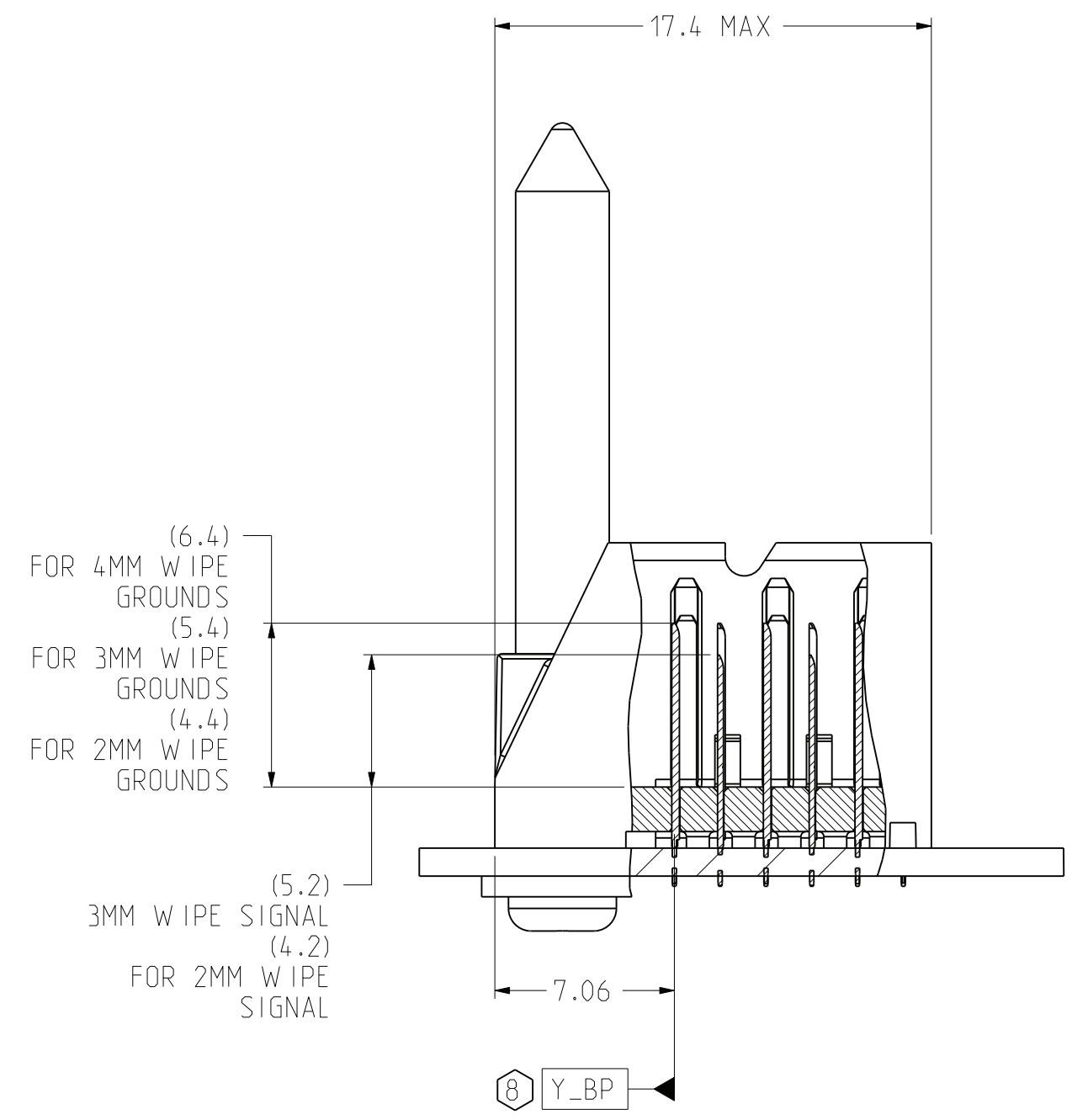
LEFT POLARIZING/GUIDE BACKPLANE MODULE DIMENSION



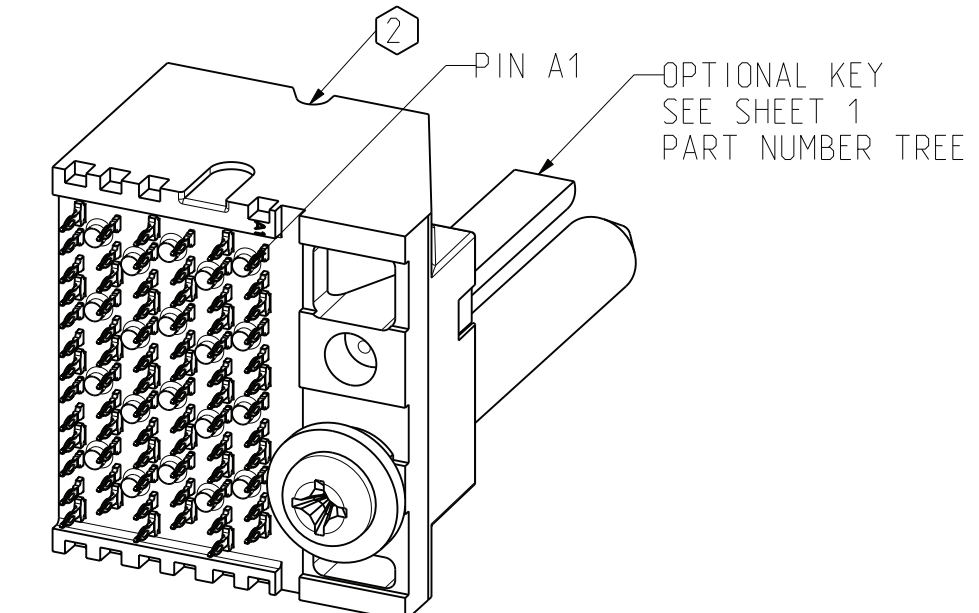
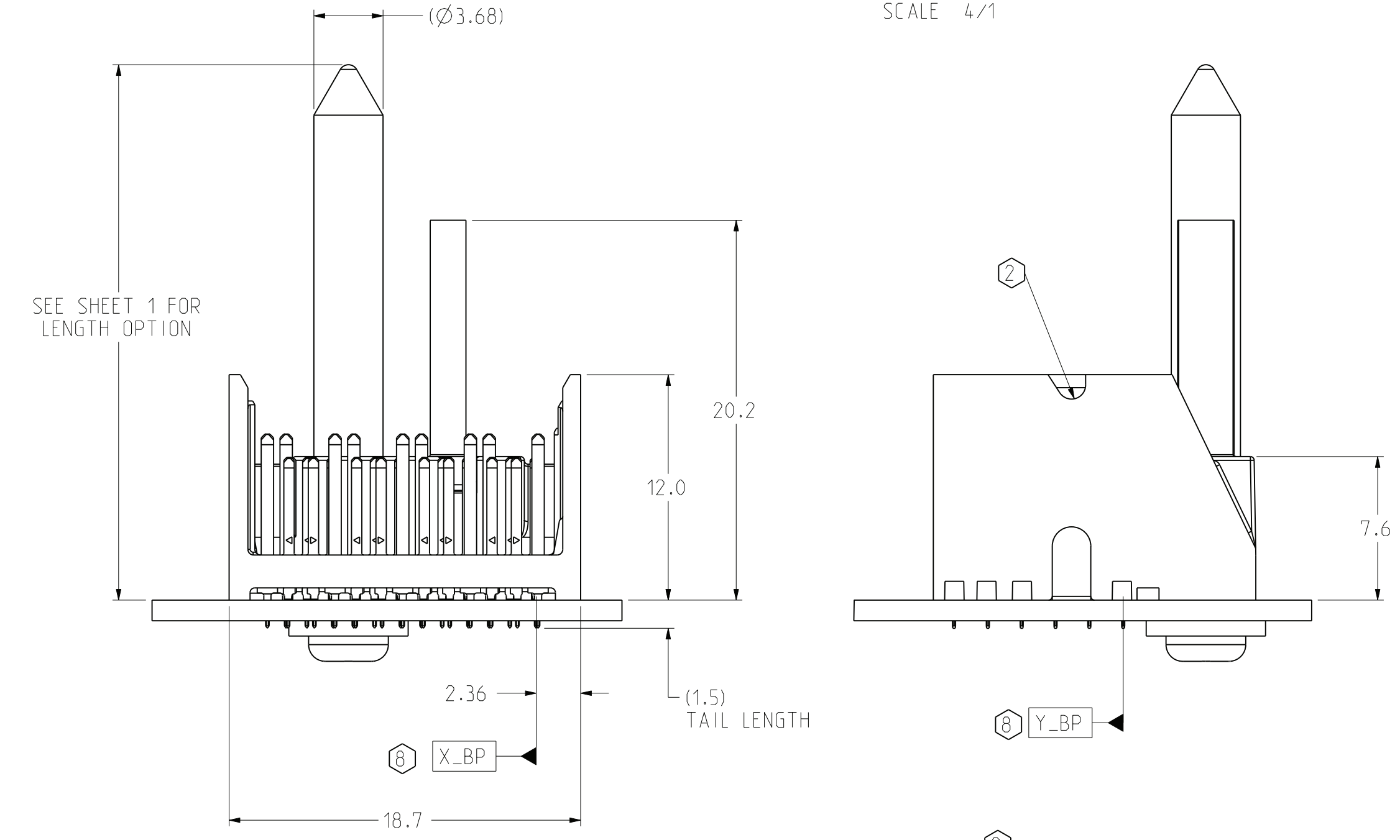
CONNECTOR REFERENCE SCALE 4/1



LEFT POLARIZING/GUIDE BACKPLANE FOOTPRINT



SECTION Z-Z



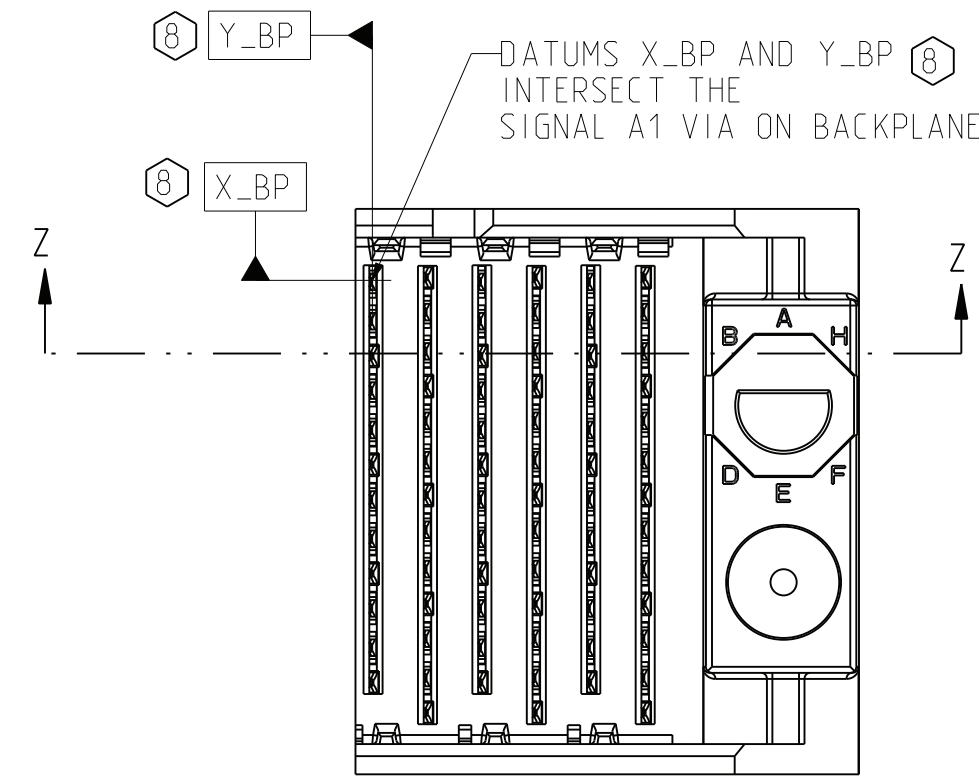
ISOMETRIC VIEW SCALE 3/1

TOLERANCES		DESIGN	J.GIROUX	<b>Amphenol TCS</b>		
0.0	±0.25	DRAWN	01/29/2010	A Division of Amphenol Corporation		
0.00	±0.13	CHK	01/29/2010	200 Innovative Way, Nashua, NH 03082 603.879.3000		
0.000	± -	APVD	01/29/2010	TITLE BACKPLANE MODULES, VERTICAL MALE HEADER		
ANGLES	± 3°	GIROUX		XCede HD, 4 PAIR 6 POSITION		
UNLESS OTHERWISE SPECIFIED DIMENSIONS ARE IN MM. DECIMAL MARKER IS A PERIOD				PART NO.	SEE PN TREE SHEET 1	REV N/A
INTERPRET PER ASME Y14.5M				DRAWING NO.	C-923-400C-500	REV B
CODE IDENT 31413				ASSEM C923-400C-500		1.4
CUSTOMER USE DRAWING				DRAWING C923-400C-500		B.0
SIZE	D	SCALE	1/1	SHEET 3 OF 8		

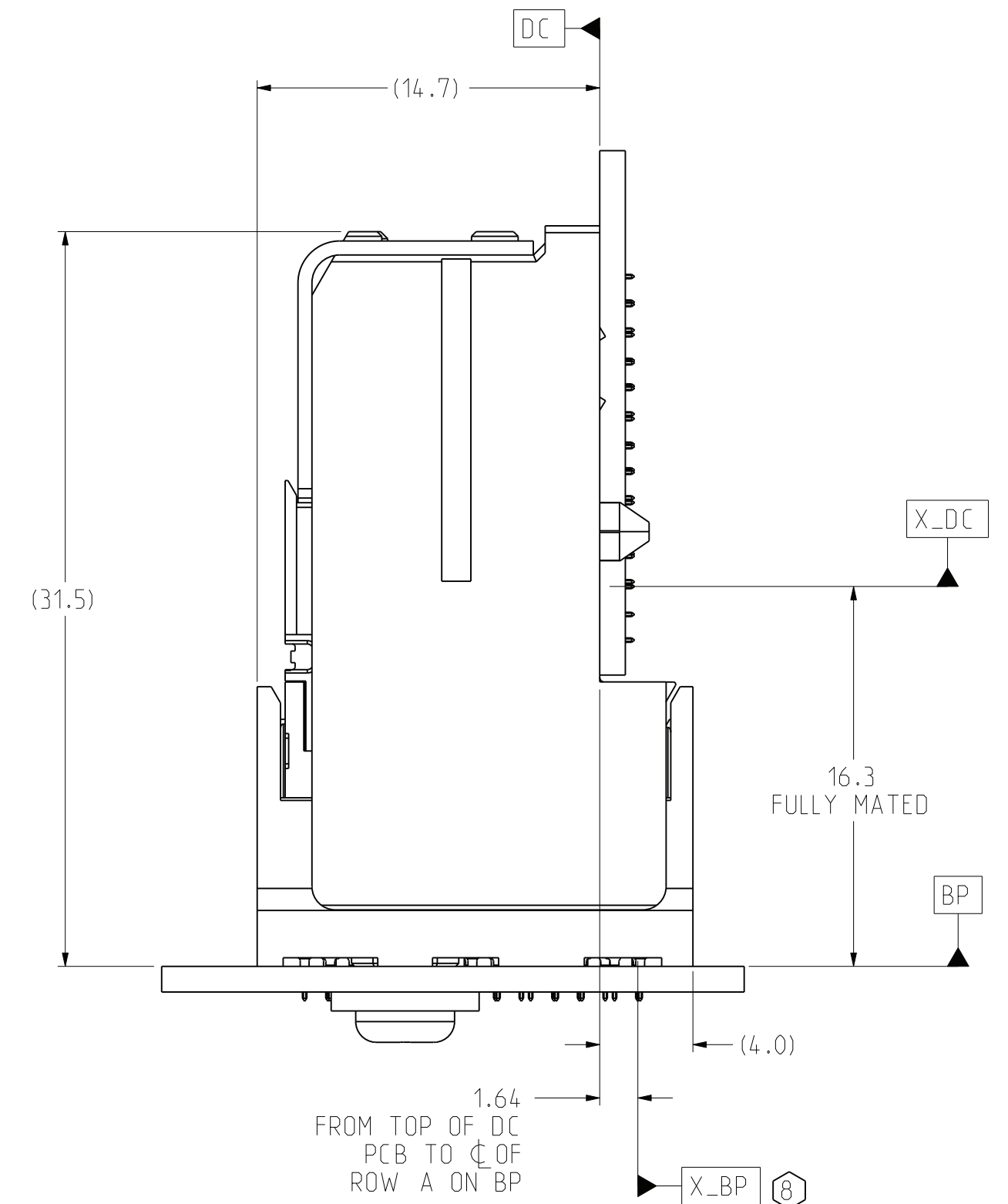
DRW NO. C-923-400C-500

SH 3 REV B

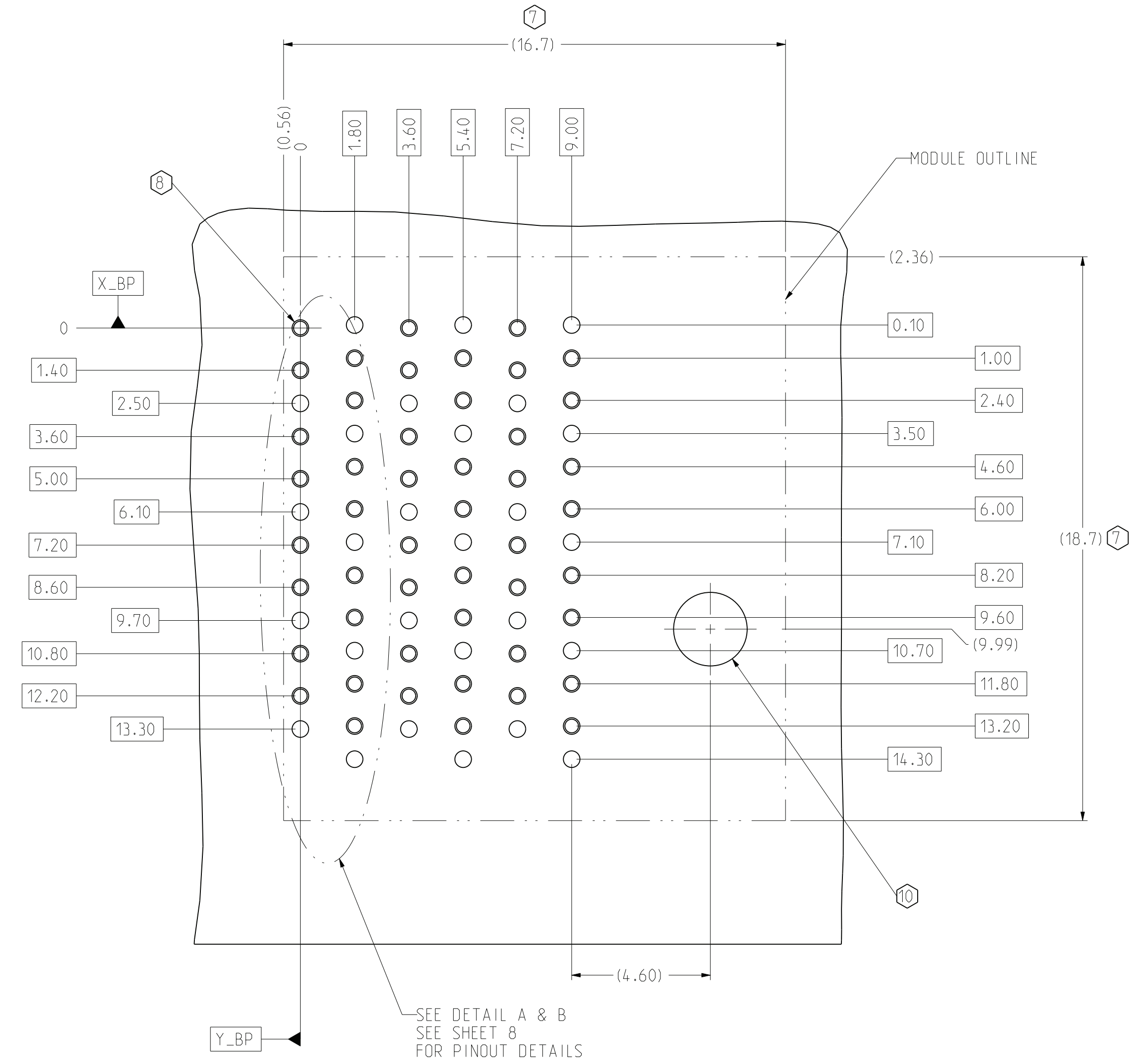
ZONE	REV	SCR NUMBER	DESCRIPTION	BY	DATE	APPROVED
			SEE SHEET 1			



RIGHT POLARIZING/GUIDE BACKPLANE MODULE DIMENSION

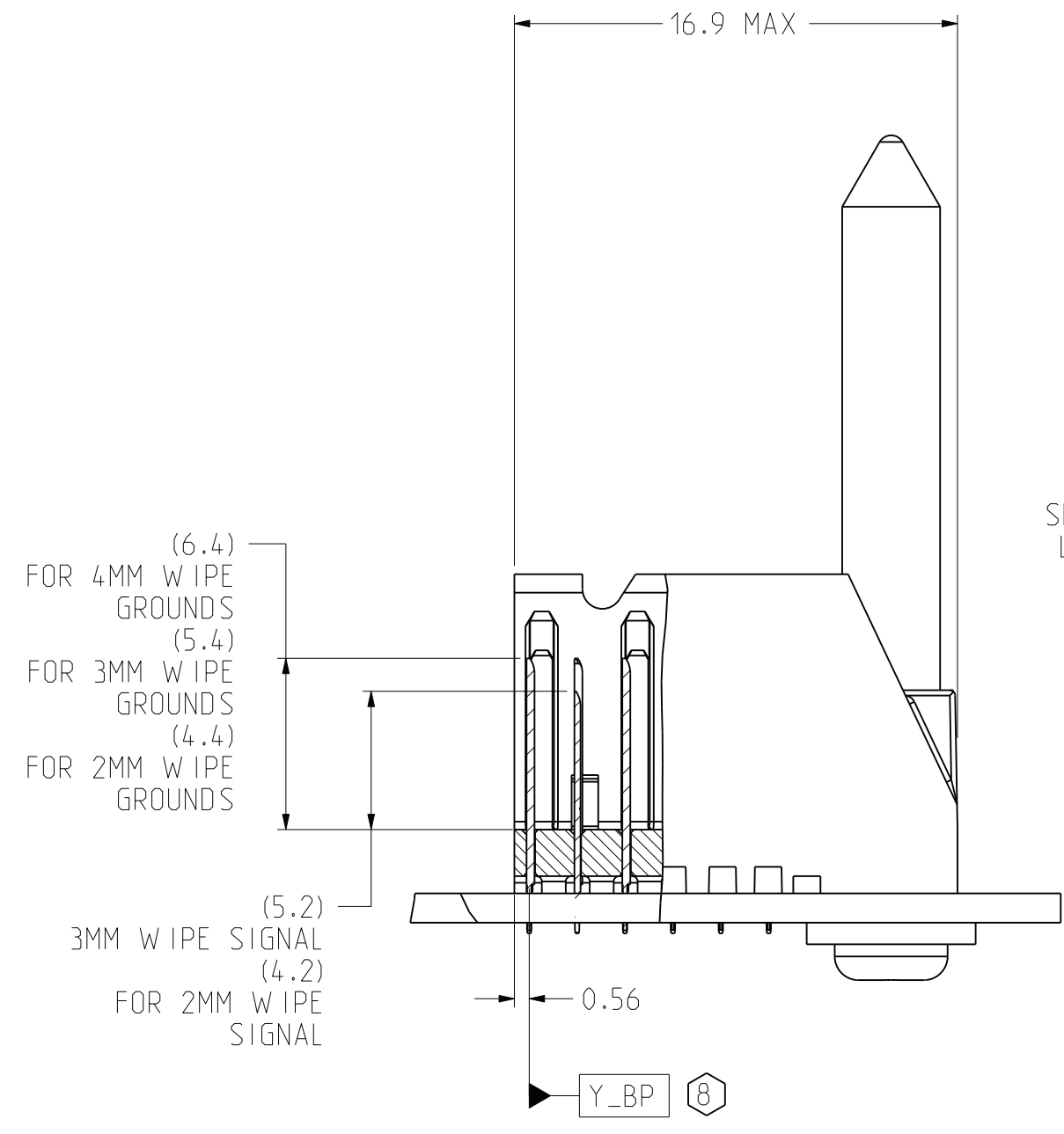


CONNECTOR REFERENCE SCALE 4/1

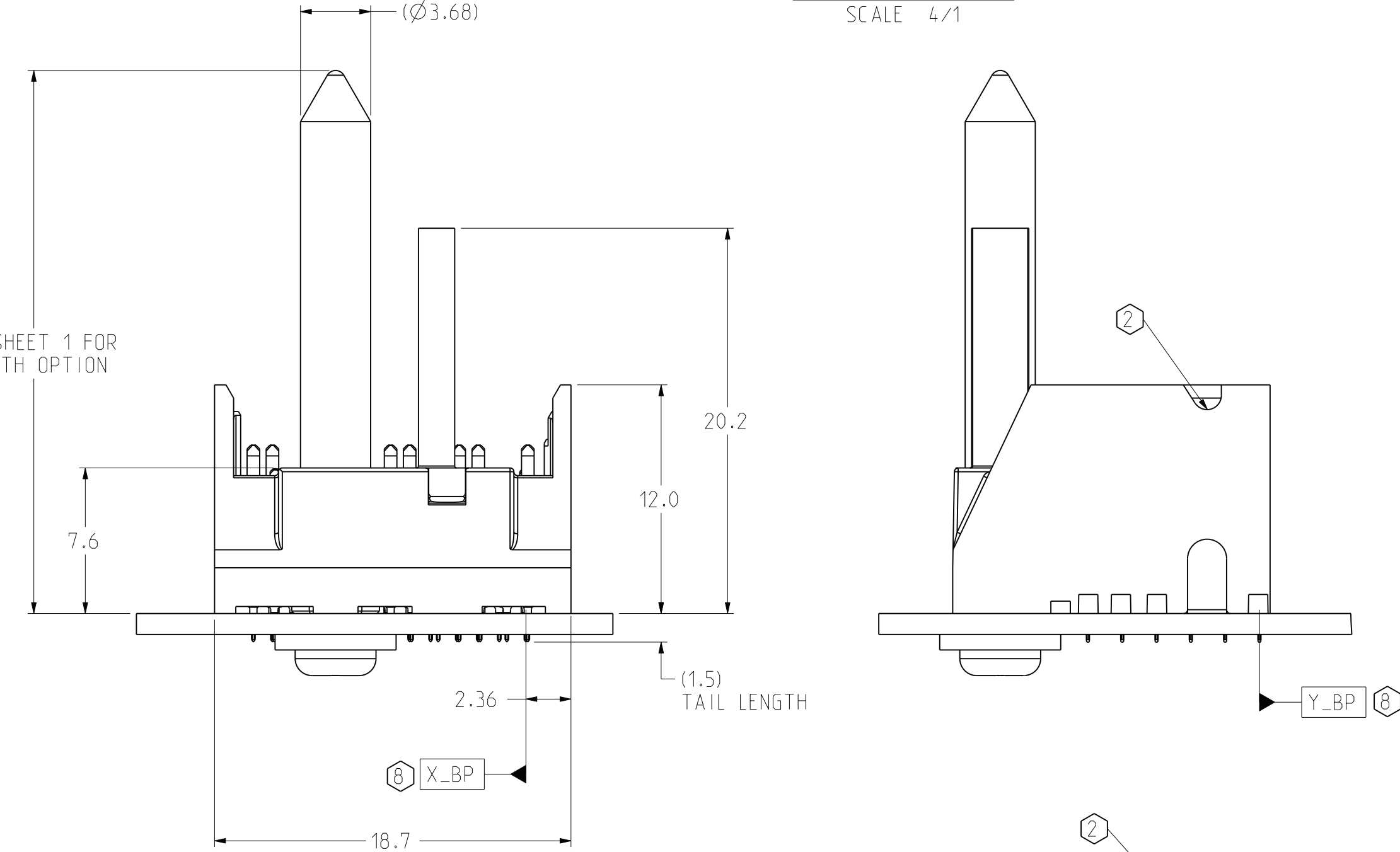


BP HOLE PATTERN COMPONENT SIDE SCALE 8/1

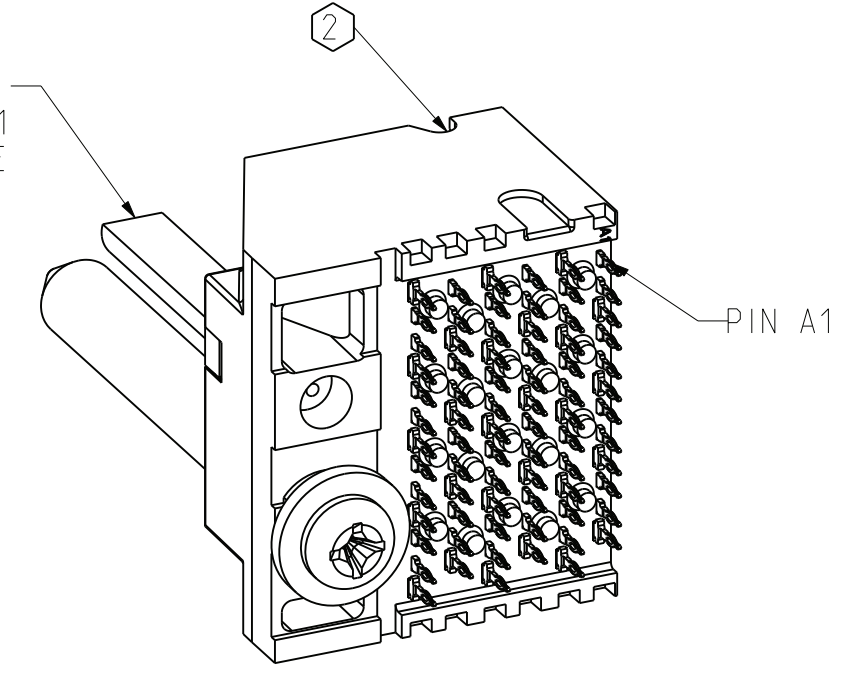
RIGHT POLARIZING/GUIDE BACKPLANE FOOTPRINT



SECTION Z-Z



OPTIONAL KEY SEE SHEET 1 PART NUMBER TREE



ISOMETRIC VIEW SCALE 3/1

TOLERANCES	DESIGN	DATE	DESIGNER
0.0	±0.25	12/18/2009	GIROUX
0.00	±0.13	01/29/2010	HCL-MH
0.000	± -	01/29/2010	GIROUX
ANGLES	± 3°	01/29/2010	APVD

**Amphenol TCS**  
A Division of Amphenol Corporation  
200 Innovative Way, Nashua, NH 03082 603.879.3000

TITLE BACKPLANE MODULES, VERTICAL MALE HEADER  
XCede HD, 4 PAIR 6 POSITION

PART NO. SEE PN TREE SHEET 1  
DRAWING NO. C-923-400C-500

UNLESS OTHERWISE SPECIFIED DIMENSIONS ARE IN MM. DECIMAL MARKER IS A PERIOD

INTERPRET PER ASME Y14.5M  
CODE IDENT 31413

CUSTOMER USE DRAWING

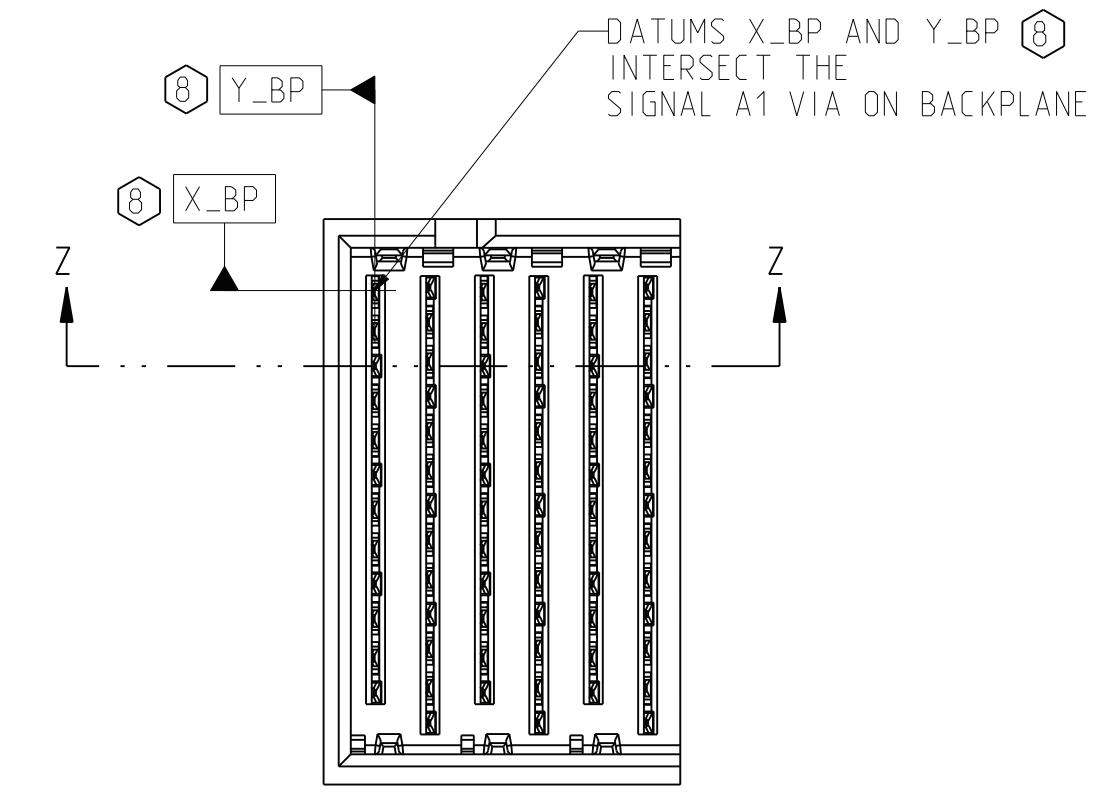
REV	DATE	BY	DESCRIPTION
4			
B			

ASSEM C923-400C-500  
DRAWING C923-400C-500  
SIZE D SCALE 1/1 SHEET 4 OF 8

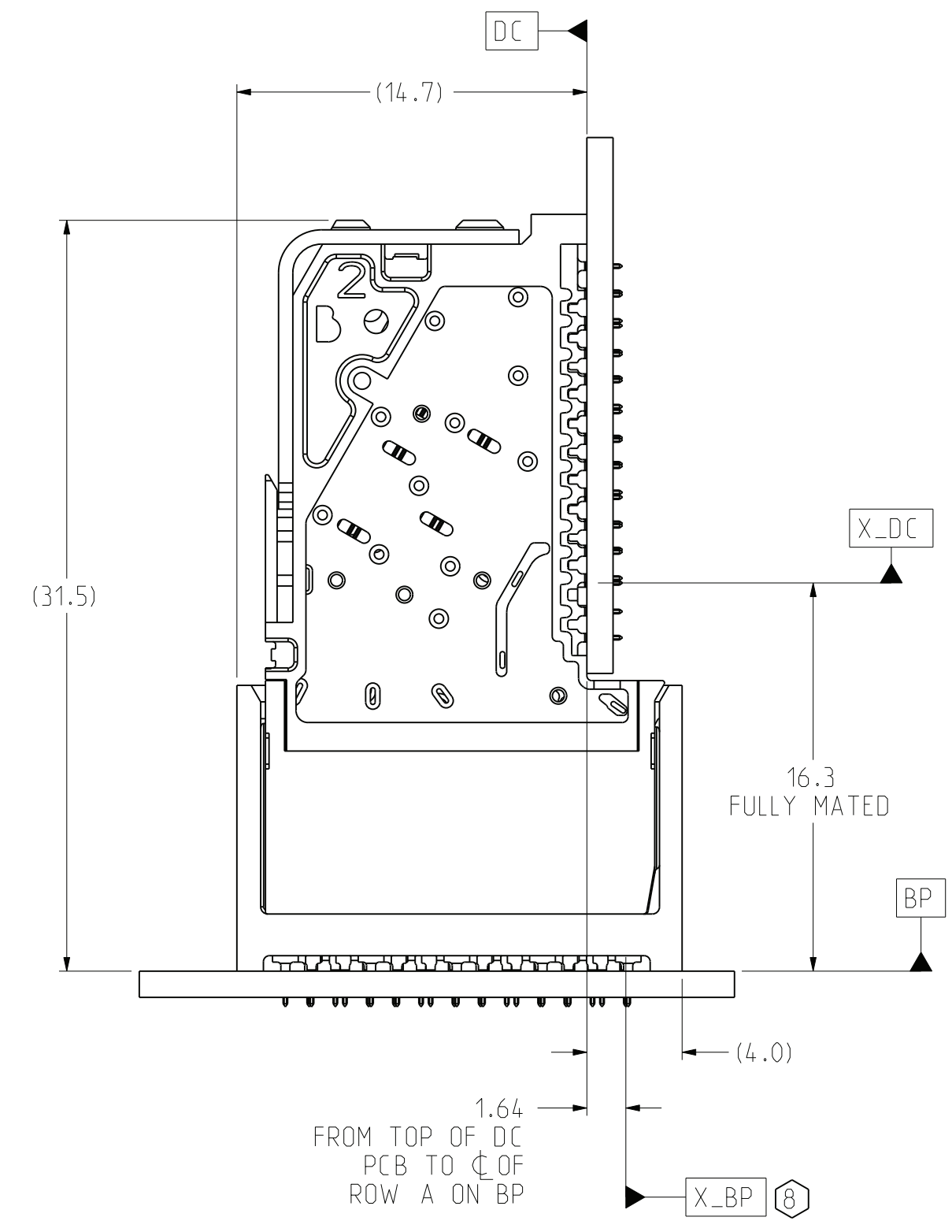
DRW NO. C-923-400C-500

SH 4 REV B

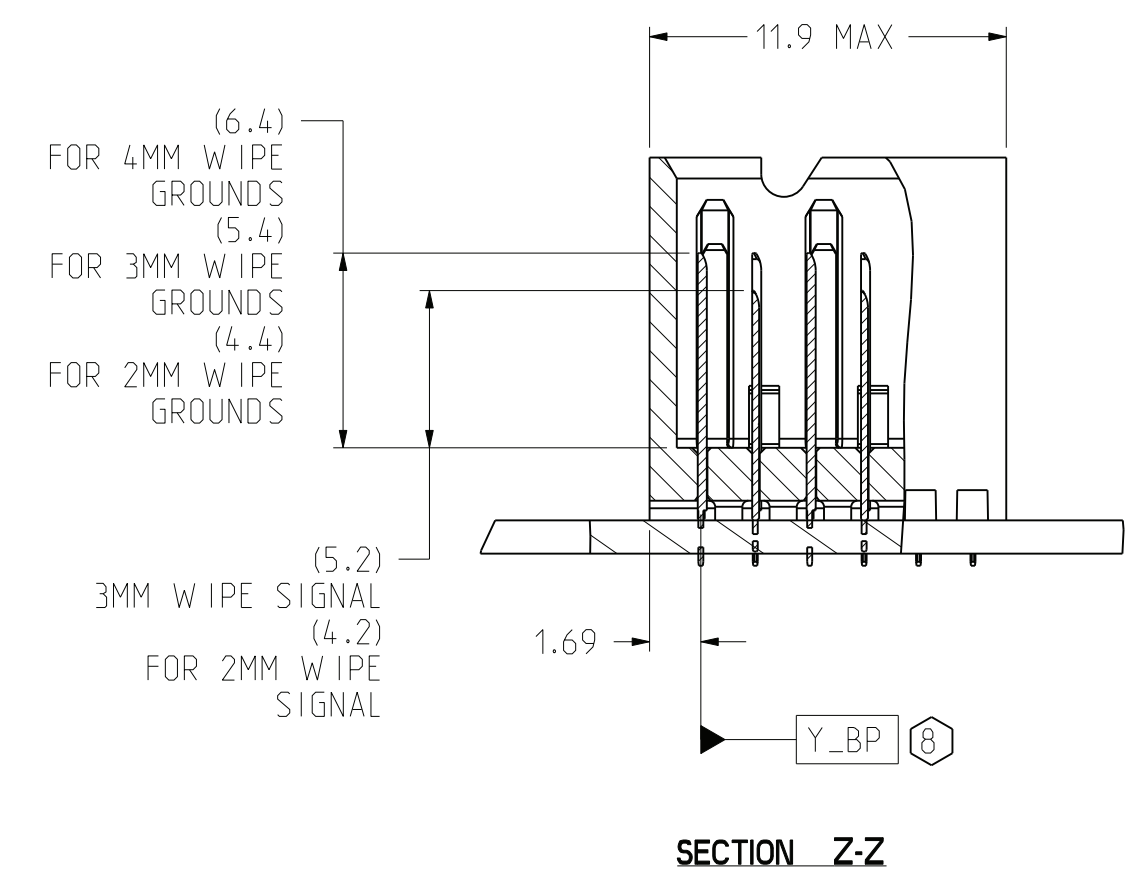
ZONE	REV	SCR NUMBER	DESCRIPTION	BY	DATE	APPROVED
			SEE SHEET 1			



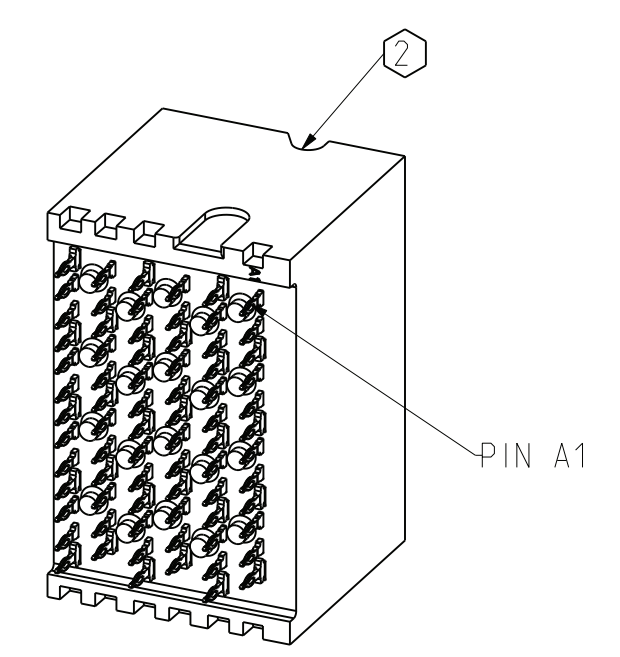
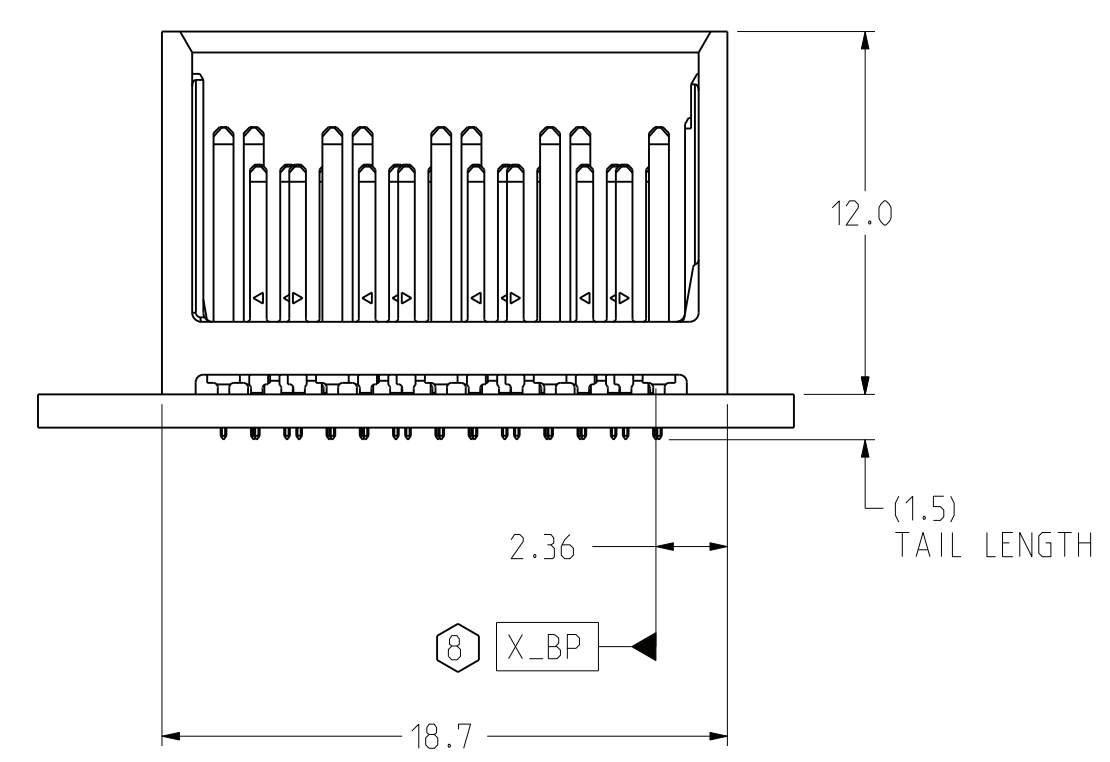
LEFT WALL BACKPLANE MODULE DIMENSION



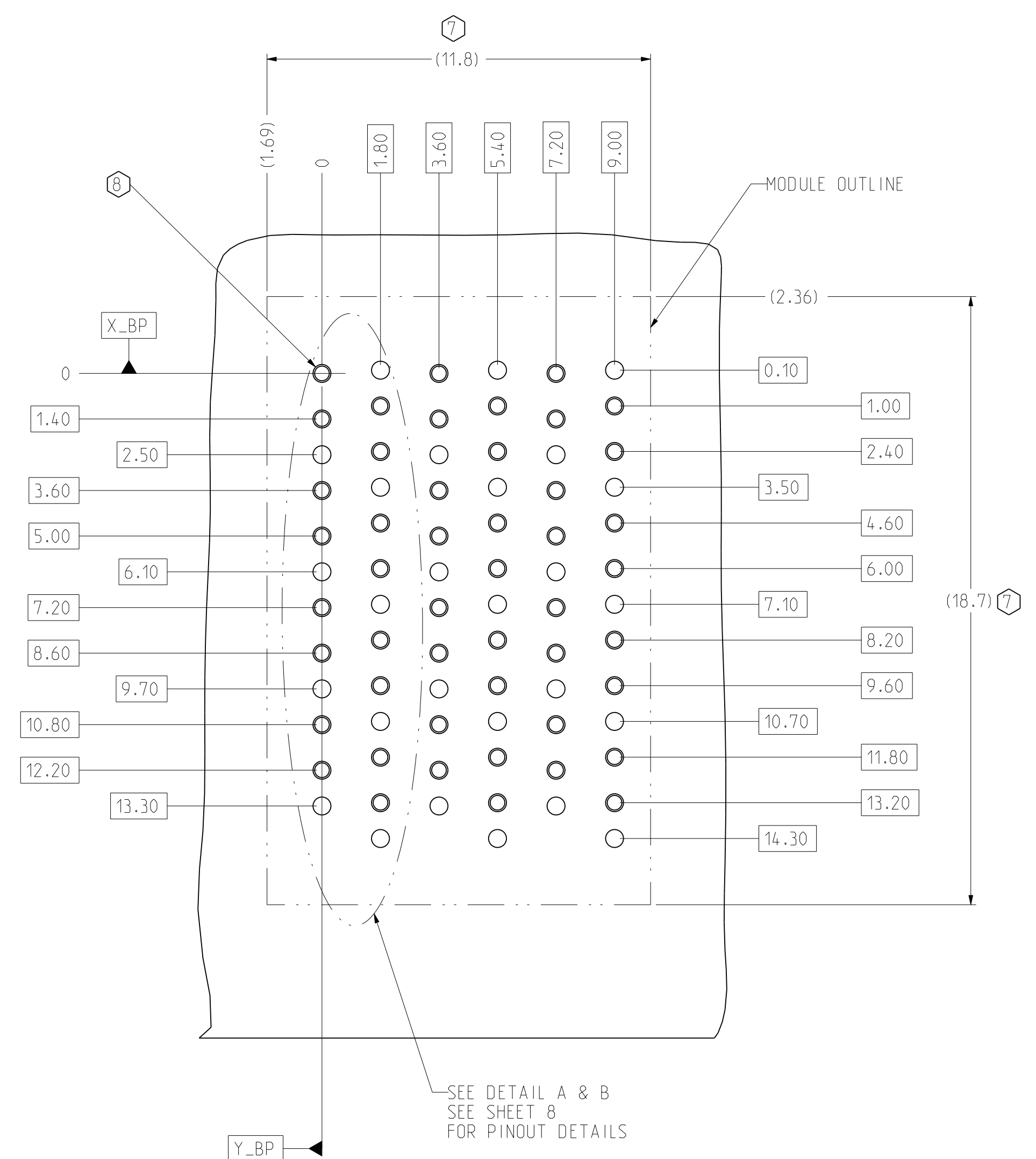
CONNECTOR REFERENCE SCALE 4/1



SECTION Z-Z



ISOMETRIC VIEW SCALE 3/1



BP HOLE PATTERN COMPONENT SIDE SCALE 8/1

LEFT WALL BACKPLANE FOOTPRINT

TOLERANCES	DESIGN	DATE	DESIGNER
0.0 ±0.25	12/18/2009		GIROUX
0.00 ±0.13	01/29/2010		HCL-MH
0.000 ± -	01/29/2010		GIROUX
ANGLES ± 3°	01/29/2010		APVD

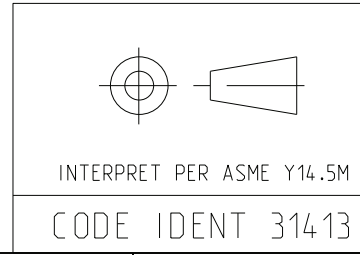
**Amphenol TCS**  
A Division of Amphenol Corporation  
200 Innovative Way, Nashua, NH 03082 603.879.3000

TITLE BACKPLANE MODULES, VERTICAL MALE HEADER  
XCede HD, 4 PAIR 6 POSITION

PART NO. SEE PN TREE SHEET 1  
REV N/A

DRAWING NO. C-923-400C-500  
REV B

ASSEM C923-400C-500 1.4  
DRAWING: C923-400C-500 B.0



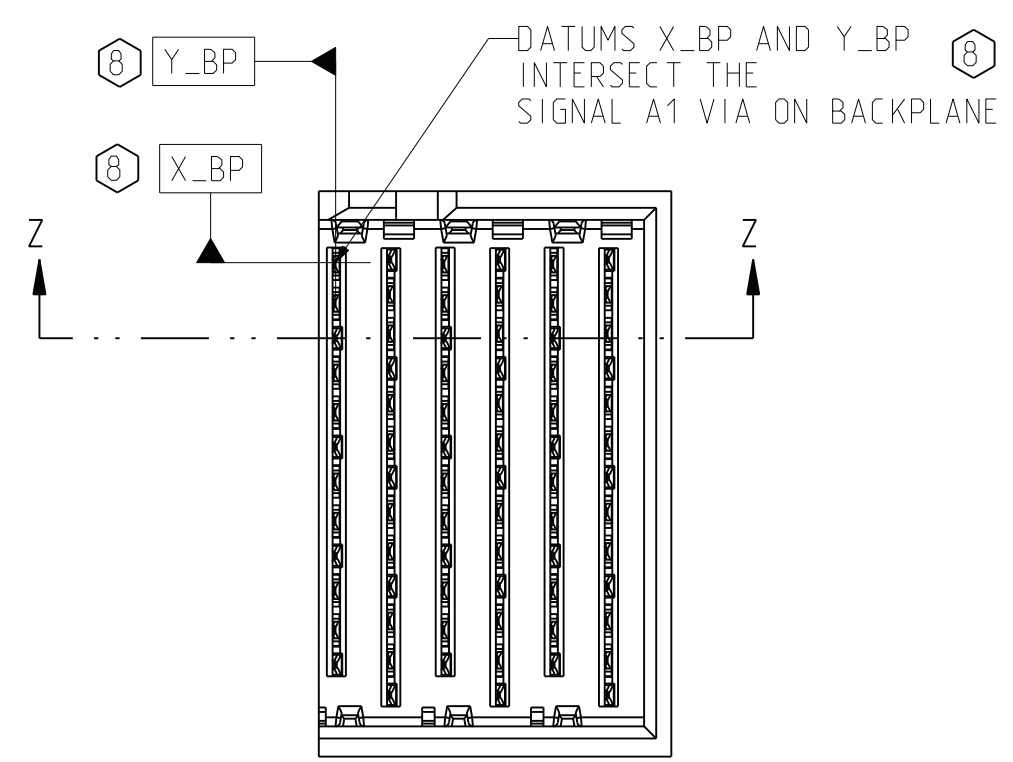
CUSTOMER USE DRAWING

SIZE D SCALE 1/1 SHEET 5 OF 8

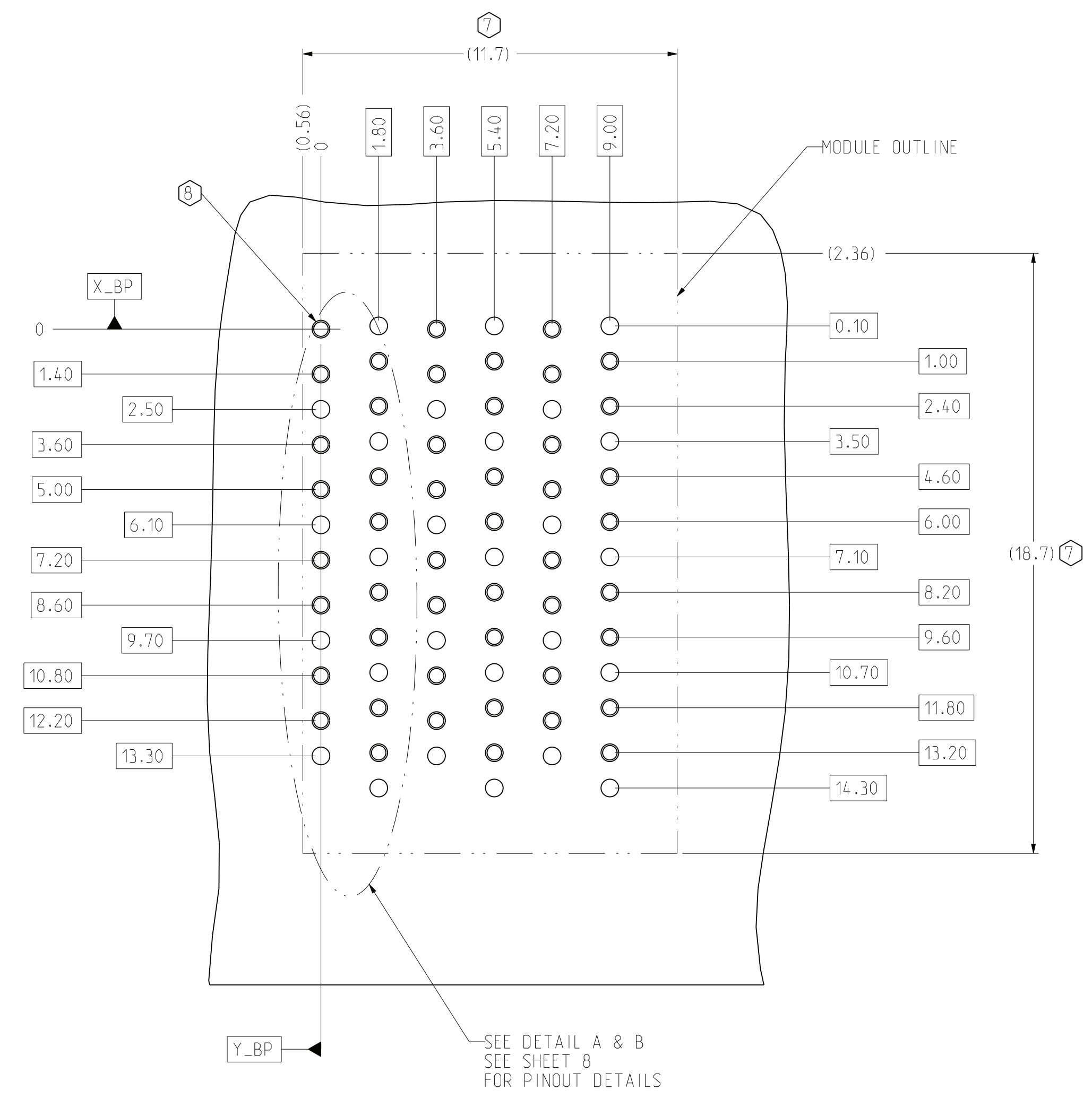
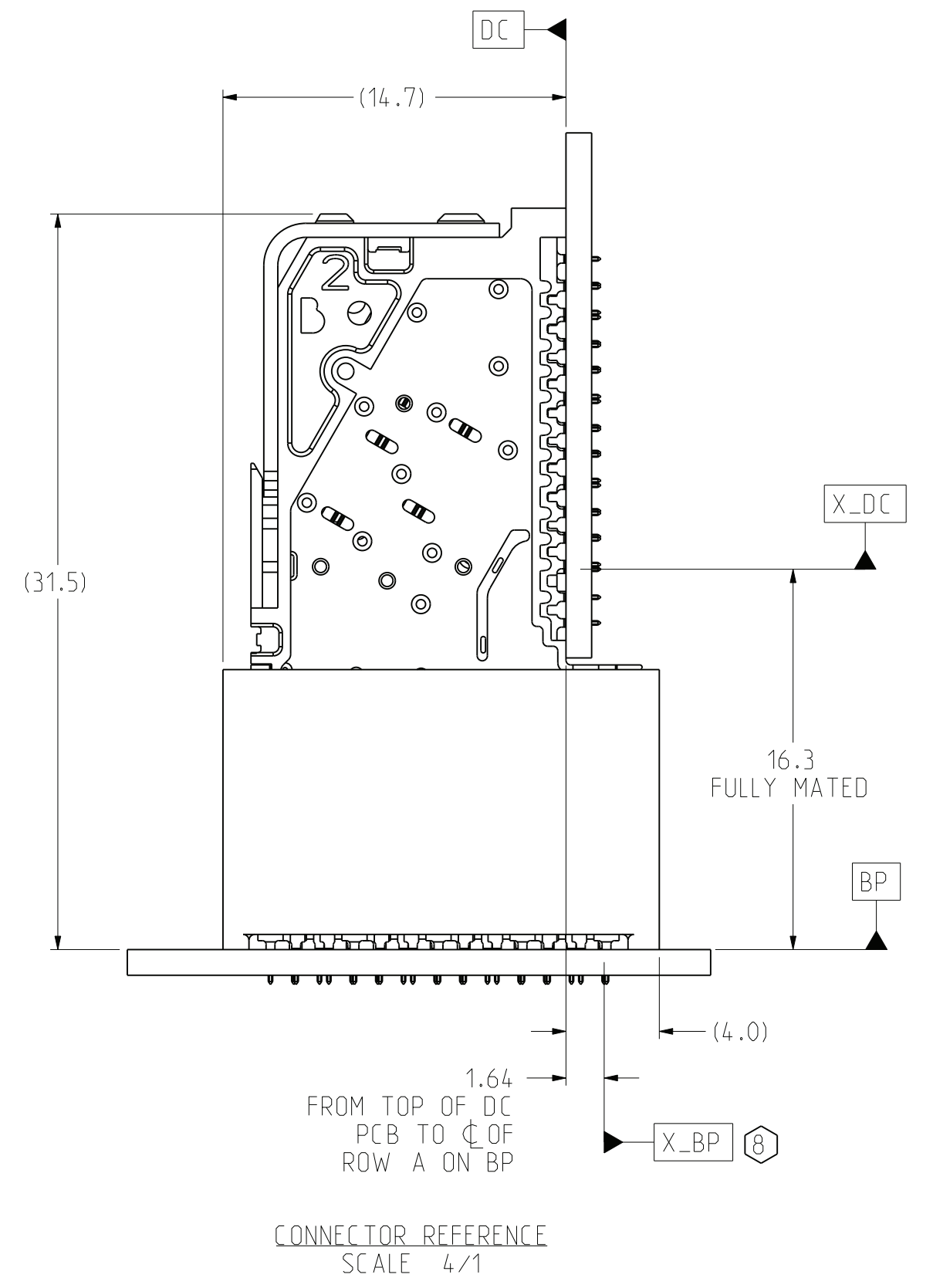
DRW NO. C-923-400C-500

SH 5 REV B

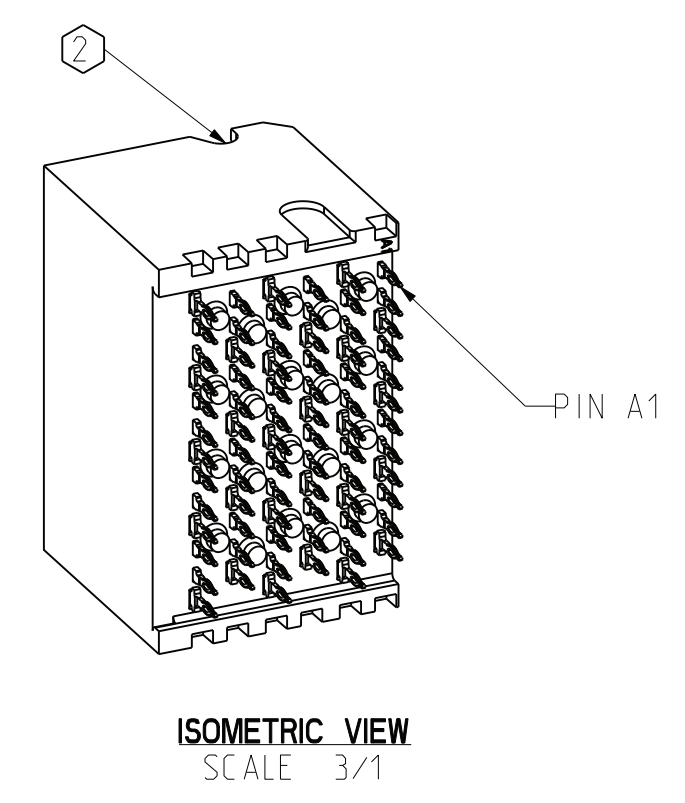
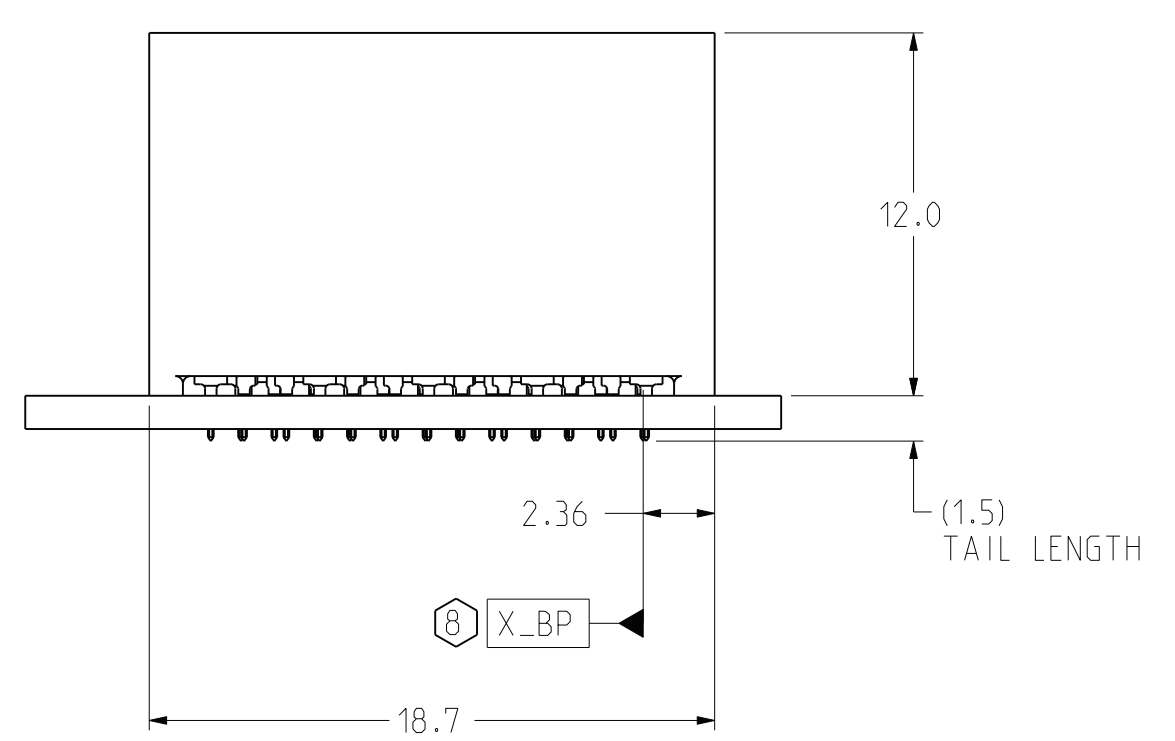
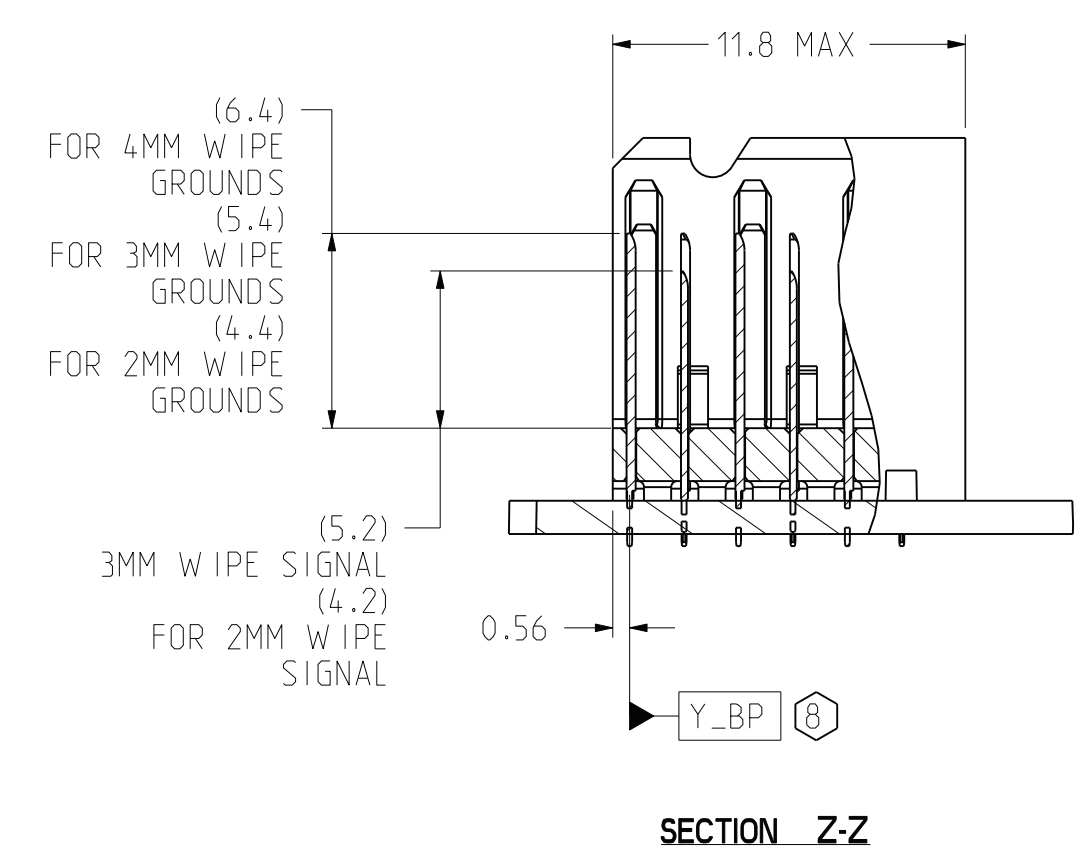
DRW NO.	C-923-400C-500	SH	6	REV	B	
ZONE	REV	SCR NUMBER	DESCRIPTION	BY	DATE	APPROVED
			SEE SHEET 1			



RIGHT WALL BACKPLANE MODULE DIMENSION



RIGHT WALL BACKPLANE FOOTPRINT



TOLERANCES	DESIGN 12/18/2009	GIROUX
0.0	±0.25	DRAWN 01/29/2010
0.00	±0.13	HCL-MH
0.000	± -	CHK 01/29/2010
ANGLES	± 3°	APVD 01/29/2010

**Amphenol TCS**  
A Division of Amphenol Corporation  
200 Innovative Way, Nashua, NH 03082 603.879.3000

TITLE BACKPLANE MODULES, VERTICAL MALE HEADER  
XCede HD, 4 PAIR 6 POSITION

PART NO. SEE PN TREE SHEET 1  
DRAWING NO. C-923-400C-500

UNLESS OTHERWISE SPECIFIED DIMENSIONS ARE IN MM. DECIMAL MARKER IS A PERIOD

INTERPRET PER ASME Y14.5M  
CODE IDENT 31413

CUSTOMER USE DRAWING

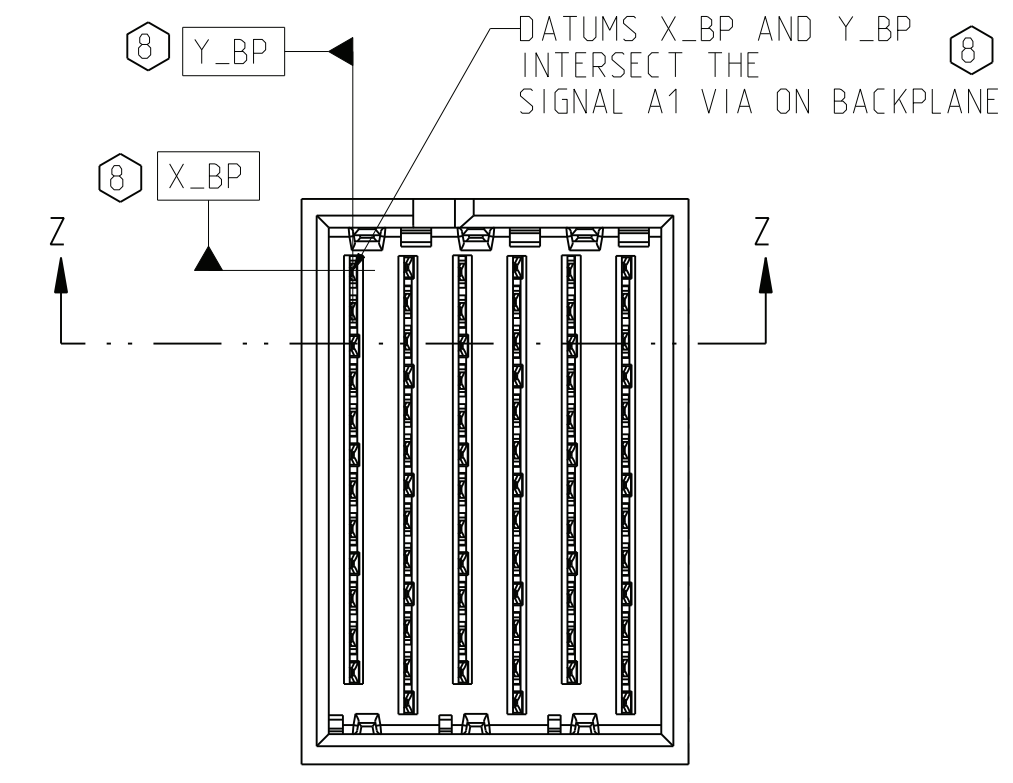
ASSEM C923-400C-500  
DRAWING C923-400C-500

SCALE 1/1 SHEET 6 OF 8

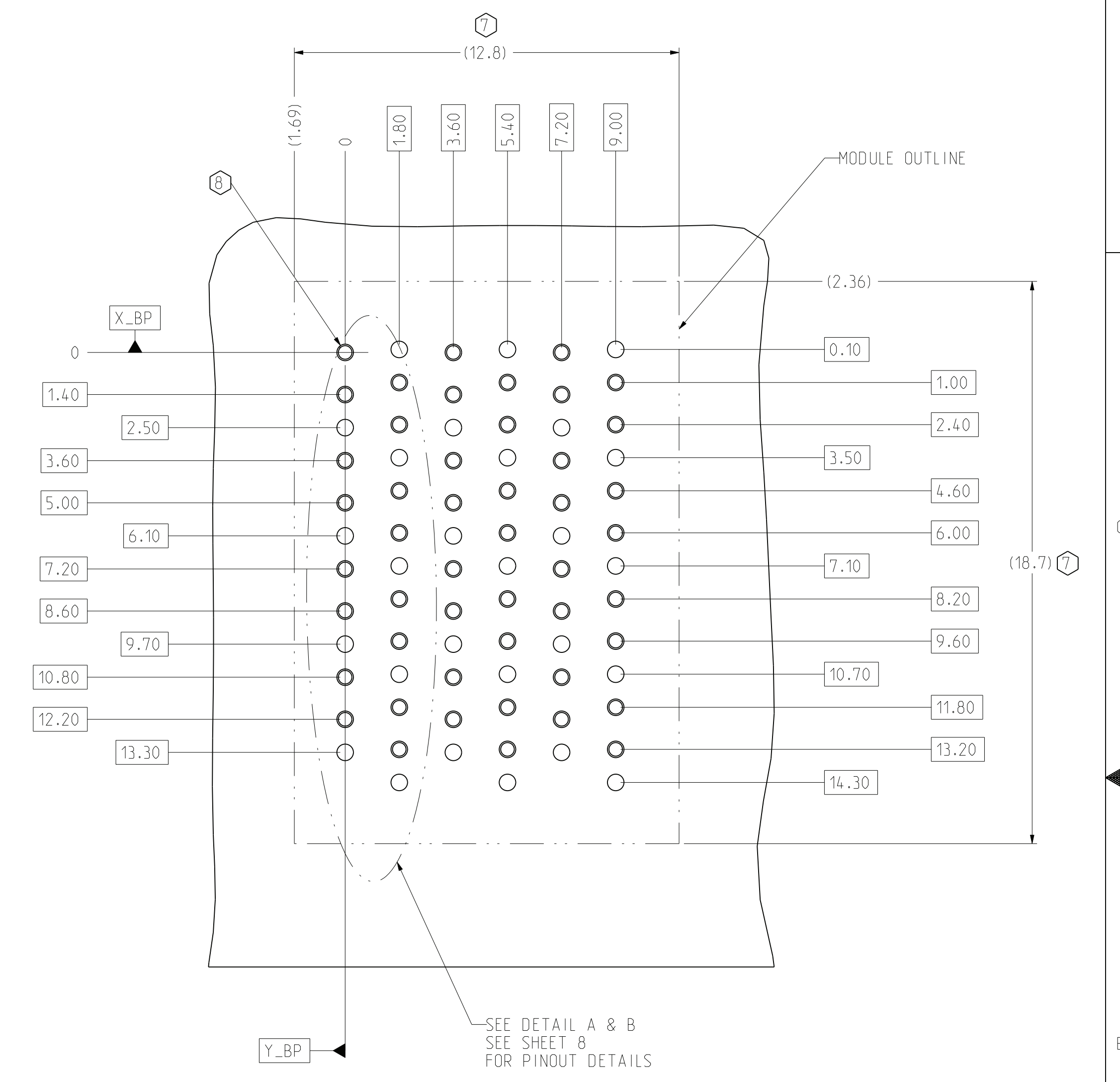
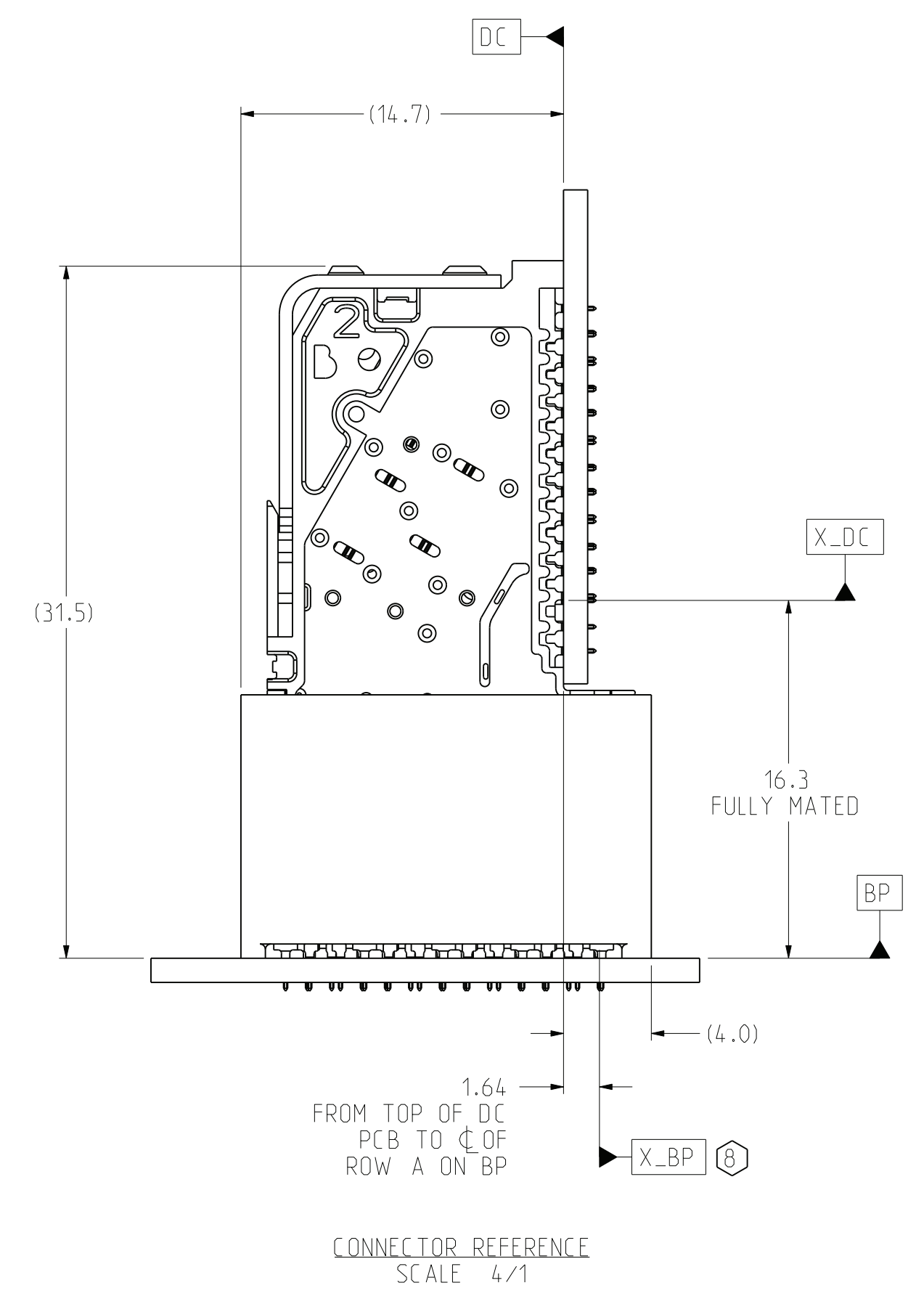
DRW NO. C-923-400C-500

SH 6 REV B

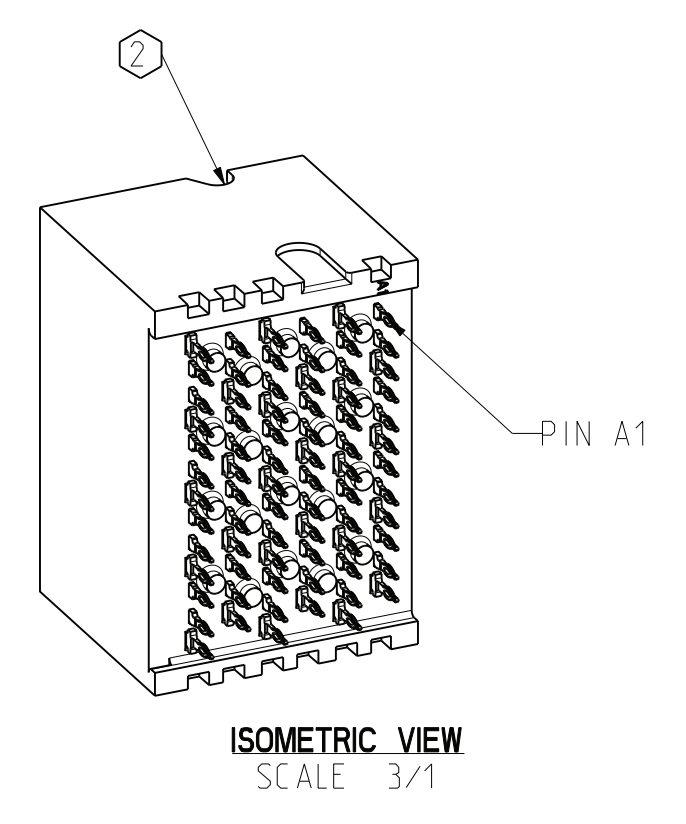
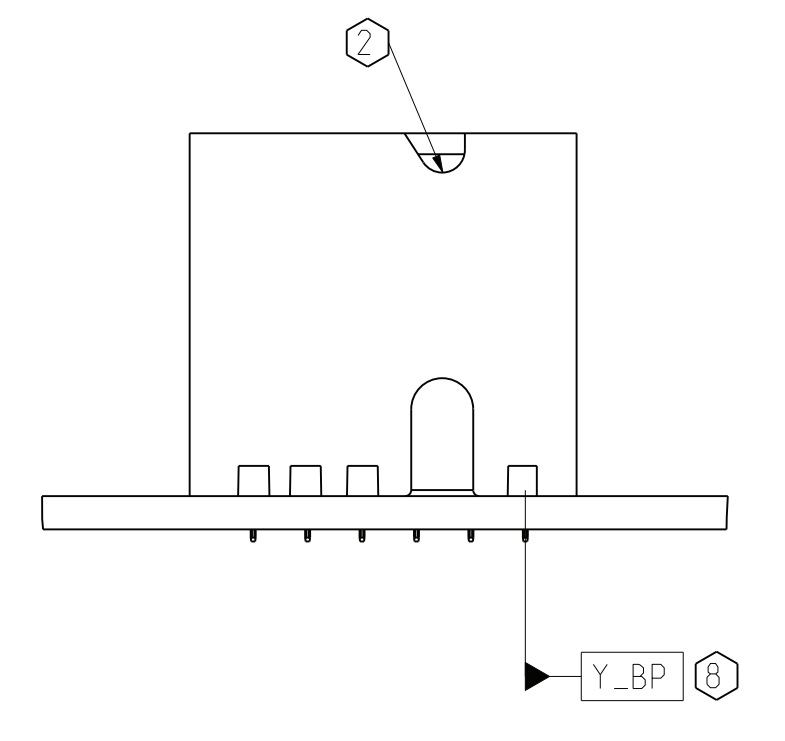
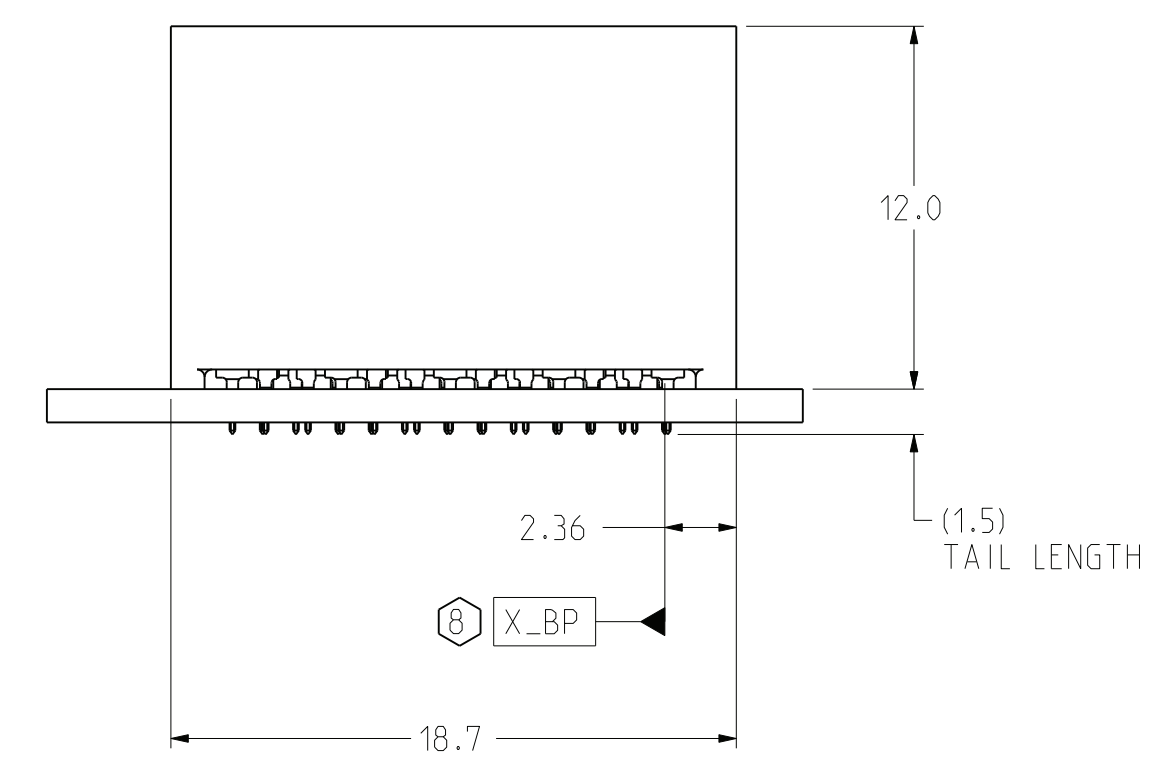
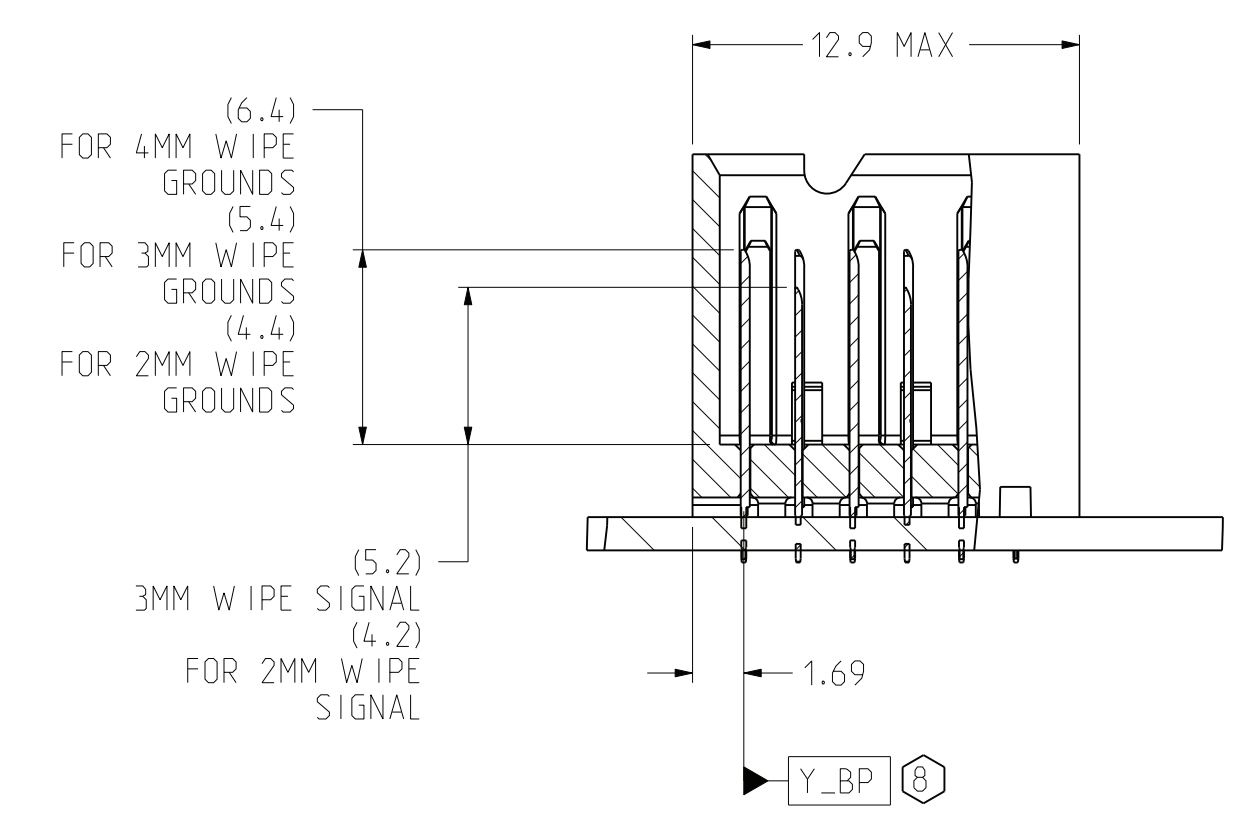
ZONE	REV	SCR NUMBER	DESCRIPTION	BY	DATE	APPROVED
			SEE SHEET 1			



TWO WALL BACKPLANE MODULE DIMENSION



TWO WALL BACKPLANE FOOTPRINT



TOLERANCES	DESIGN	DATE	DESIGNER
0.0 ±0.25	12/18/2009		GIROUX
0.00 ±0.13	01/29/2010		HCL-MH
0.000 ± -	01/29/2010		GIROUX
ANGLES ± 3°	01/29/2010		APVD

**Amphenol TCS**  
A Division of Amphenol Corporation  
200 Innovative Way, Nashua, NH 03082 603.879.3000

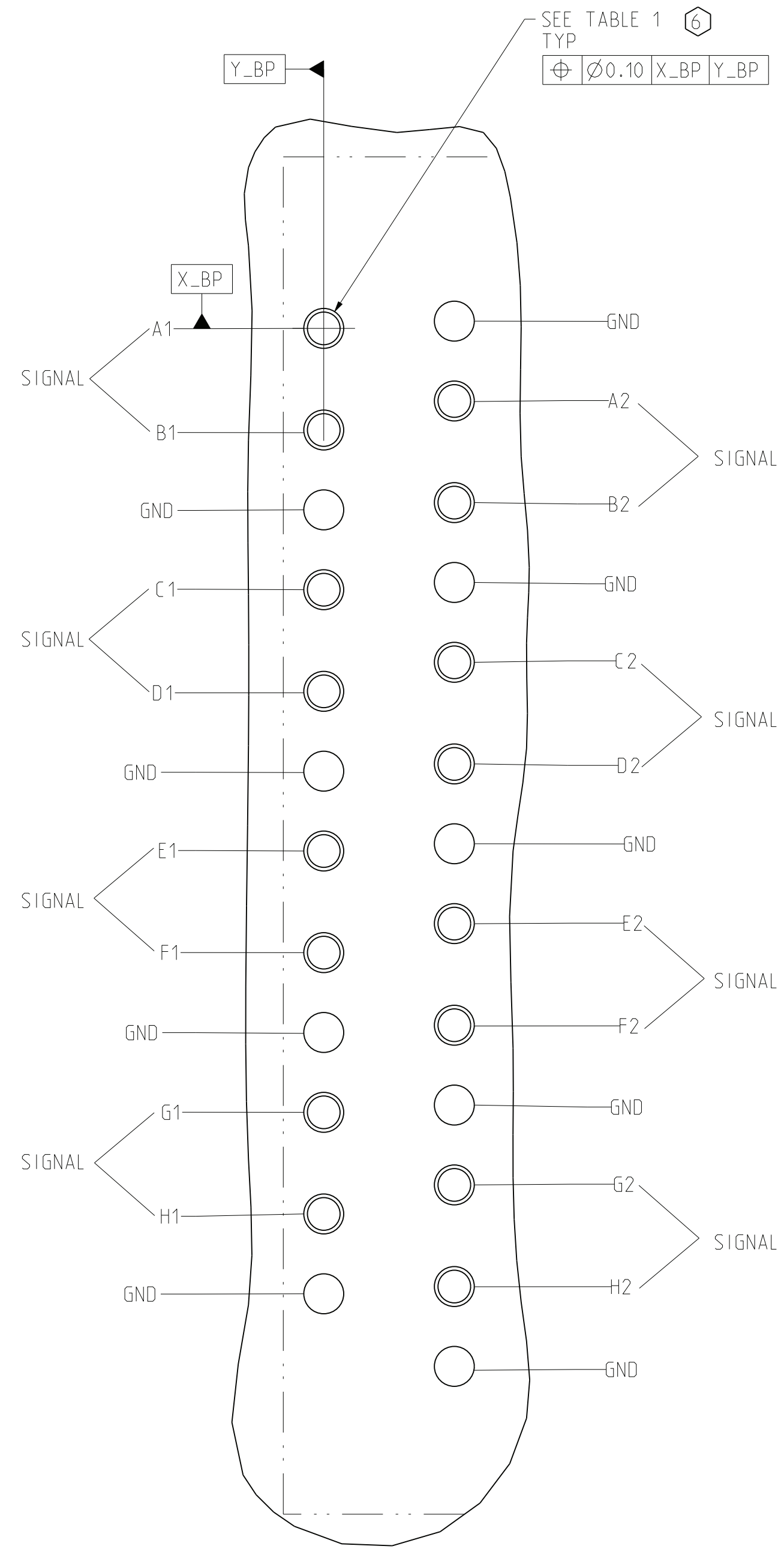
TITLE	PART NO.	REV
BACKPLANE MODULES, VERTICAL MALE HEADER XCede HD, 4 PAIR 6 POSITION	SEE PN TREE SHEET 1	N/A
DRAWING NO. C-923-400C-500		REV B
		1.4 B.0
ASSEM C923-400C-500 DRAWING C923-400C-500		

INTERPRET PER ASME Y14.5M  
CODE IDENT 31413

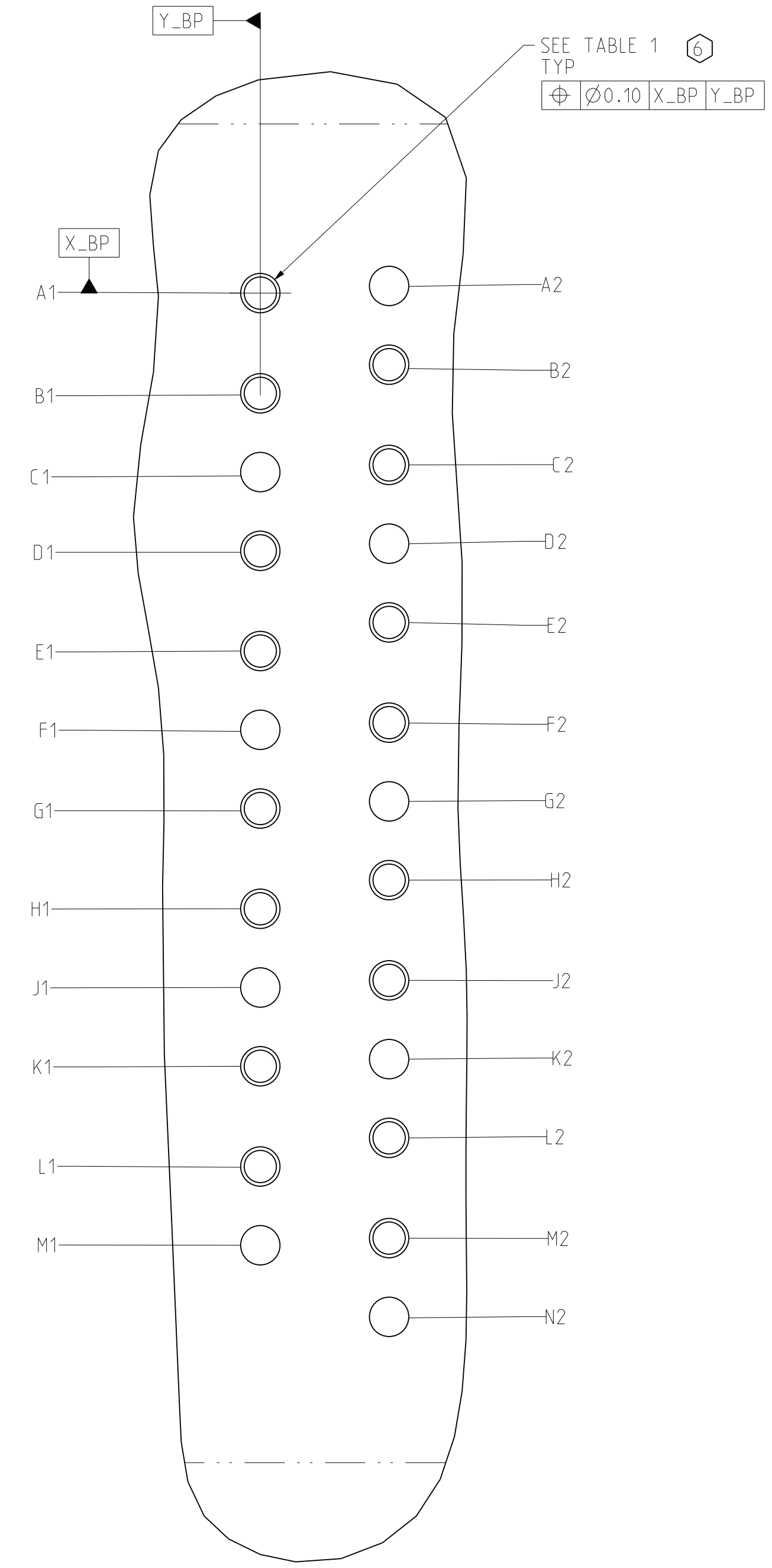
CUSTOMER USE DRAWING

SIZE	D	SCALE	SHEET
		1/1	7 OF 8

ZONE	REV	SCR NUMBER	DESCRIPTION	BY	DATE	APPROVED
			SEE SHEET 1			



**DETAIL A**  
HSD PINOUTS  
SCALE 16/1



**DETAIL B**  
LC PINOUTS  
SCALE 16/1

**TABLE 1**

	COMPLIANT PIN DRILL Ø0.0217"	COMPLIANT PIN DRILL Ø0.0177"
PTH	Ø0.45±0.05	Ø0.36±0.05
DRILL	Ø0.55 [0.0217"]	Ø0.45 [0.0177"]
PAD	Ø0.85	Ø0.75

TOLERANCES		DESIGN 12/18/2009 GIROUX	<b>Amphenol TCS</b> A Division of Amphenol Corporation 200 Innovative Way, Nashua, NH 03082 603.879.3000	TITLE	BACKPLANE MODULES, VERTICAL MALE HEADER XCede HD, 4 PAIR 6 POSITION		
0.0	±0.25	DRAWN 01/29/2010 HCL-MH		PART NO.	SEE PN TREE SHEET 1	REV N/A	
0.00	±0.13	CHK 01/29/2010 GIROUX		DRAWING NO.	C-923-400C-500	REV B	
0.000	± -	APVD 01/29/2010 GIROUX		ASSEM	C923-400C-500	1.4	
ANGLES	± 3°	UNLESS OTHERWISE SPECIFIED DIMENSIONS ARE IN MM. DECIMAL MARKER IS A PERIOD.		DRAWING	C923-400C-500	B.0	
INTERPRET PER ASME Y14.5M CODE IDENT 31413			<b>CUSTOMER USE DRAWING</b>		SIZE D	SCALE 1/1	SHEET 8 OF 8

DRW NO. C-923-400C-500

SH 8 REV B