

SPECIFICATIONS

Mechanical

Connector Mating Force: 0
 Connector Unmating Force: 25gf/pin Min.
 Durability: 30 Cycles

Electrical

Voltage Rating: 50V
 Current Rating :0.5A
 Contact Resistance: Initial 50mΩ Max; After test 100mΩ Max
 Dielectric Withstanding Voltage: 500V AC at 60Hz for 1 Minute
 Insulation Resistance: 500MΩ Min. at 500V DC

Physical

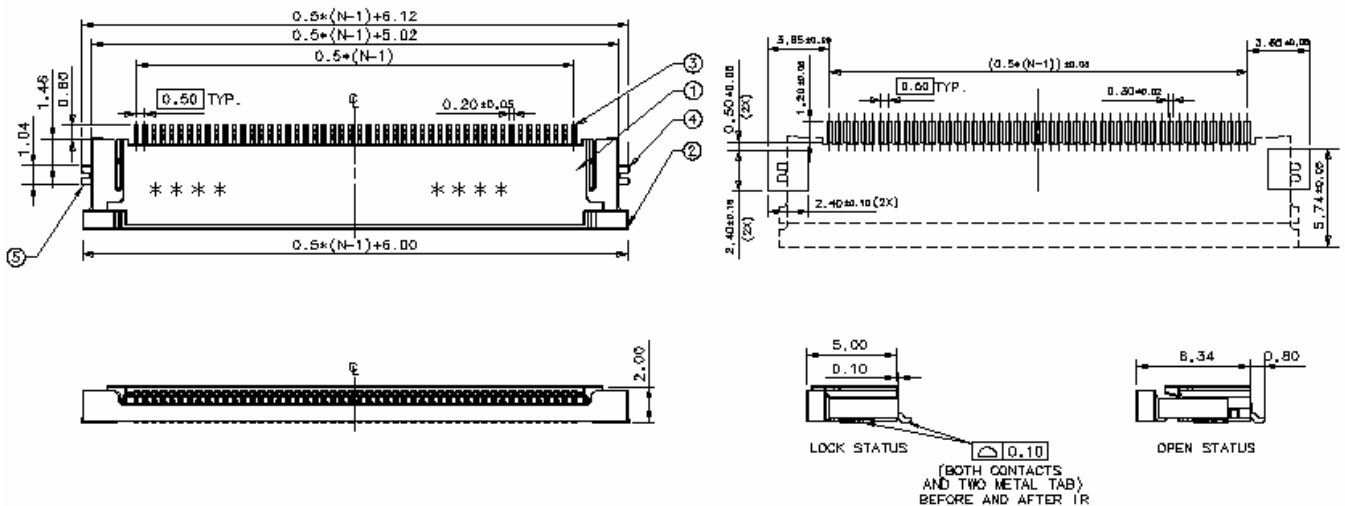
Housing: Thermoplastic, UL94V-0 Rated in Natural Color
 Stuffer: Thermoplastic, UL94V-0 Rated in Black Color
 Contact: Copper Alloy
 Metal ear: Copper Alloy
 Plating: See "ORDERING INFORMATION"
 Operating Temperature: -40°C to +85°C

FPC/FFC Connector

GB Series
 Horizontal, SMT, Top Contact
 0.50mm [.019"] Pitch
 ZIF Type
 50Pos.



DRAWING



ORDERING INFORMATION

GB10***-*041-7*/7*T

- EXTENSION CODE
- LEAD FREE CODE:
 F=LEAD FREE(PURE TIN)
 M=MATTE TIN
 S=SEMI-BRIGHT TIN
 B=BRIGHT TIN
 C=TIN COPPER
- 7-TAPE&REEL
- EXTENSION CODE
- PROFILE HEIGHT: 4-2.0mm
- ZIF STRUCTURE: STUFFER
- SOLDER TAIL: 0-SINGLE ROW WITH TIN PLATING
 1-SINGLE ROW WITH GOLD PLATING
- CONTACT AREA PLATING : 0=TIN PLATING
 1=GOLD PLATING
- POS. NO.:(N)
- CONTACT TYPE: TOP CONTACT
- PITCH: 0.50mm