



Front



Back

FXR.01.07.0100C.A

Specification

Part No.	FXR.01.07.0100C.A
Product Name	Flexible Near-Field Communications Reader Antenna
Feature	<p>13.56MHz Peel and Stick Antenna 1.37 micro coax cable, IPEX MHFI(U.FL) Read distance out to 5 cm Adheres directly to product inner housing 53.3*36.8mm RoHS Compliant</p>

1. Introduction

Taoglas has developed an NFC (Near Field Communications) antenna for use with NFC readers.

This standard design is matched to a 50 Ohm system and provides a well matched solution for NFC readers.

The antenna is dimensioned to provide the capability of interrogating typical size NFC tags out to a 5cm distance.

This standard antenna is delivered with a coaxial cable connected to the antenna element to ease use and integration into customer devices.

The flex design provides a flexible antenna that can be adhered to the plastic enclosure of the customer device. At only 0.1mm thickness it allows

antenna placement in small devices and takes minimum footprint.

The standard NFC antenna has an integrated matching circuit to provide a well matched antenna. The Q of the antenna/matching circuit combination has been selected to provide a solution where the bandwidth and read performance have been optimized for best tag interrogation performance.

Along with the integrated coaxial cable, this antenna is read to connect to the reader for quick installation and operation.

This standard antenna design can be modified to provide a customized solution where the antenna area is maximized for

a specific application to enhance interrogation distance.

With the NFC protocol being based on magnetic coupling between the reader antenna and the NFC tag antenna, antenna area will directly relate to interrogation distance.

Three areas of modification that can be undertaken are:

1. Optimize area of the antenna design for a specific application
2. Customize matching circuit for a specific application
3. Apply ferrite material to improve interrogation distance

2. Specification

Flexible PCB Near-Field Communications Reader Antenna

Frequency	13.56 MHz
Return Loss	≥ 10 dB
Polarization	Linear
Impedance	50 Ω

Mechanical

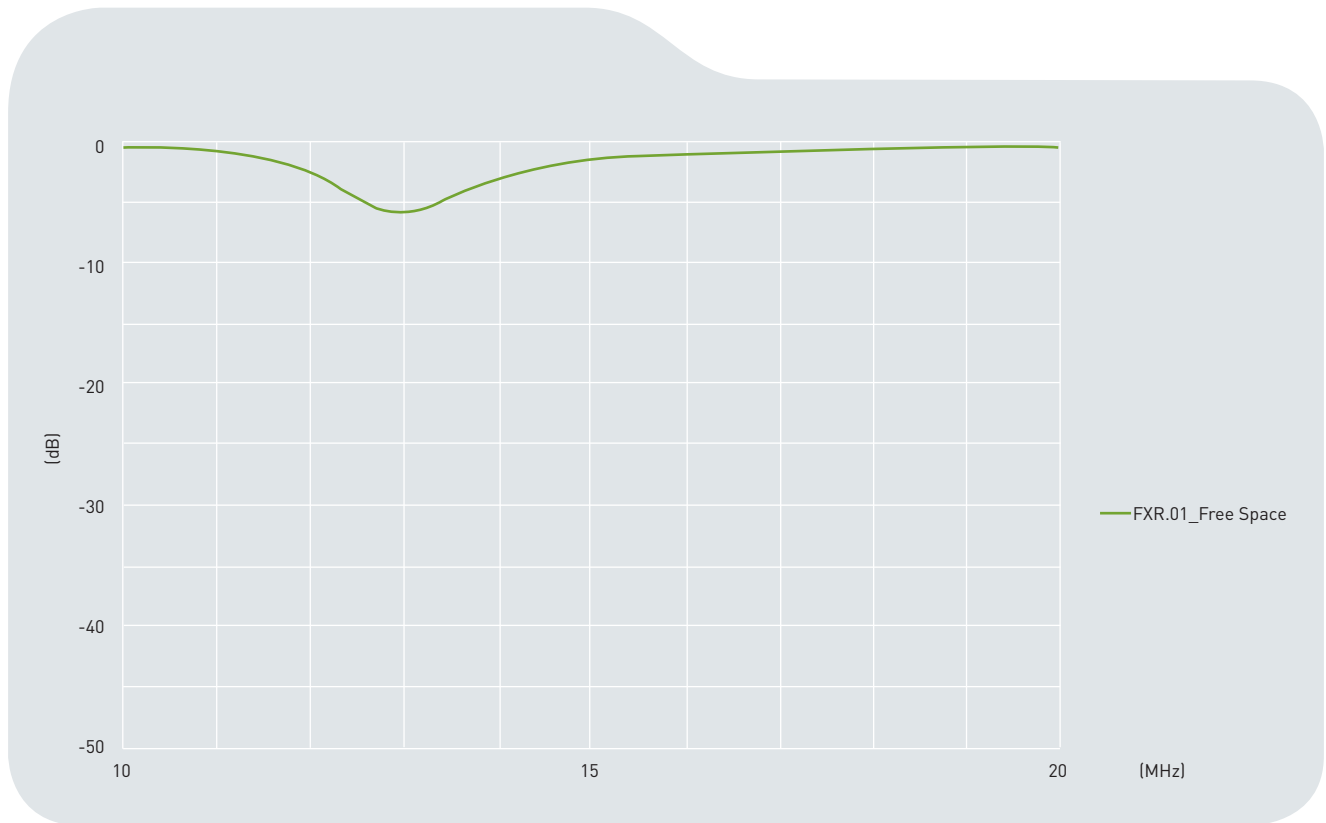
Antenna Dimensions	53.3 x 36.8mm
Connector	MHFI (U.FL Compatible)
Standard Cable	Mini-Coax. 1.37mm
RoHS Compliant	Yes
Adhesive	3M 467

Environmental

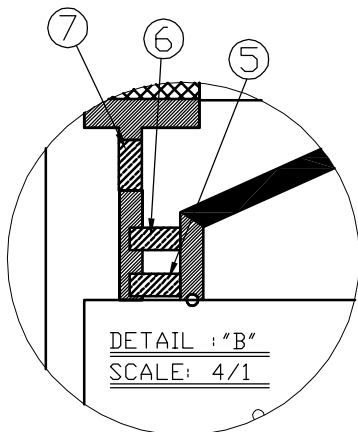
Operation Temperature	-40°C to 85°C
Storage Temperature	-40°C to 85°C
Humidity	Non-condensing 65°C 95% RH

3. Antenna Characteristics (Free Space)

3.1 Return Loss



3.2 Matching

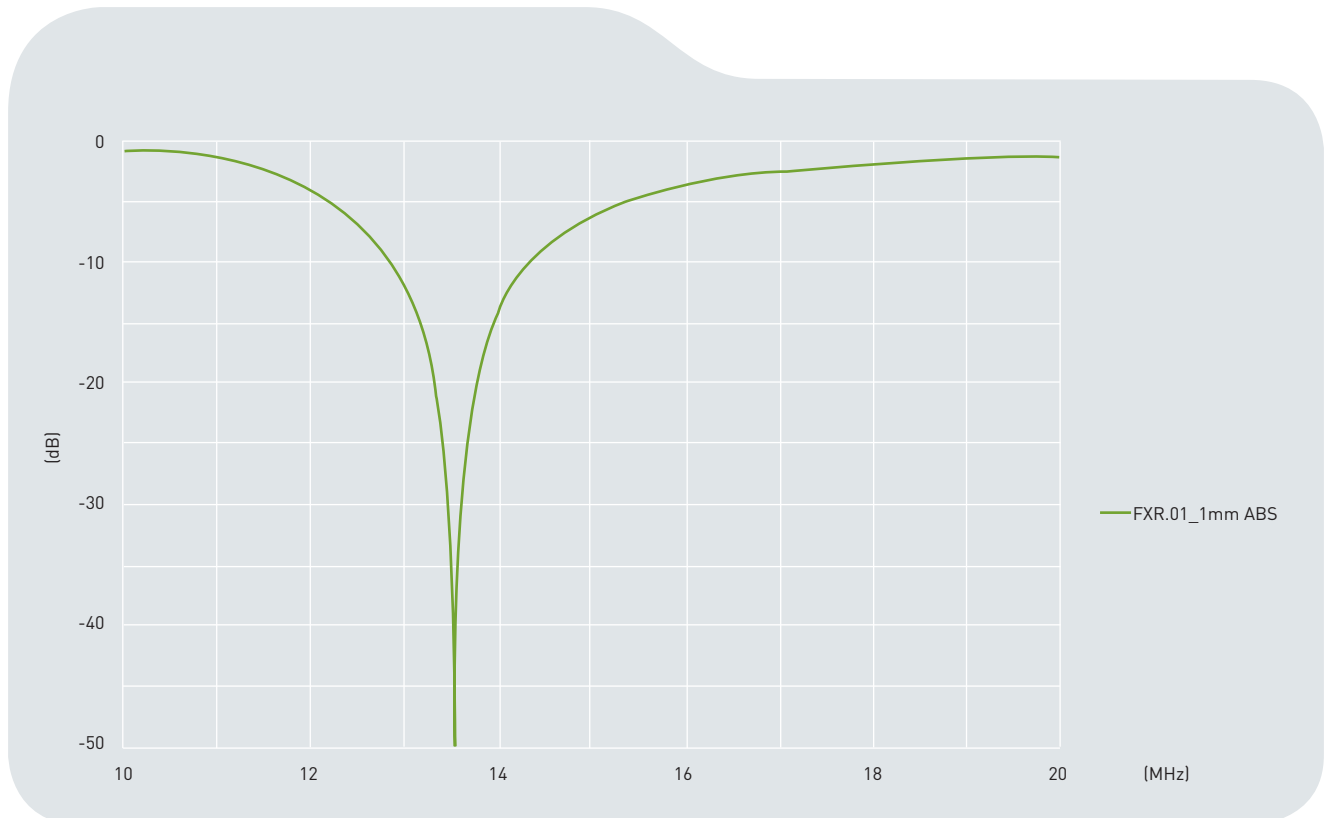


5	82 pF 0603 Components	Ceramic	White	1
6	680 Ohm 0603 Resistor	Ceramic	White	1
7	39 pF 0603 Components	Ceramic	White	1

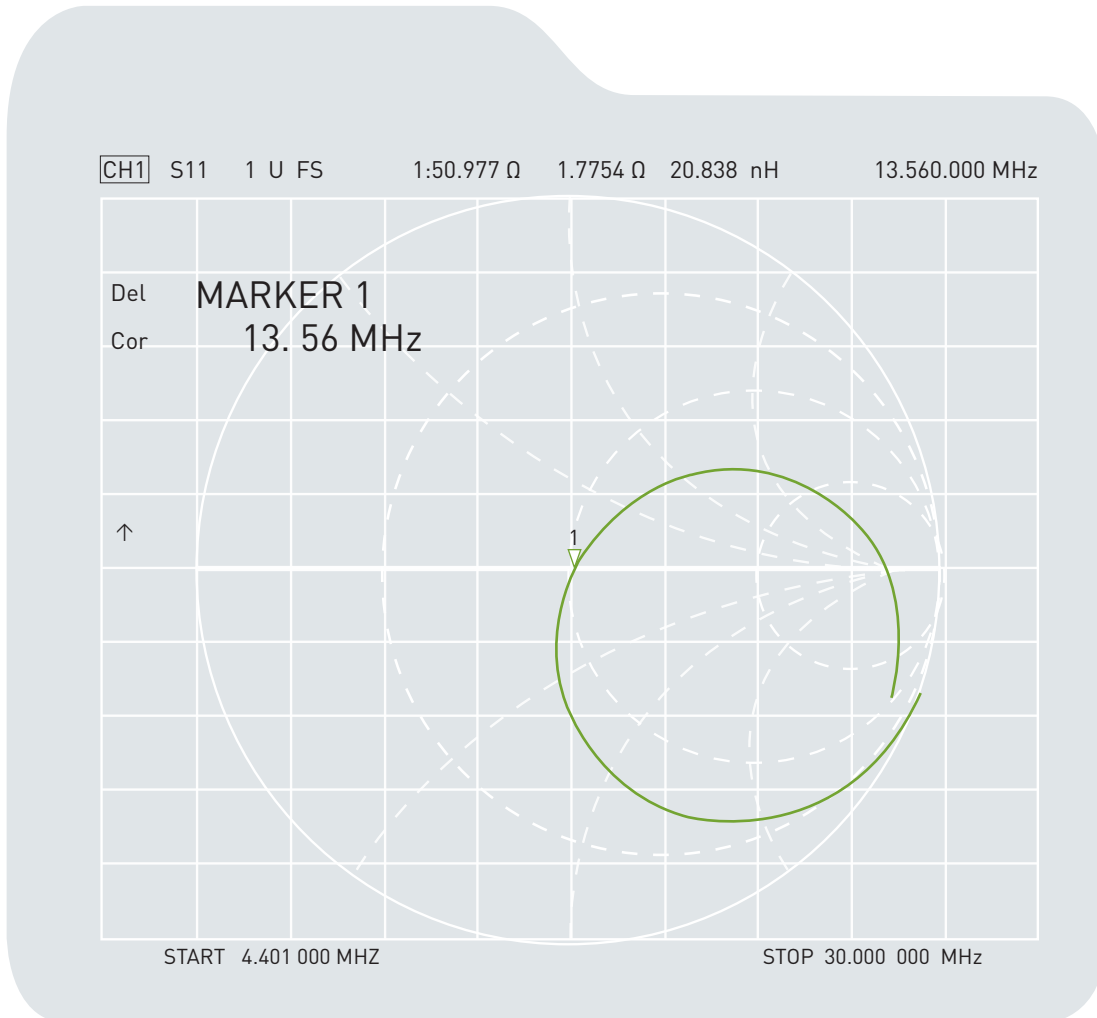
4. Antenna Characteristics (on 1mm ABS)



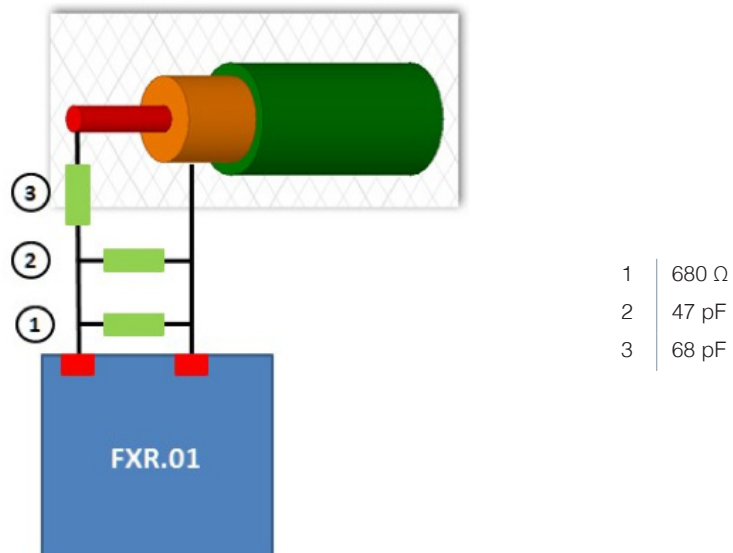
4.1 Return Loss



4.2 Smith Chart



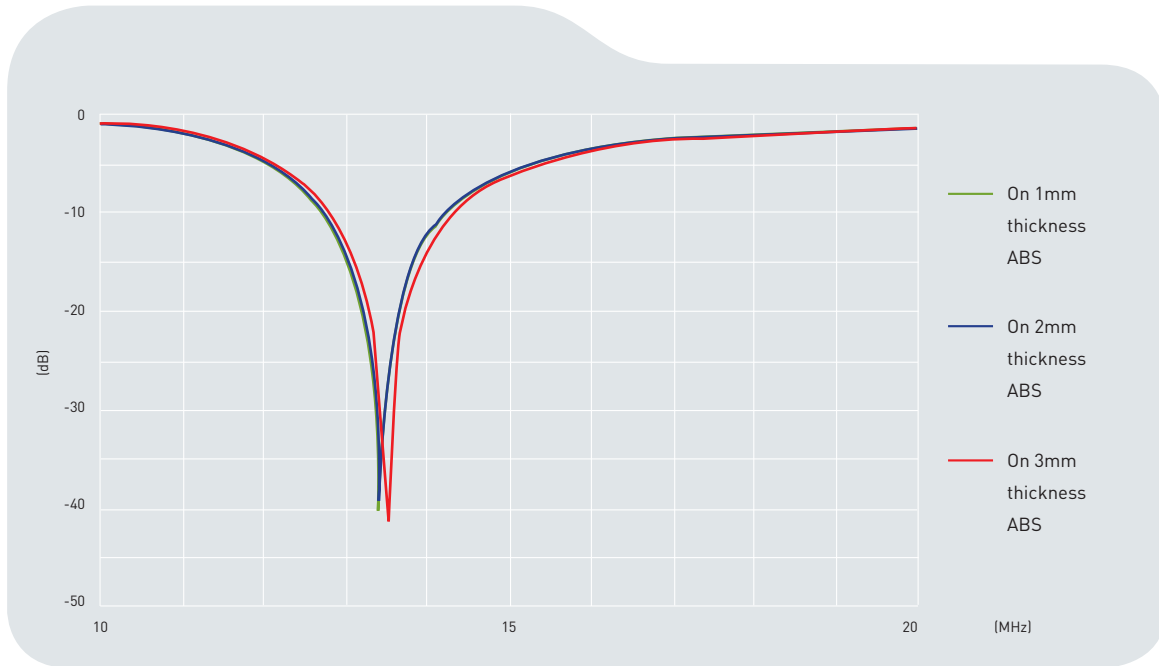
4.3 Matching



5. Antenna Applications

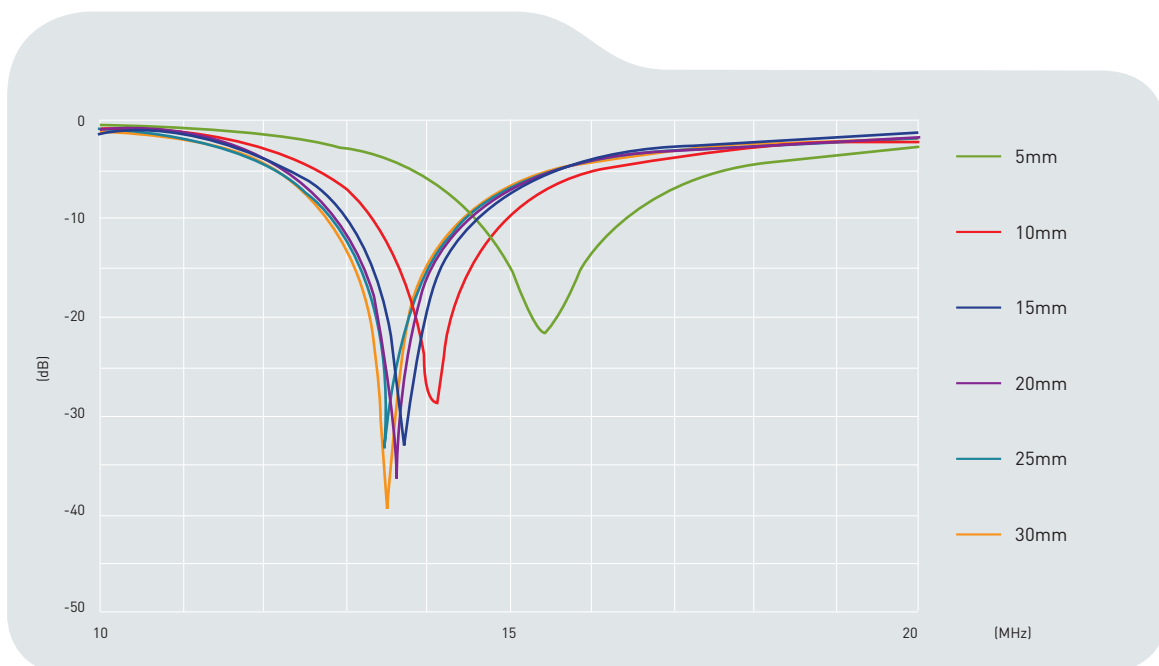
5.1 Thickness of ABS material

For customization reference, we place Taoglas FXR.01 antenna on ABS material boards with different thickness.



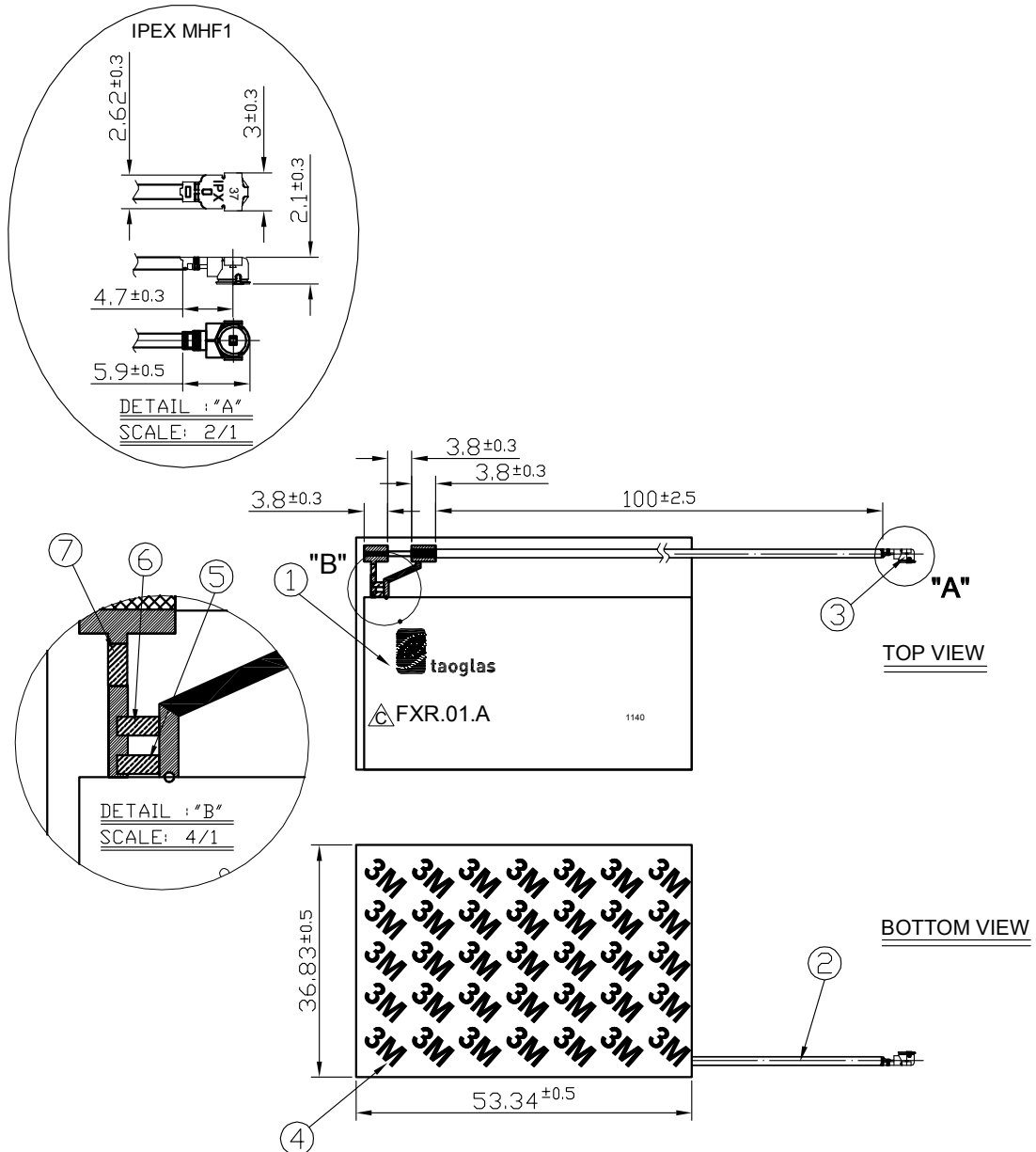
Following the results above, our customers can easily stick this antenna on their device enclosure.

5.2 Proximities to Metal Ground






The minimum distance of the antenna placement away from metal is 15mm recommended.

6. Mechanical Drawing

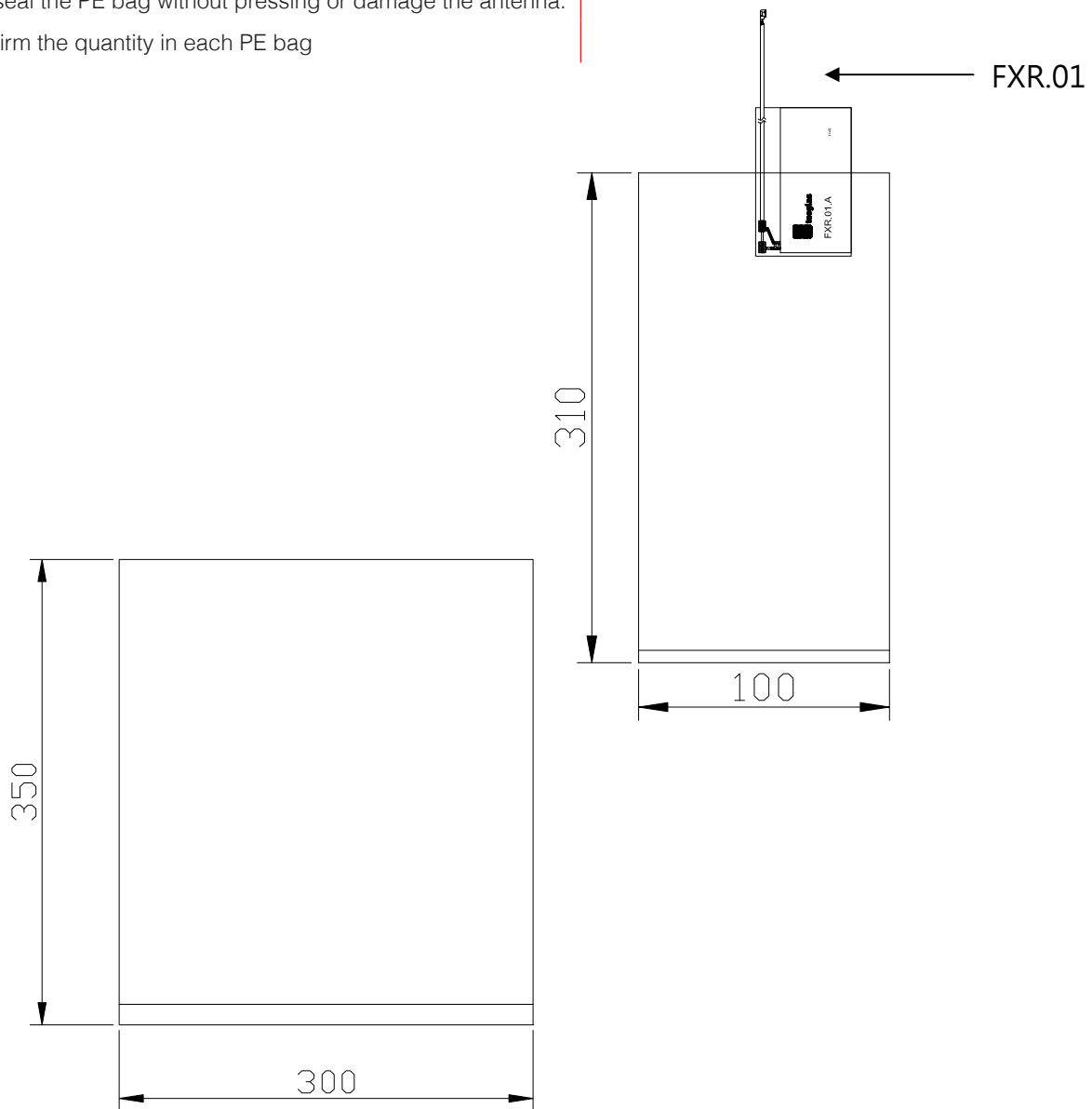


NOTES:

- 1.No dregs or insufficient soldering. Solder thickness 0.3~1.7mm
- 2.The solder must be smooth and full to the edges of the pad.
The solder must not extend outside of the pad area.
- 3.The connector position has special orientation to the PCB as per drawing.
- 4.All material must be RoHS compliant.
- 5.Open/short QC, VSWR required.
- 6.Soldered area. 
- 7.Tin area. 
- 8.Components area 

	Name	Material	Finish	QTY
1	FXR.01 PCB	FPCB 0.1t	Black	1
2	1.37 Coaxial Cable	FEP	Black	1
3	IPEX MHF1	Brass	Gold	1
4	Double-Sided Adhesive	3M 467	Brown Liner	1
5	47 pF 0603 Components	Ceramic	White	1
6	680 Ohm 0603 Resistor	Ceramic	White	1
7	68 pF 0603 Components	Ceramic	White	1

- 100pcs antennas per small PE bag
- 10 small PE bag per big PE bag
- 1000pcs antennas per big PE bag
- Antenna should be placed flat and neat in the PE bag.
- Hot seal the PE bag without pressing or damage the antenna.
- Confirm the quantity in each PE bag



Taoglas makes no warranties based on the accuracy or completeness of the contents of this document and reserves the right to make changes to specifications and

product descriptions at any time without notice. Taoglas reserves all rights to this document and the information contained herein.

Reproduction, use or disclosure to third parties without express permission is strictly prohibited.
Copyright © Taoglas Ltd.