

REVISION B

DESIGNED AND DIMENSION IN MILLIMETERS
(INCHES FOR REFERENCE ONLY)

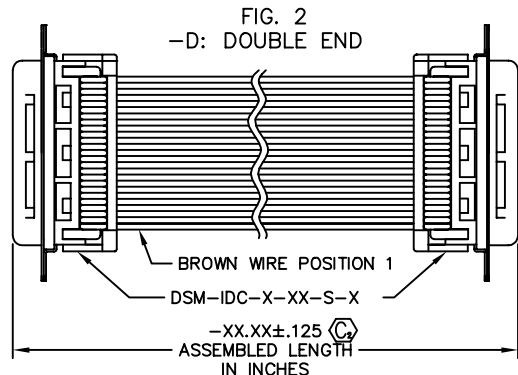
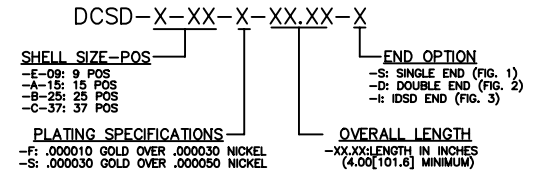
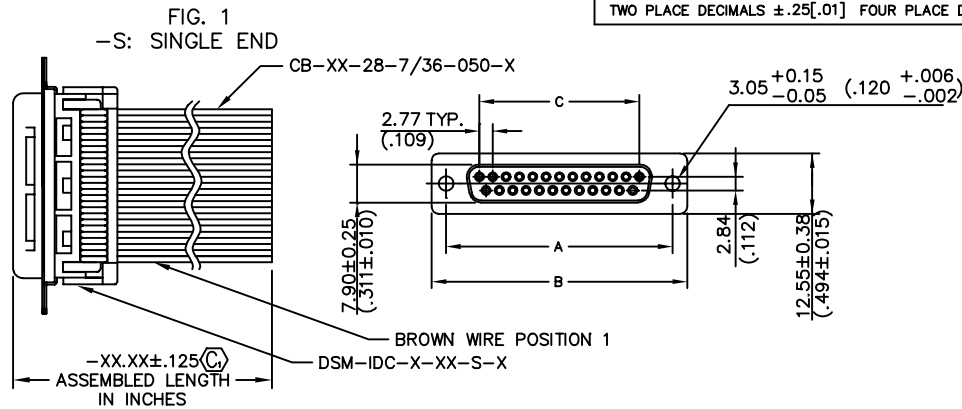
UNLESS OTHERWISE NOTED TOLERANCES ARE:

| | | |
|------------------------------|----------------------------------|-------------|
| ONE PLACE DECIMALS ± | THREE PLACE DECIMALS ±.13[.005] | ANGLES ± 1° |
| TWO PLACE DECIMALS ±.25[.01] | FOUR PLACE DECIMALS ±.051[.0020] | |

TITLE:
IDC CABLE D-SUB
DSM-IDC SERIES

DWG NO:
DCSD-X-XX-X-XX.XX-X

DO NOT SCALE
FROM THIS PRINT

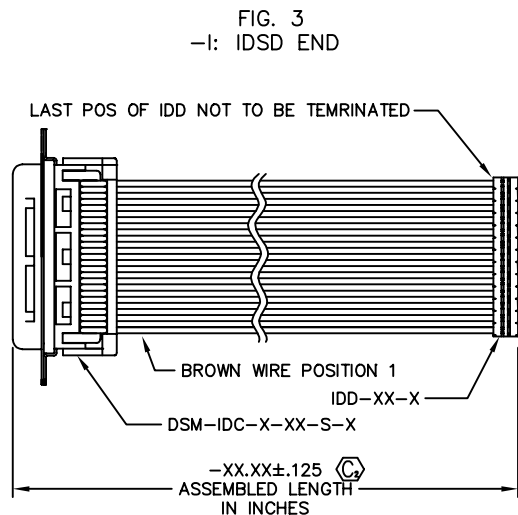


NOTES:

1. (C) REPRESENTS A CRITICAL DIMENSION
2. MINIMUM RETENTION FORCE: 5 LBS.

TABLE 1

| SHELL SIZE- POSITIONS | ±0.13 A (±.005) | ±0.25 B (±.010) | ±0.13 C (±.005) |
|-----------------------|-----------------|-----------------|-----------------|
| -E-09 | 24.99/(.984) | 31.00(1.220) | 11.08/(.436) |
| -A-15 | 33.32(1.312) | 39.30(1.547) | 19.39/(.763) |
| -B-25 | 47.04(1.852) | 53.09(2.090) | 33.24/(1.309) |
| -C-37 | 63.50(2.500) | 69.40(2.732) | 49.86/(1.963) |



PROPRIETARY NOTE
THIS DOCUMENT CONTAINS INFORMATION CONFIDENTIAL AND PROPRIETARY TO SAMTEC INC. AND SHALL NOT BE REPRODUCED OR TRANSMITTED TO OTHER DOCUMENTS OR DISCLOSED TO OTHERS OR USED FOR ANY PURPOSE OTHER THAN THAT FOR WHICH IT WAS OBTAINED WITHOUT THE EXPRESSED WRITTEN CONSENT OF SAMTEC INC.

MATERIAL:
INSULATOR: PBT; COLOR: BLACK
CONTACT: PHOSPHOR BRONZE
SHELL: STEEL
CABLE: INSULATION: COLOR CODED PVC
WIRE: TINNED COPPER

samtec

MISC\MKGT

520 PARK EAST BLVD. NEW ALBANY, INDIANA 47150
PHONE (812) 944-6733 P.O. BOX 1147
CODE 55322

PLOT SCALE: .200

MADE BY:

T. SPINE

DCSD-X-XX-X-XX.XX-X