

**PLEASE CHECK WWW.MOLEX.COM FOR LATEST PART INFORMATION**

**Part Number:** [0945504305](#)  
**Status:** **Active**  
**Overview:** [rast 5 connector system](#)  
**Description:** 5.00mm (.197") Pitch, Rast 5, PA Polyamide (Nylon) 6/6, UL 94V-2, 5 Circuits, Natural, Glow Wire Compatible

**Documents:**

[3D Model](#) [Product Specification PS-94550-001 \(PDF\)](#)  
[Drawing \(PDF\)](#) [RoHS Certificate of Compliance \(PDF\)](#)

**General**

Product Family Crimp Housings  
 Series [94550](#)  
 Overview [rast 5 connector system](#)  
 Product Name RAST 5

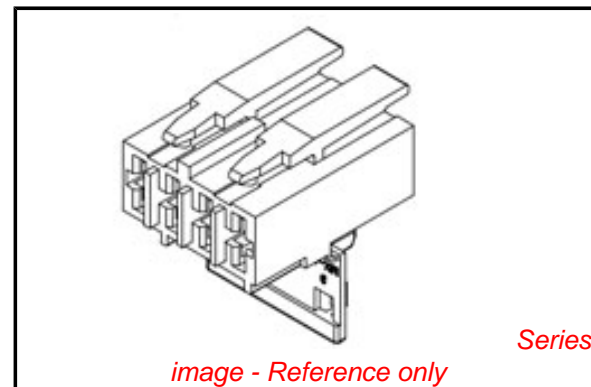
**Physical**

Breakaway No  
 Circuits (maximum) 5  
 Color - Resin Natural  
 Gender Female  
 Glow-Wire Compliant Yes  
 Lock to Mating Part Yes  
 Material - Resin Nylon  
 Number of Rows 1  
 Packaging Type Bag  
 Panel Mount No  
 Pitch - Mating Interface (in) 0.197 In  
 Pitch - Mating Interface (mm) 5.00 mm  
 Pitch - Term. Interface (in) 0.197 In  
 Pitch - Term. Interface (mm) 5.00 mm  
 Polarized to Mating Part Yes  
 Ports 1  
 Stackable No  
 Temperature Range - Operating -40°C to +85°C

**Material Info**

**Reference - Drawing Numbers**

Product Specification PS-94550-001  
 Sales Drawing SD-94550-033  
 Test Summary TS-94550-002



**EU RoHS**

**ELV and RoHS  
 Compliant**  
**REACH SVHC  
 Not Reviewed**  
**Halogen-Free  
 Status  
 Not Reviewed**

**China RoHS**



**Need more information on product  
 environmental compliance?**

Email [productcompliance@molex.com](mailto:productcompliance@molex.com)  
 For a multiple part number RoHS Certificate of  
 Compliance, [click here](#)

Please visit the [Contact Us](#) section for any  
 non-product compliance questions.

**Search Parts in this Series**

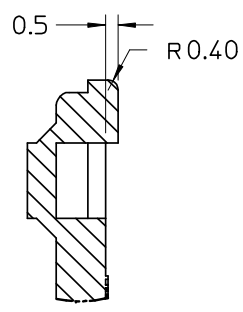
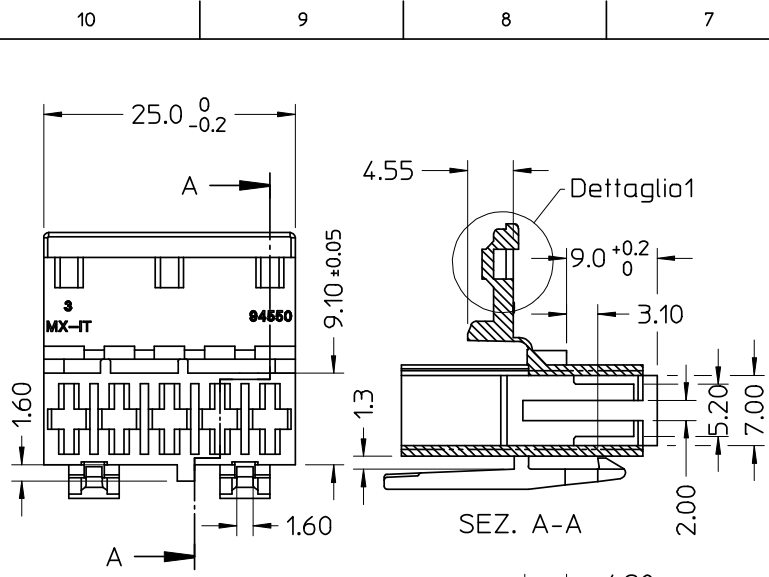
[94550Series](#)

**Mates With**

Rast 5 Headers, [90858](#) Vertical Header,  
[90879](#) Right Angle Header

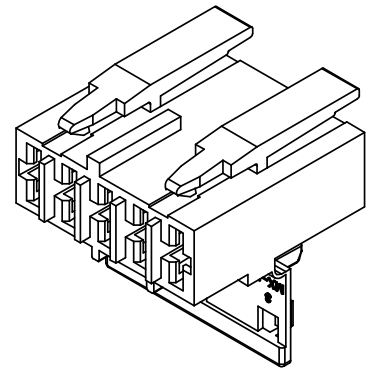
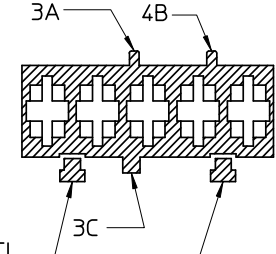
**Use With**

[94518](#) Crimp Terminal, [94549](#) Crimp  
 Terminal



Dettaglio1  
SCALA 5:1

CONFIGURAZIONE POLARIZZAZIONI  
POLARIZATION CONFIGURATION

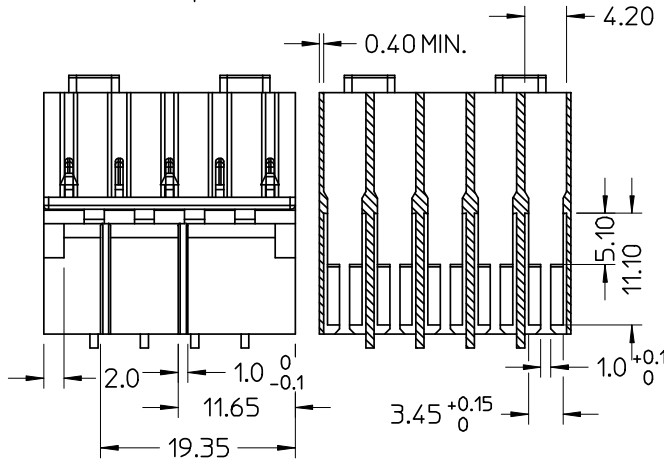


- NOTE:
- USATO CON TERMINALE 94518-0XXX E 94549-0XXX
  - SPECIFICA DI RIFERIMENTO PER IL CONNETTORE PS-94550-001
  - PER CARATTERISTICHE DI CRIMPATURA RIF. SD-94518-005 E SD-94549-001
  - FORZA DI DISACCOPIAMENTO CONNETTORE (TRAZIONANDO DAI CAVI SENZA AZIONARE L'AGGANCI): 60 N MIN.
  - SPESSORE MIN. PARETI CONNETTORE 0.40 mm.

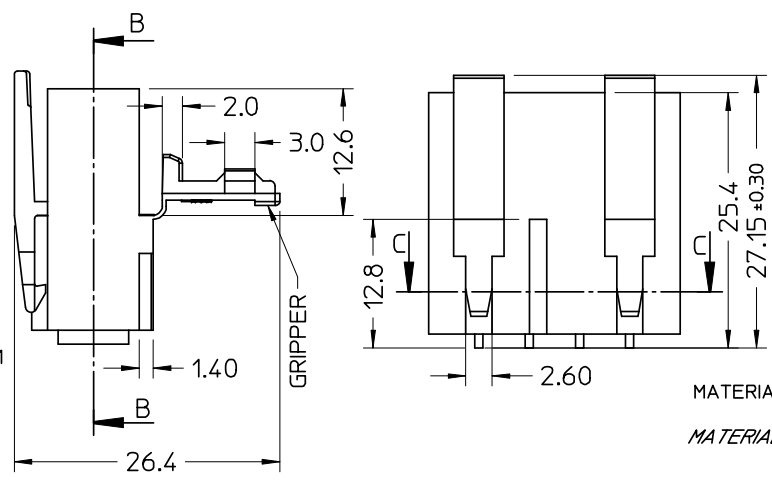
- NOTE:
- USED WITH TERMINALS 94518-0XXX AND 94549-0XXX
  - REFER TO PS-94550-001 FOR CONNECTOR SPECIFICATION
  - REFER TO SD-94518-005 AND SD-94549-001 FOR CRIMPING CHARACTERISTICS
  - CONNECTOR DISENGAGEMENT FORCE (PULLING BY THE WIRES, WITHOUT ACTUATING THE LATCH): 60 N MIN.
  - MINIMUM CONNECTOR WALL THICKNESS 0.40 mm.

MATERIALE: NYLON 6.6 GWT 750°C SEC. IEC 60335-1  
TEST METHOD IEC 60695-2-11 COLORE NATURALE  
MATERIAL: NYLON 6.6 GWT 750°C SEC. IEC 60335-1  
TEST METHOD IEC 60695-2-11 NATURAL

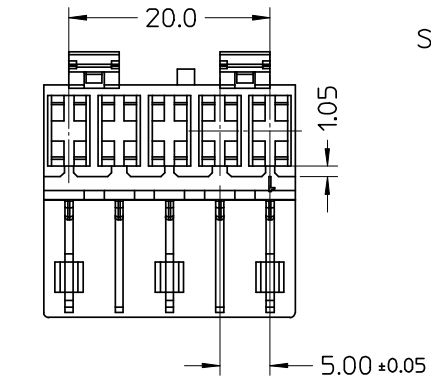
CONFEZIONE: Box da 1300 Pz.  
PACKAGING: 1300 pcs in carton box



SEZ: B-B



GRIPPER



SPQ =1300

Std. Descr: "HSG W/SEC LOCK AND EXT LATCHES 5 CKT \_\_\_\_\_ COLOR"

EC NO: Z2006-0211 DRWN: FGOTTARD 2006/06/05 CHKD: RSANDANO 2006/06/05 APPR: GZUIN 2006/06/07	QUALITY SYMBOLS ▽ = 0 ▽ = 0	GENERAL TOLERANCES (UNLESS SPECIFIED)		SCALE 2:1	DESIGN UNITS METRIC	FIRST ANGLE PROJECTION	REVISE ON CAD ONLY	
		4 PLACES ± --- ± ---	3 PLACES ± --- ± ---	DIMENSION STYLE MM ONLY		TITLE HSG 5 CKT WITH SEC. LOCK AND EXTERNAL LATCH		
		2 PLACES ± 0.10 ± ---	1 PLACE ± 0.2 ± ---	DRAWN BY FGOTTARD	DATE 2006/05/26	MOLEX MOLEX INCORPORATED		
		ANGULAR ± 2 °		CHECKED BY RSANDANO	DATE 2006/05/26	MATERIAL NO. 94550-4305	DOCUMENT NO. SD-94550-033	SHEET NO. 1 OF 1
DRAFT WHERE APPLICABLE		APPROVED BY GZUIN		DATE 2006/05/26	THIS DRAWING CONTAINS INFORMATION THAT IS PROPRIETARY TO MOLEX INCORPORATED AND SHOULD NOT BE USED WITHOUT WRITTEN PERMISSION			
MUST REMAIN WITHIN DIMENSIONS		A3						