



Microwave Limiting Amplifier

8 to 12 GHz

Model BXL9812

FEATURES

- Reverse Bias Protection
- Input Voltage Regulator
- Laser Sealed Housing

The Model BXL9812 is standard high frequency limiting amplifier covering 8 GHz to 12 GHz. This two stage design, utilizes an input voltage regulator to protect against fluctuations in supply voltage, reverse bias protection circuitry, and a laser sealed housing for the ultimate in environmental protection. This standard design may also be ordered in a screened MIL-STD-883 version as a model SXL9812. All specification ratings are based on measurements in a 50 ohm system with a DC supply voltage tolerance of +/- 2%.

Parameter	Typical	Min. / Max.
Frequency Range	8 to 12 GHz	8 to 12 GHz
Input Power	-	-20 dBm Min / -10 dBm Max.
Flatness (+/-)	1.0 dB	1.5 dB Max
P_{sat}	10 dBm	8 dBm Min / 11 dBm Max.
Input VSWR	1.8:1	2.0:1 Max.
Output VSWR	1.8:1	2.0:1 Max.
3rd Order Output Intercept Point	-	-
2nd Order Output Intercept Point	-	-
Noise Figure	5.0 dB	6.0 dB
Supply Voltage	+12 to +15 volts	+12 to +15 volts
Supply Current	165 mA	175 mA Max.
Revision: 6/6/2012	Typical values are measured at 25°C but not guaranteed.	
Housing Size	1.15" L x 1.75" W x 0.70" H	
RF Connectors	Gold Plated Pins or SMA Female	
Operating Case Temp. (Min./Max. Values)	25°C to +75°C	

Maximum (No Damage) Ratings

Storage Temperature	-65°C to +125°C
Operating Temperature (Case)	-40°C to +85°C
DC Voltage @ 25°C (Regulated)	+17 VDC
Input Drive @ 25°C (CW)	+20 dBm

4

3

DRG NO	REV	REV
1 of 1	P1	

NOTES:

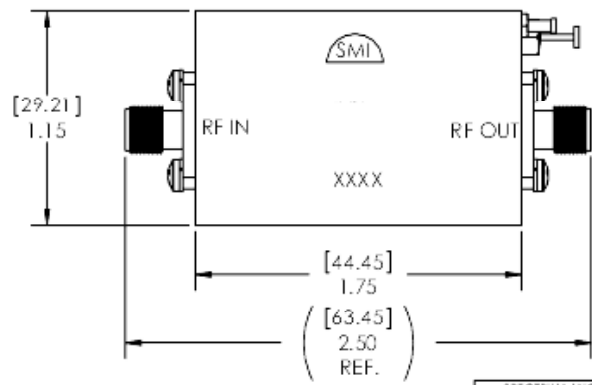
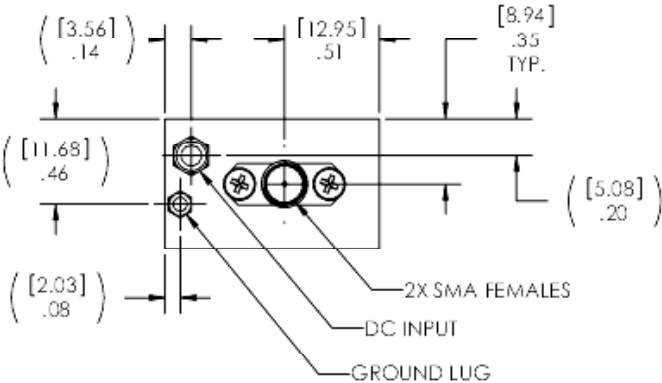
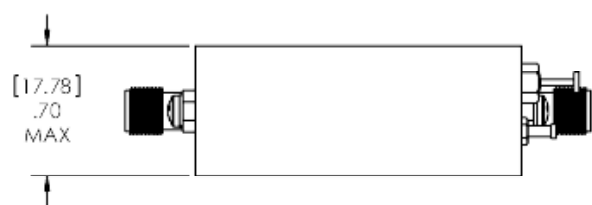
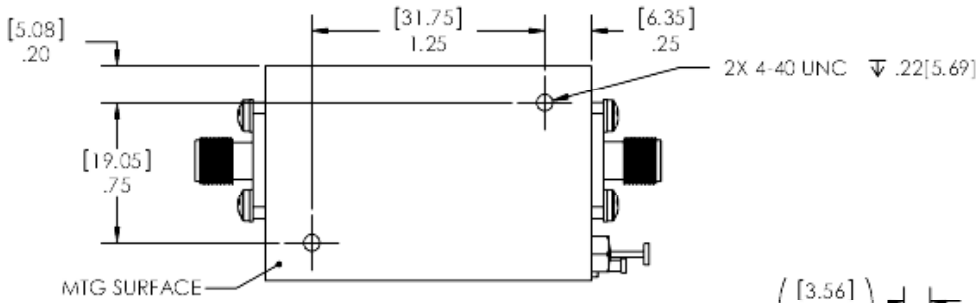
1. MATERIAL: ALUMINUM NICKEL PLATED

REVISIONS				
ECN	REV.	DESCRIPTION	CHNG/DATE	APPV/DATE
XXX	P1	PRELIMINARY RELEASE	2012/05/02	



CAUTION

THIS ASSEMBLY CONTAINS PARTS SENSITIVE TO DAMAGE BY ELECTROSTATIC DISCHARGE (ESD). USE ESD PRECAUTIONARY PROCEDURES WHEN TOUCHING, REMOVING OR INSERTING



SEE SEPARATE PARTS LIST IN ELECTRONIC STORAGE

UNLESS OTHERWISE SPECIFIED 63 SPECTRUM MICROWAVE PROPRIETARY INFORMATION THIS DOCUMENT IS THE SOLE PROPERTY OF SPECTRUM MICROWAVE, INC. THE RELEASE OF DATA CONTAINED IN THIS DOCUMENT AND THE REPRODUCTION OF THIS DOCUMENT IN WHOLE OR IN PART WITHOUT THE WRITTEN PERMISSION OF SPECTRUM MICROWAVE, INC. ARE PROHIBITED.	VARIABLE PROJECTION ANSI		SPECTRUM MICROWAVE, INC 2707 Black Lake Place Philadelphia, PA 19154-1008 (USA)	
	DRAWN WAR	DATE 2012/05/02	TITLE	
	CHECKED	ENGRG A BINAL 2012/05/02	SIZE B	
	SCALE 1.5:1		CASE CODE 60979	REV P1
DO NOT SCALE DRAWING		SHEET 1 of 1		

COMPUTER ASSISTED DRAWING
GENERATED USING SOLIDWORKS 2012

4

3

2