

ACPM-5007

LTE Band7 (2500-2570 MHz)

3 x 3 mm Power Amplifier Module



Data Sheet

Description

The ACPM-5007 is a fully matched 10-pin surface mount module developed for LTE Band7. This power amplifier module operates in the 2500-2570 MHz bandwidth. The ACPM-5007 meets stringent UMTS (Rel 99) linearity requirements up to 28.5 dBm output power and the LTE (MPR = 0 dB) to 27.5 dBm. The 3 x 3 mm form factor package is self contained, incorporating 50 ohm input and output matching networks.

The ACPM-5007 features 5th generation of CoolPAM circuit technology which supports 3 power modes – bypass, mid and high power modes. The CoolPAM is stage bypass technology enhancing PAE (power added efficiency) at low and medium power range. Active bypass feature is added to 5th generation to enhance PAE further at low output range. This helps to extend talk time. A directional coupler is integrated into the module and both coupling and isolation ports are available externally, supporting daisy chain.

A directional coupler is integrated into the module and both coupling and isolation ports are available externally, supporting daisy chain. The integrated coupler has excellent coupler directivity, which minimizes the coupled output power variation or delivered power variation caused by the load mismatch from the antenna. The coupler directivity, or the output power variation into the mismatched load, is critical to the TRP and SAR performance of the mobile phones in real field operations as well as compliance tests for the system specifications.

The ACPM-5007 has integrated on-chip Vref and on-module bias switch as the one of the key features of the CoolPAM-5, so an external constant voltage source is not required, eliminating the external LDO regulators and switches from circuit boards of mobile devices. It also makes the PA fully digital-controllable by the Ven pin that simply turns the PA on and off from the digital control logic input from baseband chipsets. All of the digital

Features

- Thin Package (0.9 mm typ)
- Excellent Linearity
- 3-mode power control with Vbp and Vmode Bypass/Mid Power Mode/High Power Mode
- High Efficiency at max output power
- 10-pin surface mounting package
- Internal 50 ohm matching networks for both RF input and output
- Integrated coupler
Coupler and Isolation ports for daisy chain
- Green – Lead-free and RoHS compliant

Applications

- UMTS & LTE Band7 Handset, Data card

Ordering Information

Part Number	Number of Devices	Container
ACPM-5007-TR1	1000	178 mm (7") Tape/Reel
ACPM-5007-BLK	100	Bulk

Description (Cont.)

control input pins such as the Ven, Vmode and Vbp are fully CMOS compatible and can operate down to the 1.35 V logic. The current consumption by digital control pins is negligible.

The power amplifier is manufactured on an advanced InGaP HBT (hetero-junction Bipolar Transistor) MMIC (microwave monolithic integrated circuit) technology offering state-of-the-art reliability, temperature stability and ruggedness.

Absolute Maximum Ratings

No damage assuming only one parameter is set at limit at a time with all other parameters set at or below nominal value.

Operation of any single parameter outside these conditions with the remaining parameters set at or below nominal values may result in permanent damage.

Description	Min.	Typ.	Max.	Unit
RF Input Power (Pin)		0	10.0	dBm
DC Supply Voltage (Vcc1, Vcc2)	0	3.4	5.0	V
Enable Voltage (Ven)	0	2.6	3.3	V
Mode Control Voltage (Vmode)	0	2.6	3.3	V
Bypass Control (Vbp)	0	2.6	3.3	V
Storage Temperature (Tstg)	-55	25	+125	°C

Recommended Operating Condition

Description		Min.	Typ.	Max.	Unit
DC Supply Voltage (Vcc1, Vcc2)		3.2	3.4	4.2	V
Enable Voltage (Ven)	Low	0	0	0.5	V
	High	1.35	2.6	3.1	V
Mode Control Voltage (Vmode)	Low	0	0	0.5	V
	High	1.35	2.6	3.1	V
Bypass Control Voltage (Vbp)	Low	0	0	0.5	V
	High	1.35	2.6	3.1	V
Operating Frequency (fo)		2500		2570	MHz
Ambient Temperature (Ta)		-20	25	90	°C

Operating Logic Table

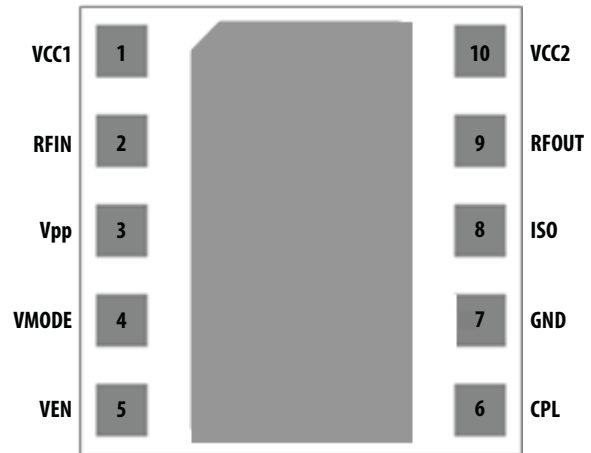
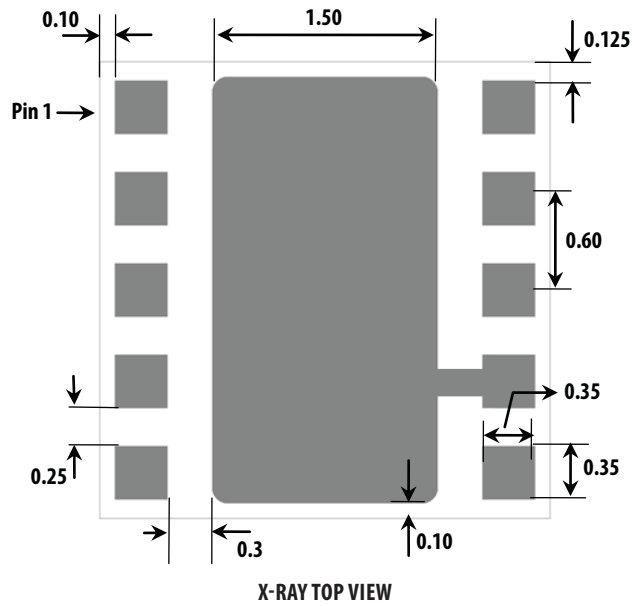
Power Mode	Ven	Vmode	Vbp	Pout (Rel99)	Pout (LTE MPR = 0 dB)
High Power Mode	High	Low	Low	~ 28.5 dBm	~ 27.5 dBm
Mid Power Mode	High	High	Low	~ 17 dBm	~ 16 dBm
Bypass Mode	High	High	High	~ 7 dBm	~ 6 dBm
Shut Down Mode	Low	Low	Low	-	-

Electrical Characteristics

– Conditions: $V_{cc} = 3.4\text{ V}$, $V_{en} = 2.6\text{ V}$, $T_a = 25^\circ\text{ C}$, $Z_{in}/Z_{out} = 50\text{ ohm}$

Characteristics	Condition	Min.	Typ.	Max.	Unit
Operating Frequency Range		2500	–	2570	MHz
Maximum Output Power (High Power Mode)	WCDMA Rel99	28.5			dBm
	LTE MPR = 0 dB	27.5			dBm
Gain (LTE MPR = 0 dB)	High Power Mode, Pout = 27.5 dBm	25	28		dB
	Mid Power Mode, Pout = 16 dBm	17	21		dB
	Bypass Mode, Pout = 6 dBm	8	10.5		dB
Power Added Efficiency	High Power Mode, Pout = 28.5 dBm, Rel99	–	41.6		%
	High Power Mode, Pout = 27.5 dBm, LTE MPR = 0 dB	33.0	36.7		
	Mid Power Mode, Pout = 16 dBm, LTE MPR = 0 dB	14.5	19.4		%
	Bypass Mode, Pout = 6 dBm, LTE MPR = 0 dB	5.9	8.2		%
Total Supply Current	High Power Mode, Pout = 28.5 dBm, Rel99		500	–	mA
	High Power Mode, Pout = 27.5 dBm, LTE MPR = 0 dB		450	500	
	Mid Power Mode, Pout = 16 dBm, LTE MPR = 0 dB		60	80	mA
	Bypass Mode, Pout = 6 dBm, LTE MPR = 0 dB		13	20	mA
Quiescent Current	High Power Mode		105	150	mA
	Mid Power Mode		18	30	mA
	Bypass Mode		4	6	mA
Enable Current	High Power Mode		3.7	100	μA
	Mid Power Mode		3.8	100	μA
	Bypass Mode		3.8	100	μA
Mode Control Current	Mid Power Mode		3.7	100	μA
	Bypass Mode		3.9	100	μA
Bypass Control Current	Bypass		3.8	100	μA
Total Current in Power-down mode	$V_{en} = 0\text{ V}$, $V_{mode} = 0\text{ V}$, $V_{bp} = 0\text{ V}$		3.5	10	μA
LTE Adjacent Channel Leakage Ratio	E-UTRA _{ACL} R	Pout < (maximum power –MPR)	-37	-33	dBc
	UTRA _{ACL} R1	Pout < (maximum power –MPR)	-39	-36	dBc
	UTRA _{ACL} R2	Pout < (maximum power –MPR)	-60	-39	dBc
Harmonics	2 fo	High Power Mode, Pout = 28.5 dBm		-35	dBc
	3 fo and higher			-42	dBc
Harmonic Gain	2 fo	Where G is gain in TX band	G-40		dB
	3 fo and higher				dB
Input VSWR			2:1		
Stability (Spurious Output)	VSWR 5:1, All phase		-70		dBc
Rx band Noise Power	High Power Mode, Pout = 28.5 dBm		-136		dBm/Hz
Rx band gain	Where G is gain in Tx band		G-2		dB
GPS Band Noise Power (1574-1577 MHz, $V_{cc} = 4.2\text{ V}$)	High Power Mode, Pout = 28.5 dBm		-140		dBm/Hz
GPS band gain	Where G is gain in Tx band		G-11		dB
ISM band Noise Power	2400 ~ 2420 MHz			-115	dBm/Hz
	2420 ~ 2440 MHz			-106	dBm/Hz
	2440 ~ 2460 MHz			-98	dBm/Hz
	2460 ~ 2480 MHz			-85	dBm/Hz
ISM band gain	Where G is gain in Tx band		G-0.25		dB
Media band gain (716-728 MHz)	Where G is gain in Tx band		G-25		dB
Phase Discontinuity	low power mode \leftrightarrow mid power mode, at Pout = 7 dBm		12		deg
	mid power mode \leftrightarrow high power mode, at Pout = 17 dBm		10		deg
Ruggedness	Pout < 28.5 dBm, Pin < 10 dBm, All phase High Power Mode	10:1			VSWR
Coupling factor	RF Out to CPL port		20		dB
Daisy Chain Insertion Loss	ISO port to CPL port, 698 ~ 2620 MHz, $V_{en} = \text{Low}$		0.25		dB

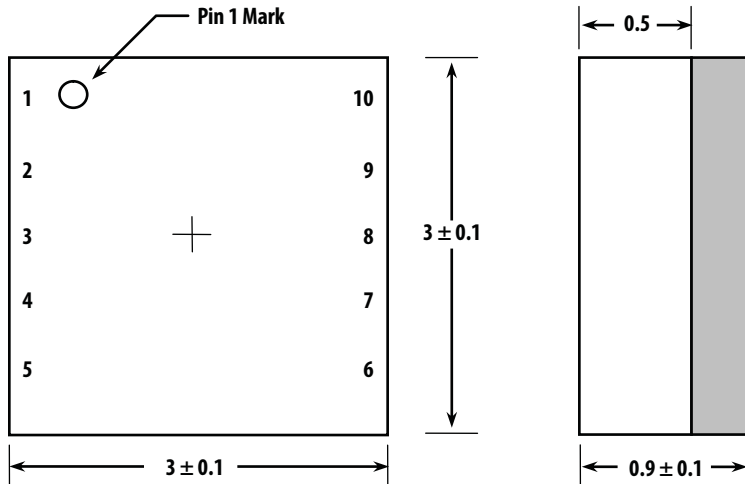
Footprint and Pin Description



All dimensions are in millimeter

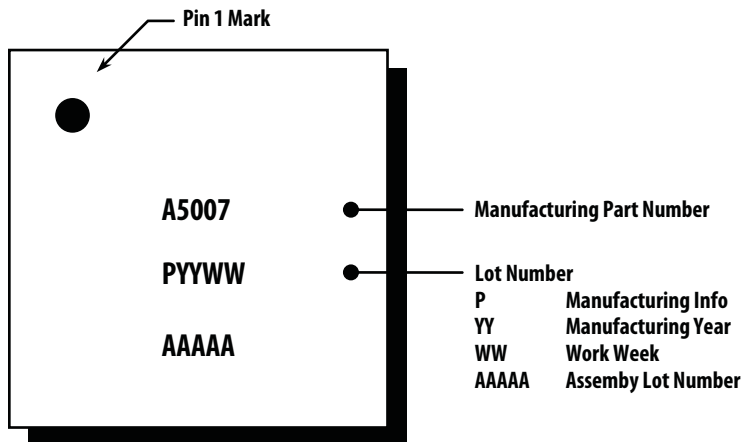
Pin #	Name	Description	Pin #	Name	Description
1	Vcc1	DC Supply Voltage	6	CPL	Coupling port of Coupler
2	RFin	RF Input	7	GND	Ground
3	Vbp	Bypass Control	8	ISO	Isolation port of Coupler
4	Vmode	Mode Control	9	RFOut	RF Out
5	Ven	PA Enable	10	Vcc2	DC Supply Voltage

Package Dimensions



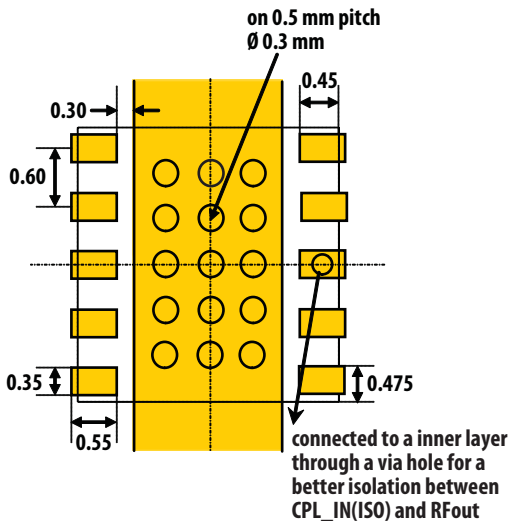
All dimensions are in millimeter

Marking Specification



Note: Prior to production release, the marking will be 'E5007'. After the completion of Avago qualification testing and production release, the marking will revert to 'A5007'.

Metallization



PCB Design Guidelines

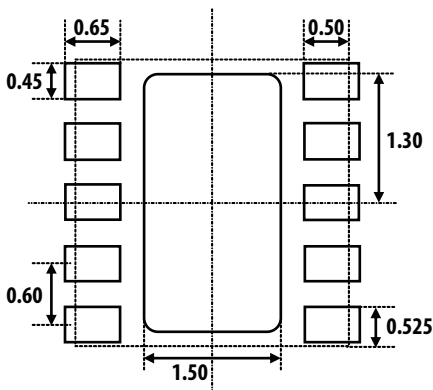
The recommended PCB land pattern is shown in figures on the left side. The substrate is coated with solder mask between the I/O and conductive paddle to protect the gold pads from short circuit that is caused by solder bleeding/bridging.

Stencil Design Guidelines

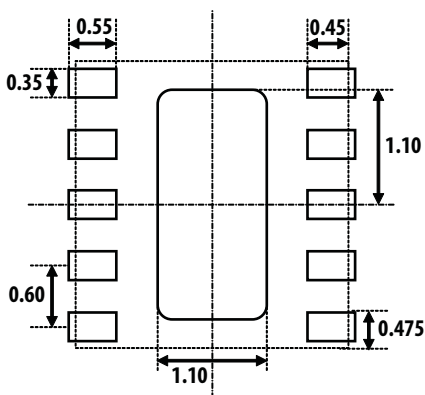
A properly designed solder screen or stencil is required to ensure optimum amount of solder paste is deposited onto the PCB pads.

The recommended stencil layout is shown here. Reducing the stencil opening can potentially generate more voids. On the other hand, stencil openings larger than 100% will lead to excessive solder paste smear or bridging across the I/O pads or conductive paddle to adjacent I/O pads. Considering the fact that solder paste thickness will directly affect the quality of the solder joint, a good choice is to use laser cut stencil composed of 0.100 mm(4 mils) or 0.127 mm(5 mils) thick stainless steel which is capable of producing the required fine stencil outline.

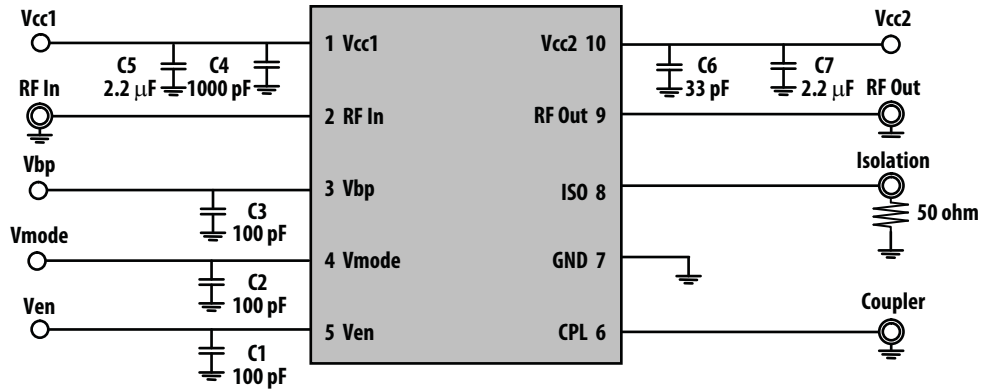
Solder Mask Opening



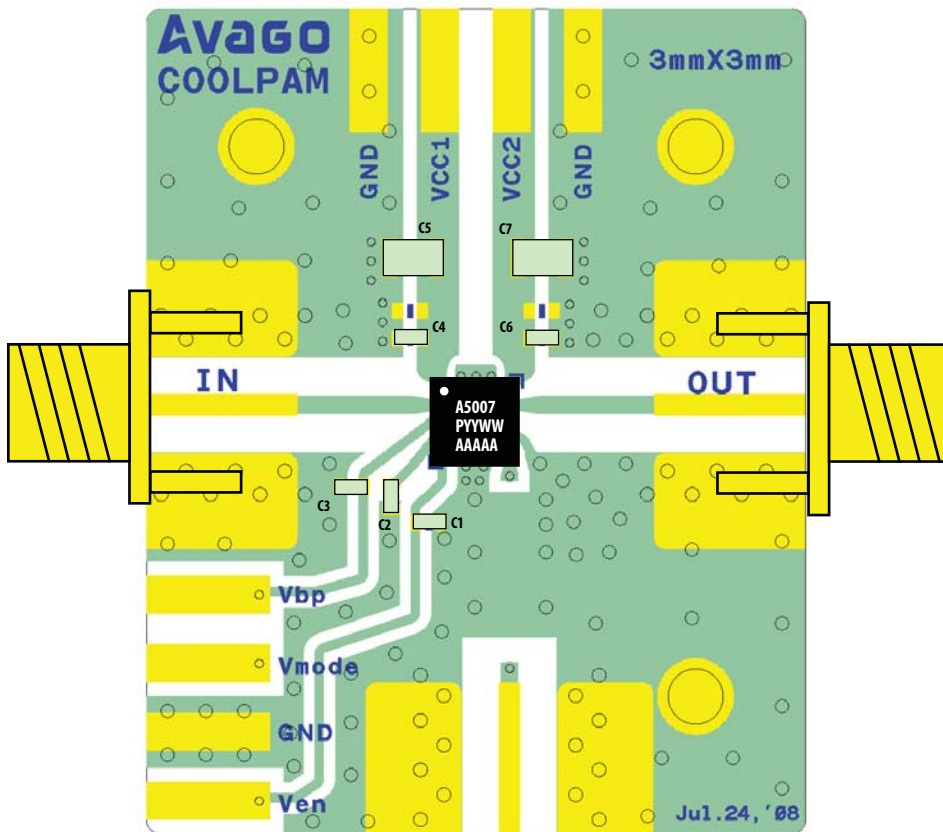
Solder Paste Stencil Aperture



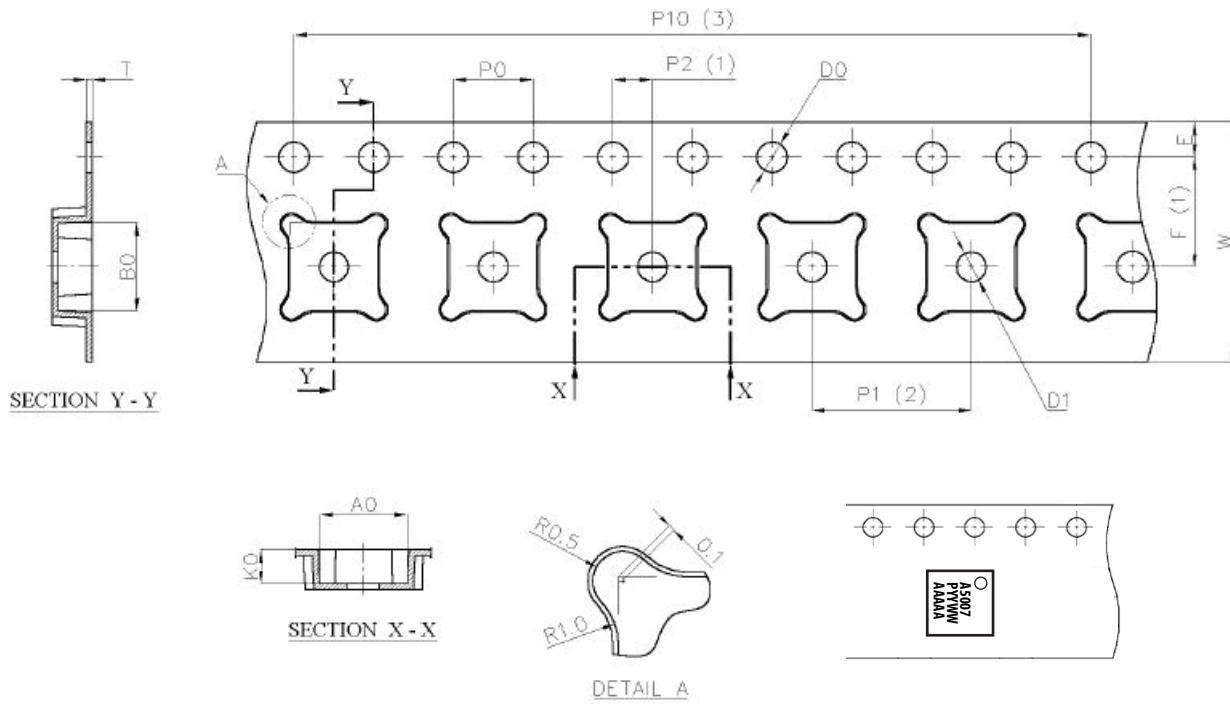
Evaluation Board Schematic



Evaluation Board Description



Tape and Reel Information



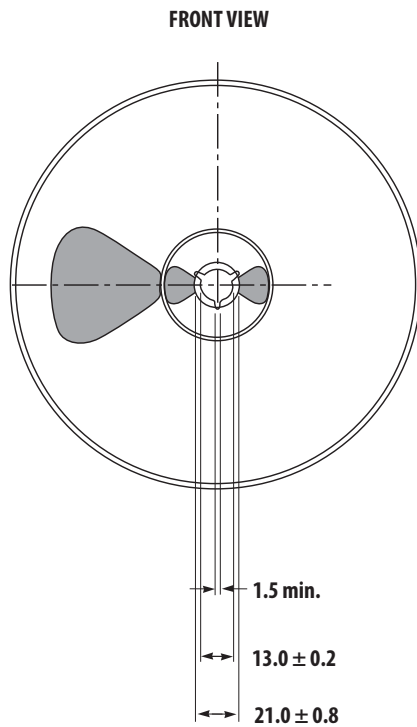
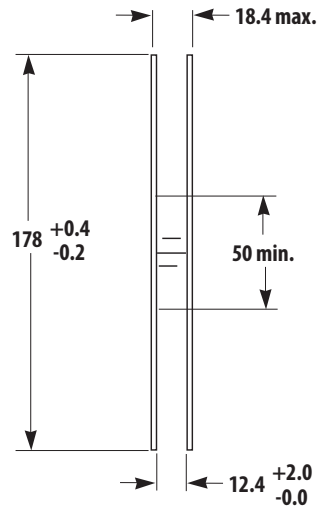
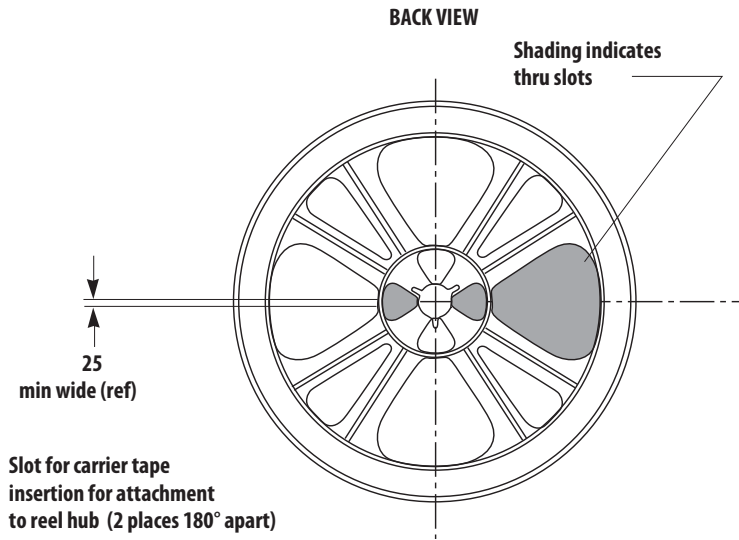
Dimension List

Annote	Millimeter
A0	3.40 ± 0.10
B0	3.40 ± 0.10
K0	1.35 ± 0.10
D0	1.55 ± 0.05
D1	1.60 ± 0.10
P0	4.00 ± 0.10
P1	8.00 ± 0.10

Annote	Millimeter
P2	2.00 ± 0.05
P10	40.00 ± 0.20
E	1.75 ± 0.10
F	5.50 ± 0.05
W	12.00 ± 0.30
T	0.30 ± 0.05

Tape and Reel Format – 3 mm x 3 mm

Reel Drawing



NOTES:

1. Reel shall be labeled with the following information (as a minimum).
 - a. manufacturers name or symbol
 - b. Avago Technologies part number
 - c. purchase order number
 - d. date code
 - e. quantity of units
2. A certificate of compliance (c of c) shall be issued and accompany each shipment of product.
3. Reel must not be made with or contain ozone depleting materials.
4. All dimensions in millimeters (mm)

Plastic Reel Format (all dimensions are in millimeters)

Handling and Storage

ESD (Electrostatic Discharge)

Electrostatic discharge occurs naturally in the environment. With the increase in voltage potential, the outlet of neutralization or discharge will be sought. If the acquired discharge route is through a semiconductor device, destructive damage will result.

ESD countermeasure methods should be developed and used to control potential ESD damage during handling in a factory environment at each manufacturing site.

MSL (Moisture Sensitivity Level)

Plastic encapsulated surface mount package is sensitive to damage induced by absorbed moisture and temperature.

Avago Technologies follows JEDEC Standard J-STD 020B. Each component and package type is classified for moisture sensitivity by soaking a known dry package at

various temperatures and relative humidity, and times. After soak, the components are subjected to three consecutive simulated reflows.

The out of bag exposure time maximum limits are determined by the classification test describe below which corresponds to a MSL classification level 6 to 1 according to the JEDEC standard IPC/JEDEC J-STD-020B and J-STD-033.

ACPM-5007 is MSL3. Thus, according to the J-STD-033 p.11 the maximum Manufacturers Exposure Time (MET) for this part is 168 hours. After this time period, the part would need to be removed from the reel, de-taped and then re-baked. MSL classification reflow temperature for the ACPM-5007 is targeted at 260° C +0/-5° C. Figure and table on next page show typical SMT profile for maximum temperature of 260 +0/-5° C.

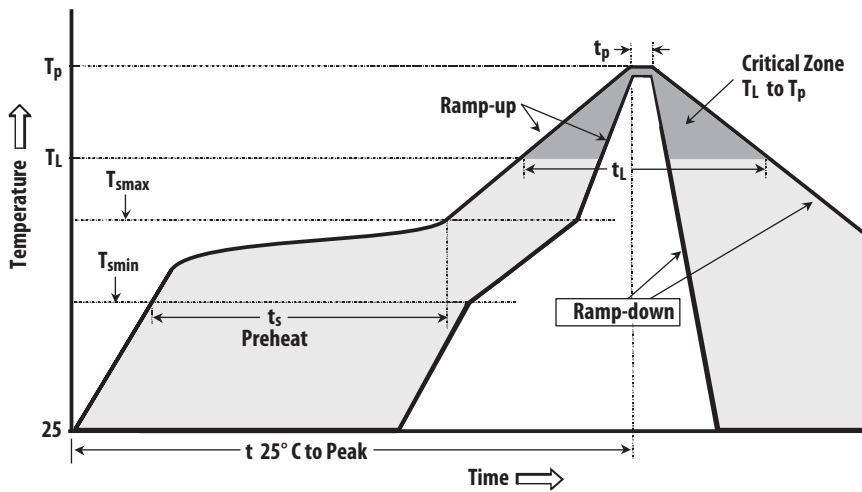
Moisture Classification Level and Floor Life

MSL Level	Floor Life (out of bag) at factory ambient = < 30° C/60% RH or as stated
1	Unlimited at = < 30° C/85% RH
2	1 year
2a	4 weeks
3	168 hours
4	72 hours
5	48 hours
5a	24 hours
6	Mandatory bake before use. After bake, must be reflowed within the time limit specified on the label

Note:

1. The MSL Level is marked on the MSL Label on each shipping bag.

Reflow Profile Recommendations



Typical SMT Reflow Profile for Maximum Temperature = 260 +0/-5° C

Profile Feature	Sn-Pb Solder	Pb-Free Solder
Average ramp-up rate (T_L to T_p)	3° C/sec max	3° C/sec max
Preheat		
– Temperature Min (T_{smin})	100° C	150° C
– Temperature Max (T_{smax})	150° C	200° C
– Time (min to max) (t_s)	60-120 sec	60-180 sec
T_{smax} to T_L		
– Ramp-up Rate		3° C/sec max
Time maintained above:		
– Temperature (T_L)	183° C	217° C
– Time (T_L)	60-150 sec	60-150 sec
Peak temperature (T_p)	240 +0/-5° C	260 +0/-5° C
Time within 5° C of actual Peak Temperature (T_p)	10-30 sec	20-40 sec
Ramp-down Rate	6° C/sec max	6° C/sec max
Time 25° C to Peak Temperature	6 min max.	8 min max.

Storage Condition

Packages described in this document must be stored in sealed moisture barrier, antistatic bags. Shelf life in a sealed moisture barrier bag is 12 months at <40° C and 90% relative humidity (RH) J-STD-033 p.7.

Out-of-Bag Time Duration

After unpacking the device must be soldered to the PCB within 168 hours as listed in the J-STD-020B p.11 with factory conditions <30° C and 60% RH.

Baking

It is not necessary to re-bake the part if both conditions (storage conditions and out-of-bag conditions) have been satisfied. Baking must be done if at least one of the conditions above have not been satisfied. The baking conditions are 125° C for 12 hours J-STD-033 p.8.

CAUTION

Tape and reel materials typically cannot be baked at the temperature described above. If out-of-bag exposure time is exceeded, parts must be baked for a longer time at low temperatures, or the parts must be de-reeled, de-taped, re-baked and then put back on tape and reel. (See moisture sensitive warning label on each shipping bag for information of baking).

Board Rework

Component Removal, Rework and Remount

If a component is to be removed from the board, it is recommended that localized heating be used and the maximum body temperatures of any surface mount component on the board not exceed 200° C. This method will minimize moisture related component damage. If any component temperature exceeds 200° C, the board must be baked dry per 4-2 prior to rework and/or component removal. Component temperatures shall be measured at the top center of the package body. Any SMD packages that have not exceeded their floor life can be exposed to a maximum body temperature as high as their specified maximum reflow temperature.

Removal for Failure Analysis

Not following the above requirements may cause moisture/reflow damage that could hinder or completely prevent the determination of the original failure mechanism.

Baking of Populated Boards

Some SMD packages and board materials are not able to withstand long duration bakes at 125° C. Examples of this are some FR-4 materials, which cannot withstand a 24 hr bake at 125° C. Batteries and electrolytic capacitors are also temperature sensitive. With component and board temperature restrictions in mind, choose a bake temperature from Table 4-1 in J-STD 033; then determine the appropriate bake duration based on the component to be removed. For additional considerations see IPC-7711 and IPC-7721.

Derating due to Factory Environmental Conditions

Factory floor life exposures for SMD packages removed from the dry bags will be a function of the ambient environmental conditions. A safe, yet conservative, handling approach is to expose the SMD packages only up to the maximum time limits for each moisture sensitivity level as shown in next table. This approach, however, does not work if the factory humidity or temperature is greater than the testing conditions of 30°C/60% RH. A solution for addressing this problem is to derate the exposure times based on the knowledge of moisture diffusion in the component package materials ref. JESD22-A120). Recommended equivalent total floor life exposures can be estimated for a range of humidities and temperatures based on the nominal plastic thickness for each device.

Table on next page lists equivalent derated floor lives for humidities ranging from 20-90% RH for three temperature, 20° C, 25° C, and 30° C.

Table on next page is applicable to SMDs molded with novolac, biphenyl or multifunctional epoxy mold compounds. The following assumptions were used in calculating this table:

1. Activation Energy for diffusion = 0.35eV (smallest known value).
2. For ≤60% RH, use Diffusivity = $0.121 \exp(-0.35\text{eV}/kT)$ mm²/s (this used smallest known Diffusivity @ 30° C).
3. For >60% RH, use Diffusivity = $1.320 \exp(-0.35\text{eV}/kT)$ mm²/s (this used largest known Diffusivity @ 30° C).

Recommended Equivalent Total Floor Life (days) @ 20° C, 25° C & 30° C, 35° C

For ICs with Novolac, Biphenyl and Multifunctional Epoxies (Reflow at same temperature at which the component was classified) Maximum Percent Relative Humidity

Maximum Percent Relative Humidity													
Package Type and Body Thickness	Moisture Sensitivity Level	Moisture											
		5%	10%	20%	30%	40%	50%	60%	70%	80%	90%		
Body Thickness ≥3.1 mm Including PQFPs >84 pin, PLCCs (square) All MQFPs or All BGAs ≥1 mm	Level 2a	∞	∞	94	44	32	26	16	7	5	4	35° C	
		∞	∞	124	60	41	33	28	10	7	6	30° C	
		∞	∞	167	78	53	42	36	14	10	8	25° C	
		∞	∞	231	103	69	57	47	19	13	10	20° C	
	Level 3	∞	∞	8	7	6	6	6	4	3	3	35° C	
		∞	∞	10	9	8	7	7	5	4	4	30° C	
		∞	∞	13	11	10	9	9	7	6	5	25° C	
		∞	∞	17	14	13	12	12	10	8	7	20° C	
		Level 4	∞	3	3	3	2	2	2	2	1	1	35° C
			∞	5	4	4	4	3	3	3	2	2	30° C
			∞	6	5	5	5	4	4	3	3	3	25° C
			∞	8	7	7	7	7	6	5	4	4	20° C
	Level 5	∞	2	2	2	2	1	1	1	1	1	35° C	
		∞	4	3	3	2	2	2	2	1	1	30° C	
		∞	5	5	4	4	3	3	2	2	2	25° C	
		∞	7	7	6	5	5	4	3	3	3	20° C	
	Level 5a	∞	1	1	1	1	1	1	1	1	1	35° C	
		∞	2	1	1	1	1	1	1	1	1	30° C	
		∞	3	2	2	2	2	2	1	1	1	25° C	
		∞	5	4	3	3	3	2	2	2	2	20° C	
Body 2.1 mm ≤ Thickness <3.1 mm including PLCCs (rectangular) 18-32 pin SOICs (wide body) SOICs ≥20 pins, PQFPs ≤80 pins	Level 2a	∞	∞	∞	∞	58	30	22	3	2	1	35° C	
		∞	∞	∞	∞	86	39	28	4	3	2	30° C	
		∞	∞	∞	∞	148	51	37	6	4	3	25° C	
		∞	∞	∞	∞	∞	69	49	8	5	4	20° C	
	Level 3	∞	∞	12	9	7	6	5	2	2	1	35° C	
		∞	∞	19	12	9	8	7	3	2	2	30° C	
		∞	∞	25	15	12	10	9	5	3	3	25° C	
		∞	∞	32	19	15	13	12	7	5	4	20° C	
	Level 4	∞	5	4	3	3	2	2	1	1	1	35° C	
		∞	7	5	4	4	3	3	2	2	1	30° C	
		∞	9	7	5	5	4	4	3	2	2	25° C	
		∞	11	9	7	6	6	5	4	3	3	20° C	
	Level 5	∞	3	2	2	2	2	1	1	1	1	35° C	
		∞	4	3	3	2	2	2	1	1	1	30° C	
		∞	5	4	3	3	3	3	2	1	1	25° C	
		∞	6	5	5	4	4	4	3	3	2	20° C	
	Level 5a	∞	1	1	1	1	1	1	1	0.5	0.5	35° C	
		∞	2	1	1	1	1	1	1	0.5	0.5	30° C	
		∞	2	2	2	2	2	2	1	1	1	25° C	
		∞	3	2	2	2	2	2	2	2	1	20° C	
Body Thickness <2.1 mm including SOICs <18 pin All TQFPs, TSOPs or All BGAs <1 mm body thickness	Level 2a	∞	∞	∞	∞	∞	∞	17	1	0.5	0.5	35° C	
		∞	∞	∞	∞	∞	∞	28	1	1	1	30° C	
		∞	∞	∞	∞	∞	∞	∞	2	1	1	25° C	
		∞	∞	∞	∞	∞	∞	∞	2	2	1	20° C	
	Level 3	∞	∞	∞	∞	∞	8	5	1	0.5	0.5	35° C	
		∞	∞	∞	∞	∞	11	7	1	1	1	30° C	
		∞	∞	∞	∞	∞	14	10	2	1	1	25° C	
		∞	∞	∞	∞	∞	20	13	2	2	1	20° C	
	Level 4	∞	∞	∞	7	4	3	2	1	0.5	0.5	35° C	
		∞	∞	∞	9	5	4	3	1	1	1	30° C	
		∞	∞	∞	12	7	5	4	2	1	1	25° C	
		∞	∞	∞	17	9	7	6	2	2	1	20° C	
	Level 5	∞	∞	7	3	2	2	1	1	0.5	0.5	35° C	
		∞	∞	13	5	3	2	2	1	1	1	30° C	
		∞	∞	18	6	4	3	3	2	1	1	25° C	
		∞	∞	26	8	6	5	4	2	2	1	20° C	
	Level 5a	∞	7	2	1	1	1	1	1	0.5	0.5	35° C	
		∞	10	3	2	1	1	1	1	1	0.5	30° C	
		∞	13	5	3	2	2	2	1	1	1	25° C	
		∞	18	6	4	3	2	2	2	2	1	20° C	

For product information and a complete list of distributors, please go to our web site: www.avagotech.com

Avago, Avago Technologies, and the A logo are trademarks of Avago Technologies in the United States and other countries.
Data subject to change. Copyright © 2005-2011 Avago Technologies. All rights reserved.
AV02-2977EN - May 23, 2011

