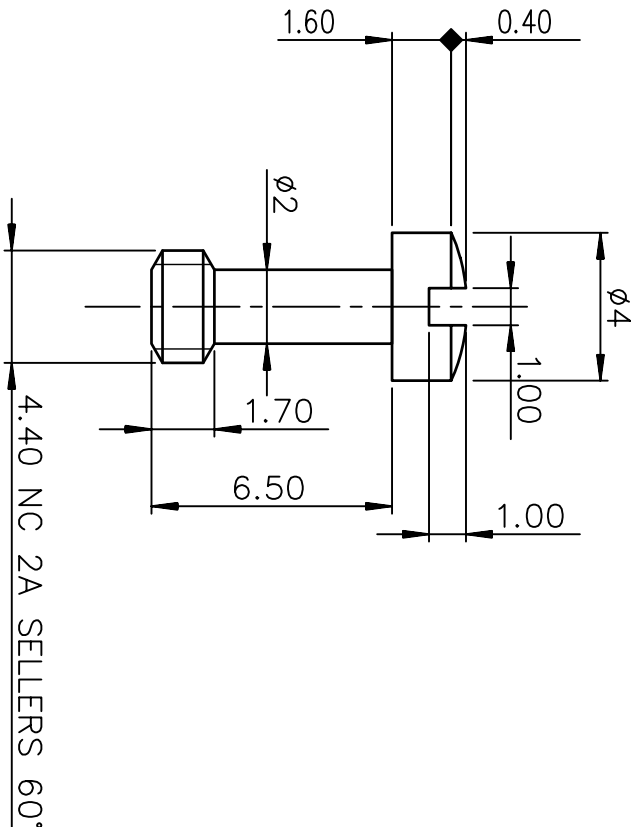
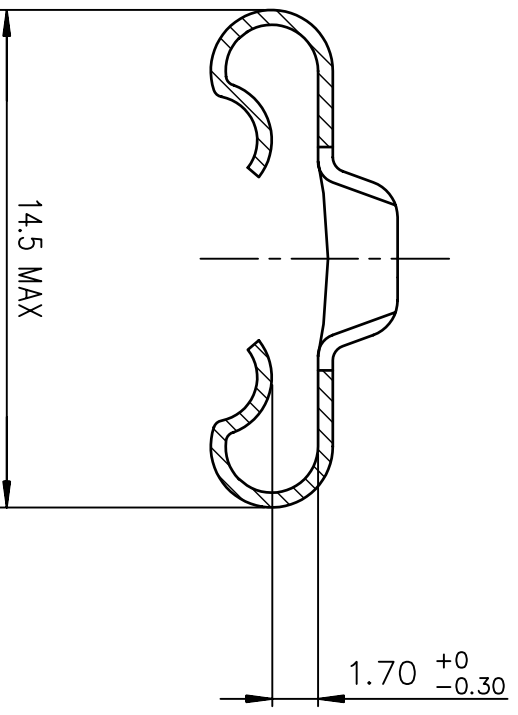
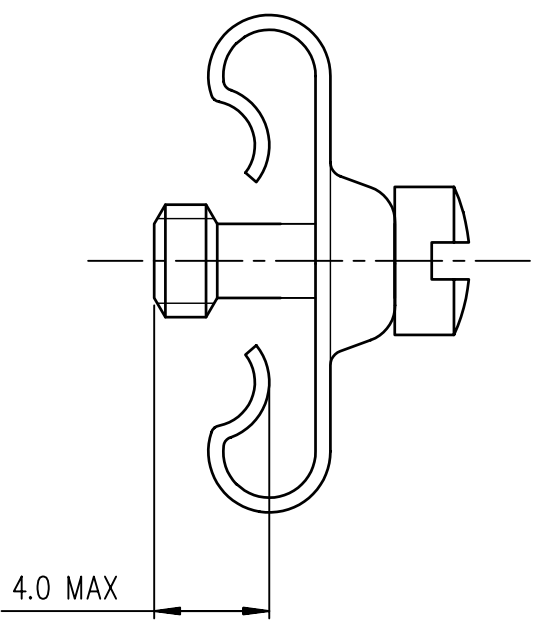


**NOTES**  
 Pieces assembly  
 Packaging : per 100 piece  
 Material : steel



**ASSEMBLY VIEW**



**NOTE : ROHS INFORMATIONS**

- The "LF" product meets European union Directives and other country regulations as described in GS-22-008.
- The product is not intended to be exposed to a manufacturing solder process.
- Plating: Sn pure bright over Copper.
- Packaging spec: see GS-14-920.

rev	ecn no	dr	date
A	LS05-0123	LGO	2005/12/28
B	LS06-0097	LGO	2006/07/28
C	LS09-0006	PCR	2009/01/08
D	ELX-H-01683	PK	2012/05/09
E	ELX-H-01686	PK	2012/05/21

LEAD-FREE PART-NUMBER  
**Part number** 863004ATLF

www.fciconnect.com		surface	ISO 1302	tolerance std	ISO 406 ISO 1101	projection	mm
Dr	GOISNARD	ANGULAR	✓	TOLERANCES UNLESS OTHERWISE SPECIFIED		size	A3
Eng	PESSON	LINEAR	0.X	±0.1	ECN	Scale	5
Chr	LEGARE	0.XX	0.XX	±0.1	ELX-H-011686		
Appr	LEGARE	±2	0.XXX	±0.1			
Product family		D-SUB		Spec ref		-	
MALE SCREW LOCKS		D SUB ACCESSORIES		C01-8655-1634		Rev. E	
catalog no		-		CUSTOMER		sheet 1 of 1	

European Views