

## Plastic connector with metal coupling system

### Description

"UTG" Metalok Bantam plastic industrial circular connectors with metal coupling are a range of multiway connectors to provide the complete answer to the need for lightweight, robust circular connectors. They are available in 8 shell sizes, 11 insert arrangements **all intermateable, interchangeable and intermountable** with the TRIM TRIO "UTO" and "UTP" industrial connector families.



### Features and benefits

- Available in 8 shell sizes and 11 insert arrangements incl. 3 VDE versions.
- Available in plug and receptacle versions for both male and female contacts.
- Connectors and accessories are moulded from highly durable glass-filled thermoplastic.
- Flammability rating: UL94-V0.
- Metal bayonet ring:
  - Metal wave spring loaded.
  - Locks with audible positive "click"
  - Assures 500 matings and unmatings
  - UL recognized file Nr.: E238675

### Performance characteristics

Operating temperature:	-55°C to +125°C
Insulation resistance:	5000 MΩ min.
Test potential:	2000 VAC
Durability:	500 matings and unmatings.
Vibration resistance:	Per MIL-STD202 method 204
Thermal shock:	Per MIL-STD202 method 207
Degree of protection per DIN 40050: IP65 in mated condition. "H" version used with waterprotected backshells.	

### Construction

Connector body	Glass filled thermoplast UL94-V0 Colour: black
Coupling ring:	Nickel plated brass
Tri-lock pins:	Stainless steel
Coupling spring:	Spring steel

### Contact accommodation

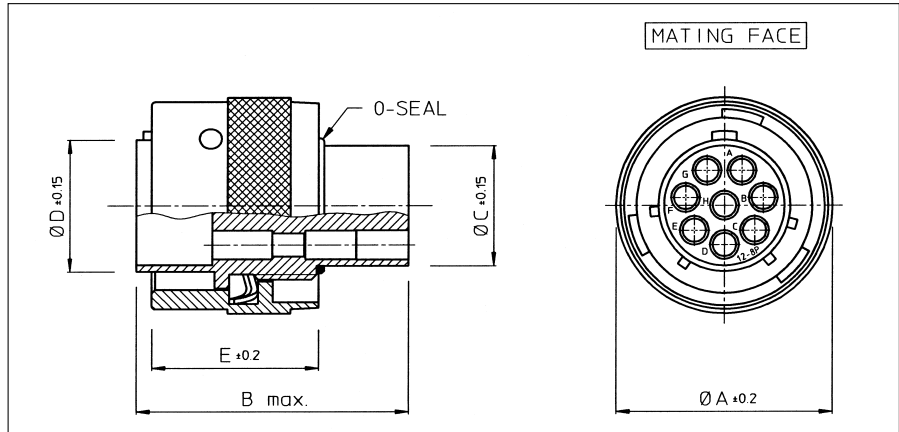
- "UTG" connectors accept TRIM TRIO size 16 removable snap-lock contacts (see contact section)
- Contacts to be ordered separately.

### How to order

<b>Connector family :</b>	<b>UTG</b>	<b>0</b>	<b>14</b>	<b>12</b>	<b>P</b>		<b>H</b>	<b>--</b>
	<b>UTG</b>	<b>6</b>	<b>14</b>	<b>12</b>	<b>S</b>	<b>N</b>		<b>--</b>
<b>Body variation:</b>	<b>0</b> : Wall mounting receptacle <b>6</b> : Cable plug <b>1</b> : Free hanging receptacle							
<b>Shell size:</b>								
<b>Insert arrangement:</b>								
<b>Type of contacts:</b>	<b>P</b> : Pin contacts <b>S</b> : Socket contacts							
<b>Plating</b>	<b>N</b> : Nickelplated bayonet ring							
<b>Application</b>	<b>No letter</b> : Standard version <b>H</b> : Water protected version (only receptacle)							
<b>Design variation</b>	<b>No letter</b> : Moulded-in contact marking (standard version) <b>Others</b> : Specials versions							



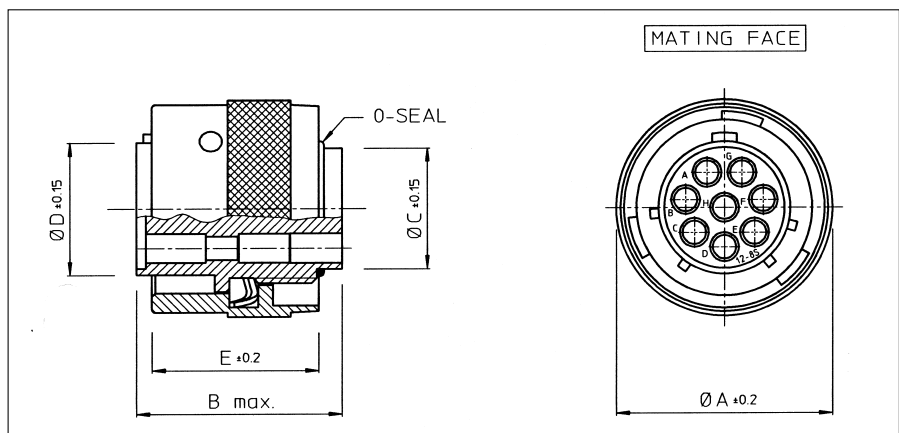
## Cable plug for pin contacts (UTG6- - - -PN)



Part number	Shell size	Ø A ±0.2	B max.	Ø C ±0.15	Ø D ±0.15	E ±0.2
<b>UTG6104PN / UTG6103PNVDE</b>	<b>10</b>	21.6	31.8	10.9	12.2	19.1
<b>UTG6128PN</b>	<b>12</b>	24.8		13.8	15.1	
<b>UTG61412PN</b>	<b>14</b>	28.0		17.0	18.3	
<b>UTG61619PN</b>	<b>16</b>	31.2		19.9	21.5	
<b>UTG61823PN / UTG6187PNVDEU</b>	<b>18</b>	34.3	31.8 / 33.0	22.4	24.0	
<b>UTG62028PN / UTG62020PN</b>	<b>20</b>	37.5	31.8 / 35.3	25.6	27.2	
<b>UTG62235PN</b>	<b>22</b>	40.7	31.8	26.5	30.4	
<b>UTG62448PN</b>	<b>24</b>	43.9		31.7	33.5	

Part numbers are suitable for both standard and IP65 water protection versions.

## Cable plug for socket contacts (UTG6- - - -SN)



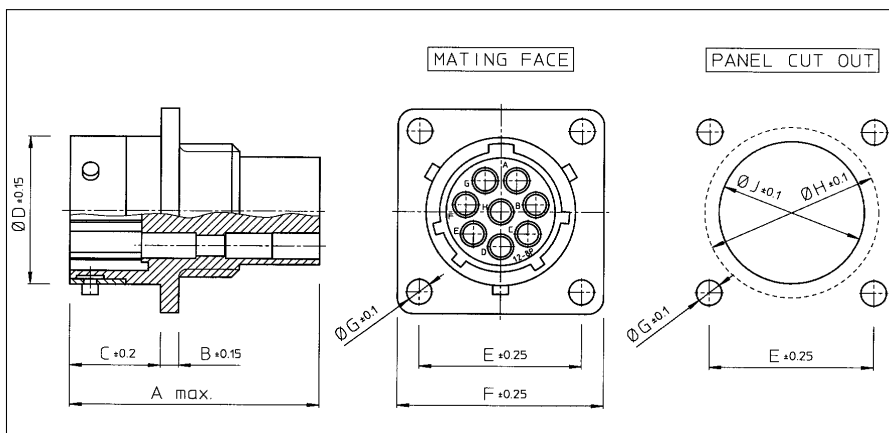
Part number	Shell size	Ø A ±0.2	B max.	Ø C ±0.15	Ø D ±0.15	E ±0.2
<b>UTG6104SN / UTG6103SNVDE</b>	<b>10</b>	21.6	23.9 / 26.75	10.9	12.2	19.1
<b>UTG6128SN</b>	<b>12</b>	24.8	23.9	13.8	15.1	
<b>UTG61412SN</b>	<b>14</b>	28.0		17.0	18.3	
<b>UTG61619SN</b>	<b>16</b>	31.2	19.9	21.5		
<b>UTG61823SN / UTG6187SNVDEU</b>	<b>18</b>	34.3	23.9 / 29.0	22.4	24.0	
<b>UTG62028SN / UTG62020SN</b>	<b>20</b>	37.5	24.9	25.6	27.2	
<b>UTG62235SN</b>	<b>22</b>	40.7		28.5	30.4	
<b>UTG62448SN</b>	<b>24</b>	43.9	26.2	31.7	33.5	

Part numbers are suitable for both standard and IP65 water protection versions.

# UTG



## Wall mounting receptacle for pin contacts (UTG0- - - -P)

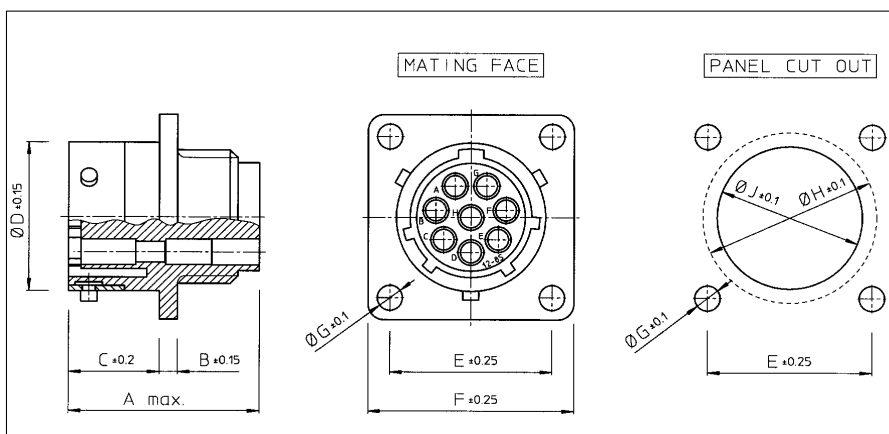


Part number	Shell size	A max.	B ±0.15	C ±0.2	Ø D ±0.15	E ±0.25	F -0.25	Ø G ±0.1	Ø H ±0.1	Ø J ±0.1
UTG0104P / UTG0103PVDE	10	31.7	2.3	11.3	15.0	18.3	23.8	3.2	17.3	15.1
UTG0128P	12				19.0	20.6	26.2		21.8	18.2
UTG01412P	14				22.2	23.0	28.6		25.0	21.4
UTG01619P	16				25.3	24.6	31.0		28.1	24.6
UTG01823P / UTG0187PVDEU	18	31.7/34.0	2.5	11.3/17.9	28.5	27.0	33.3	3.9	31.3	27.8
UTG02028P / UTG02020P	20	33.3/34.3			14.5	31.7	29.4		36.5	34.5
UTG02235P	22	33.3	3.5	15.3	34.9	31.8	39.7	3.9	37.7	34.1
UTG02448P	24				38.0	34.9	42.9		40.9	37.3

For IP65 waterprotected version add "H" behind "P" e.g. UTG01412PH

A square flange sealing has to be ordered separately to guarantee a sealing with the equipment. Refer to "Circular accessories" section (UTFD--).

## Wall mounting receptacle for socket contacts (UTG0- - - -S)



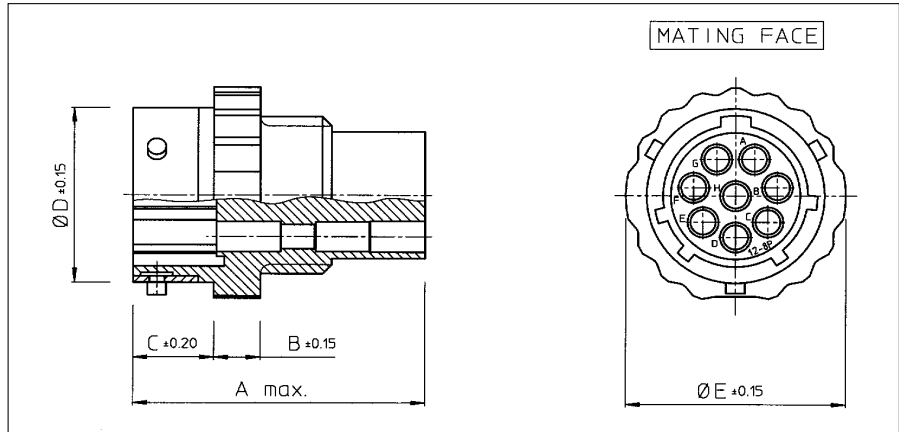
Part number	Shell size	A max.	B ±0.15	C ±0.2	Ø D ±0.15	E ±0.25	F -0.25	Ø G ±0.1	Ø H ±0.1	Ø J ±0.1
UTG0104S / UTG0103SVDE	10	24.3/27.6	2.3	11.3	15.0	18.3	23.8	3.2	17.3	15.1
UTG0128S	12	24.3			19.0	20.6	26.2		21.8	18.2
UTG01412S	14				22.2	23.0	28.6		25.0	21.4
UTG01619S	16				25.3	24.6	31.0		28.1	24.6
UTG01823S / UTG0187SVDEU	18	24.3/30.4	2.5	11.3/17.9	28.5	27.0	33.3	3.9	31.3	27.8
UTG02028S / UTG02020S	20	27.0			14.5	31.7	29.4		36.5	34.5
UTG02235S	22	28.0	3.5	15.3	34.9	31.8	39.7	3.9	37.7	34.1
UTG02448S	24				30.4	38.0	34.9		42.9	40.9

For IP65 waterprotected version add "H" behind "S" e.g. UTG01412SH

A square flange sealing has to be ordered separately to guarantee a sealing with the equipment. Refer to "Circular accessories" section (UTFD--).



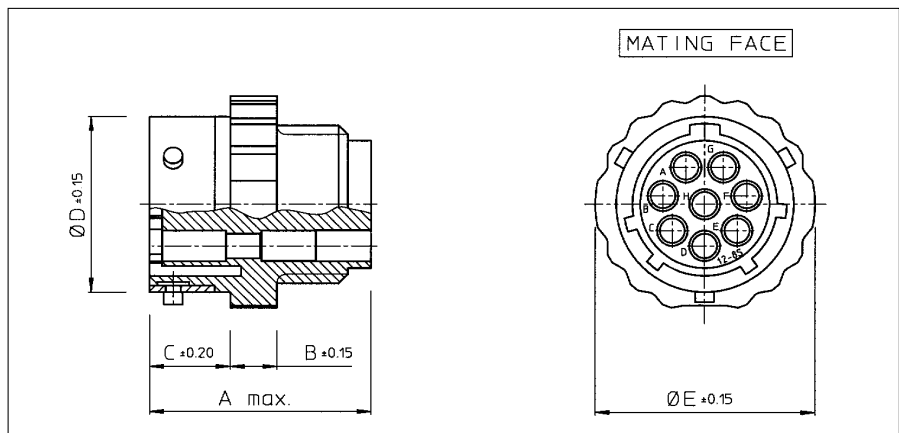
## Free hanging receptacle for pin contacts (UTG1- - - -P)



Part number	Shell size	A max.	B ±0.15	C ±0.2	Ø D ±0.15	Ø E ±0.15
<b>UTG1104P / UTG1103PVDE</b>	<b>10</b>	31.7	5.0	8.65	15.0	19.5
<b>UTG1128P</b>	<b>12</b>				19.0	23.5
<b>UTG11412P</b>	<b>14</b>				22.2	27.0
<b>UTG11619P</b>	<b>16</b>				25.3	30.0
<b>UTG11823P / UTG1187PVDEU</b>	<b>18</b>	31.7/34.0	5.0	8.65/15.35	28.5	33.0
<b>UTG12028P / UTG12020P</b>	<b>20</b>	33.3/34.3		12.05	31.7	36.5
<b>UTG12235P</b>	<b>22</b>	33.3		13.85	34.9	39.5
<b>UTG12448P</b>	<b>24</b>				38.0	42.5

For IP65 waterprotected version add "H" behind "P" e.g. UTG11412PH

## Free hanging receptacle for socket contacts (UTG1- - - -S)



Part number	Shell size	A max.	B ±0.15	C ±0.2	Ø D ±0.15	Ø E ±0.15
<b>UTG1104S / UTG1103SVDE</b>	<b>10</b>	24.3/27.6	5.0	8.65	15.0	19.5
<b>UTG1128S</b>	<b>12</b>	24.3			19.0	23.5
<b>UTG11412S</b>	<b>14</b>				22.2	27.0
<b>UTG11619S</b>	<b>16</b>				25.3	30.0
<b>UTG11823S / UTG1187SVDEU</b>	<b>18</b>	24.3/30.4	5.0	8.65/15.35	28.5	33.0
<b>UTG12028S / UTG12020S</b>	<b>20</b>	25.9		12.05	31.7	36.5
<b>UTG12235S</b>	<b>22</b>			13.85	34.9	39.5
<b>UTG12448S</b>	<b>24</b>					38.0

For IP65 waterprotected version add "H" behind "S" e.g. UTG11412SH