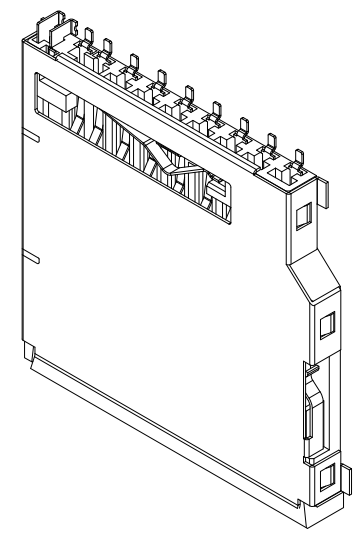
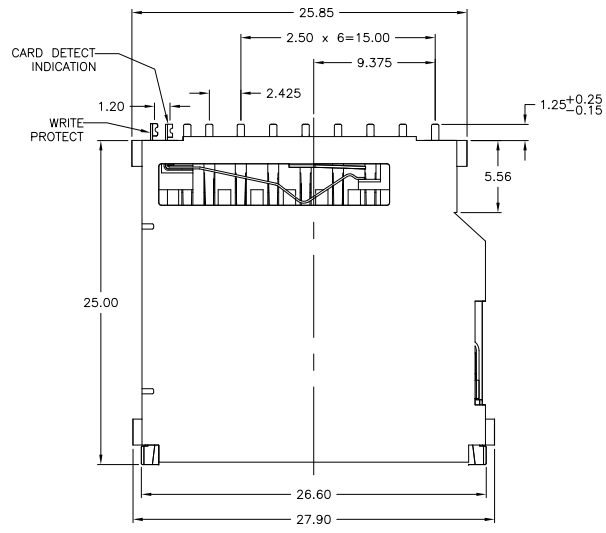
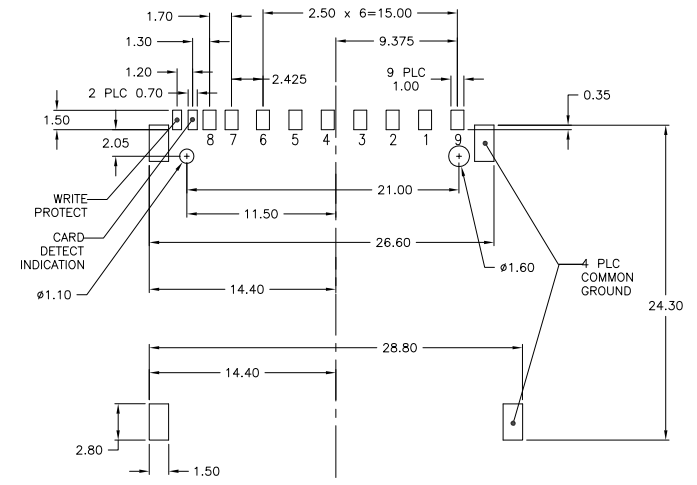
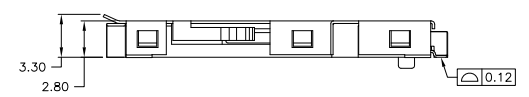
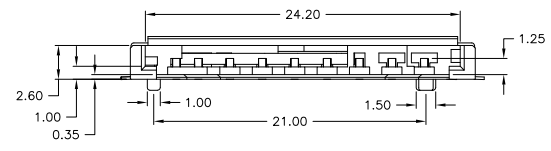


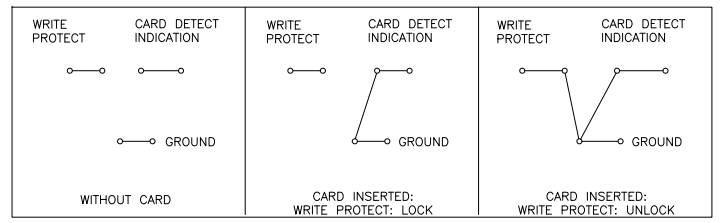
LOC		REV		REVISIONS		
GP	00	TR	CR	DESCRIPTION	DATE	BY
A6				REVISED PER ECO-12-008936	20JUL2012	JL WK



- 1. MATERIAL:
HOUSING: THERMOPLASTIC, WITH 30% GLASS FIBER FILLED, UL 94V-0 RATED, COLOR: IVORY.
CONTACTS: PHOSPHOR BRONZE, THICKNESS=0.20mm.
SHIELD: STEEL ALLOY, THICKNESS=0.20mm.
- 2. FINISH:
CONTACT: 30µ" MIN GOLD PLATED ON CONTACT AREA.
80µ" MIN MATTE TIN PLATED ON SOLDERTAILS.
50µ" MIN NICKEL UNDERPLATE ALL OVER.
SHIELD: GOLD FLASH ON SOLDERING AREA. 30µ" MIN NICKEL UNDERPLATED ALL OVER.
- 3. FINISH:
CONTACT: 10µ" MIN GOLD PLATED ON CONTACT AREA.
80µ" MIN MATTE TIN PLATED ON SOLDERTAILS.
50µ" MIN NICKEL UNDERPLATE ALL OVER.
SHIELD: GOLD FLASH ON SOLDERING AREA. 30µ" MIN NICKEL UNDERPLATED ALL OVER.
- 4. SWITCH: NORMALLY OPEN.
- 5. REFLOW SOLDER CAPABLE TO 260°C PER TE CONNECTIVITY SPEC 109-201, CONDITION B.



CIRCUIT:



RECOMMENDED PCB LAYOUT
TOLERANCES: ±0.05mm

3	REEL	2041021-4
3	TRAY	2041021-3
2	REEL	2041021-2
2	TRAY	2041021-1
FINISH	PACKAGING	PART NUMBER

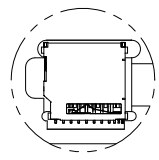
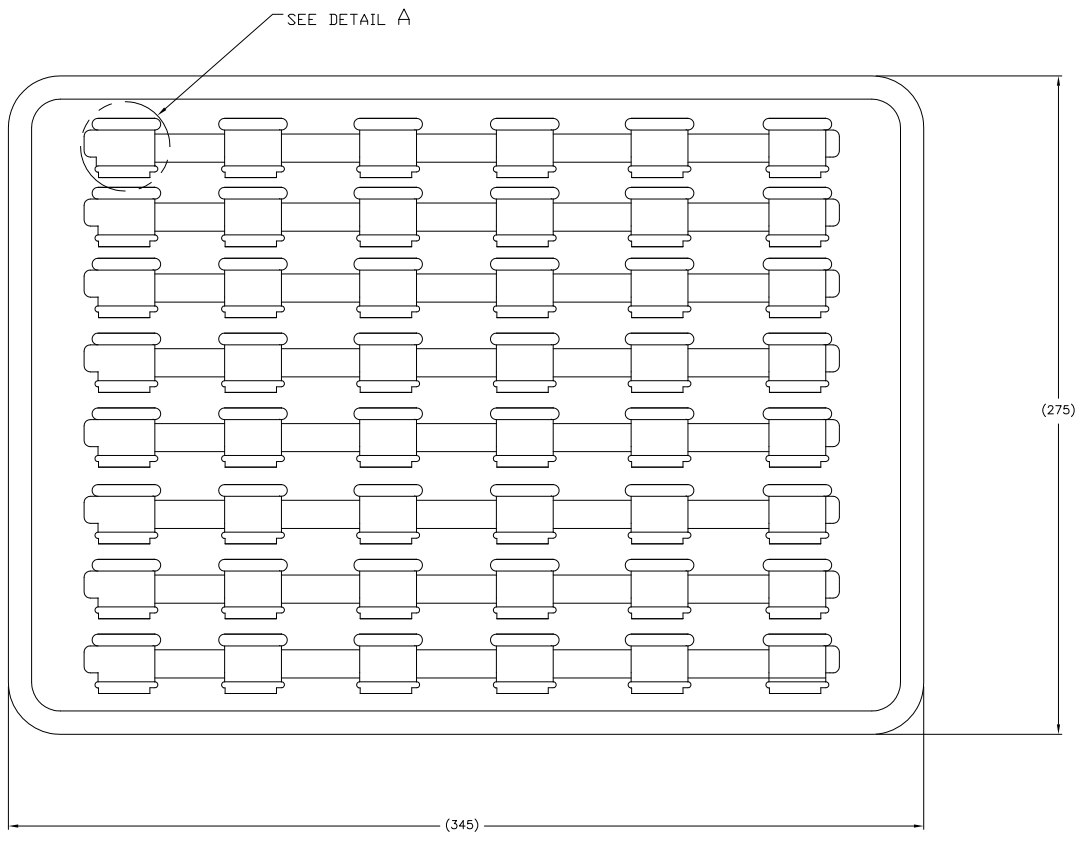
THIS DRAWING IS A CONTROLLED DOCUMENT.

DESIGNED BY: B. MCMASTER	25/FEB/08	DATE	25/FEB/08
CHKD BY: D. SORENC	25/FEB/08	DATE	25/FEB/08
APPROVED BY: D. SORENC	25/FEB/08	DATE	25/FEB/08
PRODUCT SPEC:		APPLICATION SPEC:	
0 PLC ± 0.5		SIZE: A1	DATE CODE: 00779
1 PLC ± 0.3		DRAWING NO: C=2041021	RESTRICTED TO: -
2 PLC ± 0.3		SCALE: 5:1	SHEET: 1 of 3
3 PLC ± 0.2		REV: A6	
4 PLC ± -			
ANGLE: -			

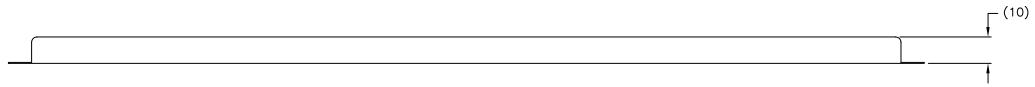
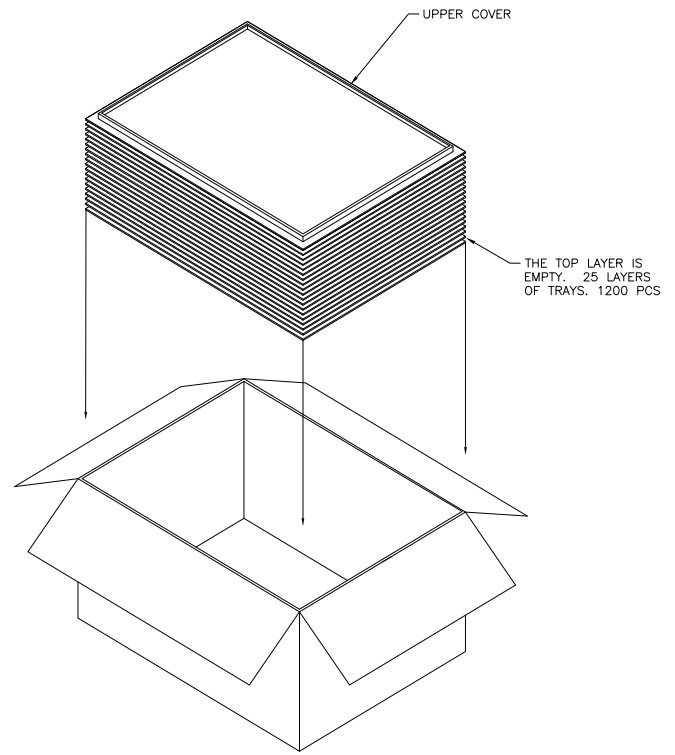
MATERIAL: 1 FINISH: 2, 3

CUSTOMER DRAWING

LOC	DATE	REVISIONS				
GP	00	REV	DESCRIPTION	DATE	OWN	APPD
-	-	SEE SHEET 1	-	-	-	-

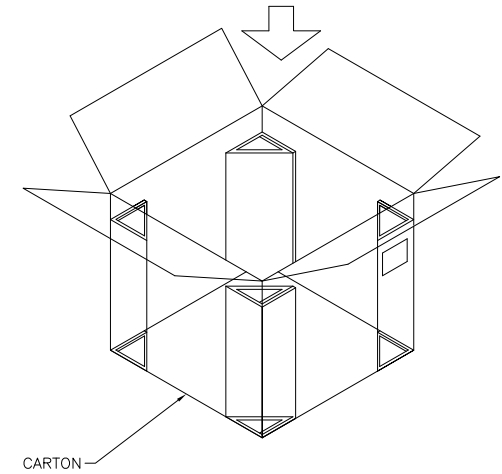
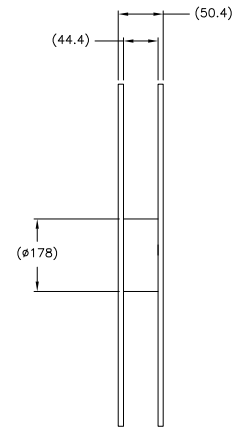
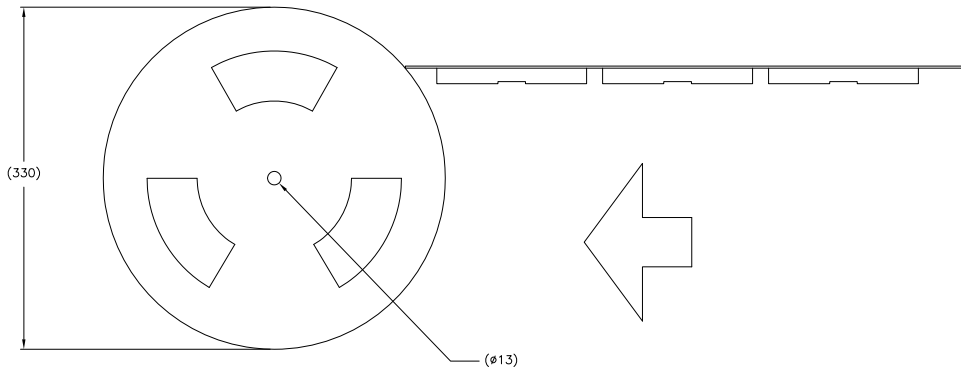
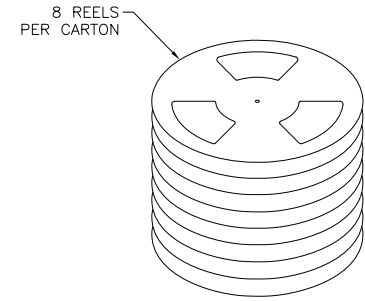
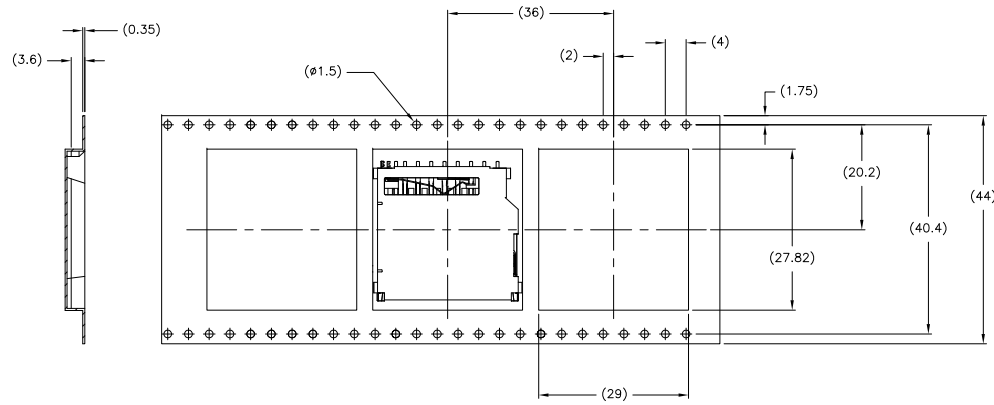


DETAIL A
 PART ORIENTATION
 SHOWN FOR REFERENCE



TRAY PACKAGING FOR
 2041021-1 AND 2041021-3
 48 PIECES PER TRAY.
 -NTS-

THIS DRAWING IS A CONTROLLED DOCUMENT.		DATE: 25/FEB/08	TE Connectivity	
DRAWN BY: B. MCMASTER		25/FEB/08	SECURE DIGITAL CARD CONNECTOR	
CHECKED BY: D. SORENC		25/FEB/08	CUSTOMER DRAWING	
APPROVED BY: D. SORENC		25/FEB/08	SCALE: 5:1	
PRODUCT SPEC: -		SIZE: A1		RESTRICTED TO: -
APPLICATION SPEC: -		DRAWING NO: 100779		SHEET 2 of 3
MATERIAL: -		WEIGHT: -		REV: A6
FINISH: -		DRAWING NO: C-2041021		



TAPE AND REEL PACKAGING FOR
2041021-2 AND 2041021-4
300 PIECES PER REEL
-NTS-

THIS DRAWING IS A CONTROLLED DOCUMENT.		DATE: 25/FEB/08	TE Connectivity	
DRAWN BY: B. MCMASTER		25/FEB/08	SECURE DIGITAL CARD CONNECTOR	
CHECKED BY: D. SORENC		25/FEB/08	RESTRICTED TO: A6	
APPROVED BY: D. SORENC		25/FEB/08	SCALE: 5:1	
PRODUCT SPEC: --		SIZE: A1		SHEET 3 of 3
APPLICATION SPEC: --		DRAWING NO: 100779		REV: C
MATERIAL: --		WEIGHT: --		REV: C
FINISH: --		DRAWING NO: 100779		REV: C
CUSTOMER DRAWING		SCALE: 5:1		SHEET 3 of 3