



Zero Biased Detector With 50 Ohm SMA Male to SMA Female Video Out Operating From 10 MHz to 12.4 GHz

TECHNICAL DATA SHEET

PE8012

Zero Biased Detector With 50 Ohm SMA Male to SMA Female Video Out Operating From 10 MHz to 12.4 GHz

Configuration

Bias Type	Zero Biased
Body Style	Straight
RF Input Connector	SMA Male
RF Input Impedance	50 Ohms
Video Output Connector	SMA Female

Electrical Specifications

Frequency Range, GHz	0.01 to 12.4
Voltage Sensitivity, mV/mW	500
Tangential Signal Sensitivity	-52
Maximum VSWR	1.4:1
Maximum Input Power, Watts	23
Video Capacitance, pF	470

Mechanical Specifications

Temperature

Operating Range, deg C	0 to +90
------------------------	----------

Size

Length, in [mm]	1.21 [30.73]
Width/Dia., in [mm]	0.31 [7.87]

RF Input

Type	SMA Male
Hex Size, Inch	5/16
Torque, in-lbs [Nm]	8 [0.9]

Video Output

Type	SMA Female
------	------------

Compliance Certifications (visit www.Pasternack.com for current document)

RoHS Compliant	Yes
----------------	-----

Plotted and Other Data

Notes:	Values at 25 °C, sea level
--------	----------------------------

Click the following link (or enter part number in "SEARCH" on website) to obtain additional part information including price, inventory and certifications: [Zero Biased Detector With 50 Ohm SMA Male to SMA Female Video Out Operating From 10 MHz to 12.4 GHz PE8012](#)

The information contained in this document is accurate to the best of our knowledge and representative of the part described herein. It may be necessary to make modifications to the part and/or the documentation of the part, in order to implement improvements. Pasternack reserves the right to make such changes as required. Unless otherwise stated, all specifications are nominal.



Zero Biased Detector With 50 Ohm SMA Male to SMA Female Video Out Operating From 10 MHz to 12.4 GHz

TECHNICAL DATA SHEET

PE8012

Zero Biased Detector With 50 Ohm SMA Male to SMA Female Video Out Operating From 10 MHz to 12.4 GHz from Pasternack Enterprises has same day shipment for domestic and International orders. Our RF, microwave and fiber optic products maintain a 99% availability and are part of the broadest selection in the industry.

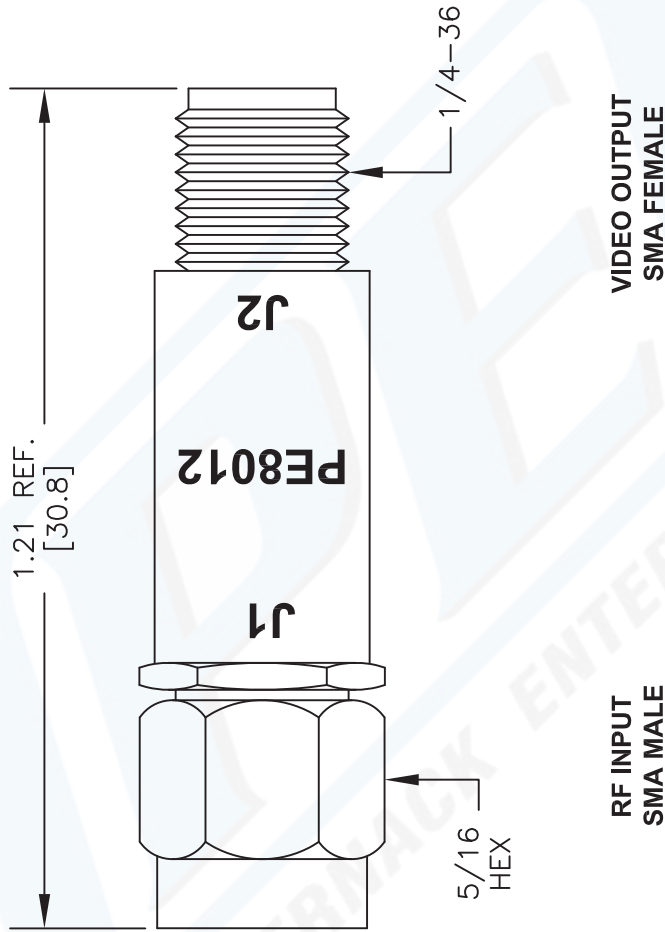
Click the following link (or enter part number in "SEARCH" on website) to obtain additional part information including price, inventory and certifications: [Zero Biased Detector With 50 Ohm SMA Male to SMA Female Video Out Operating From 10 MHz to 12.4 GHz PE8012](http://www.pasternack.com/50-ohm-sma-zero-biased-detector-negative-10-mhz-12400-mhz-pe8012-p.aspx)

URL: <http://www.pasternack.com/50-ohm-sma-zero-biased-detector-negative-10-mhz-12400-mhz-pe8012-p.aspx>

The information contained in this document is accurate to the best of our knowledge and representative of the part described herein. It may be necessary to make modifications to the part and/or the documentation of the part, in order to implement improvements. Pasternack reserves the right to make such changes as required. Unless otherwise stated, all specifications are nominal.

PE8012 CAD Drawing

Zero Biased Detector With 50 Ohm SMA Male to SMA Female
Video Out Operating From 10 MHz to 12.4 GHz



NOTES:
1. UNLESS OTHERWISE SPECIFIED ALL DIMENSIONS ARE NOMINAL.
2. ALL SPECIFICATIONS ARE SUBJECT TO CHANGE WITHOUT NOTICE AT ANY TIME.
3. DIMENSIONS ARE IN INCHES [mm].

DWG TITLE
PE8012

REV. C	FSCM NO. 53919	CAD FILE 060812	SCALE N/A	SIZE A	2233
--------	----------------	-----------------	-----------	--------	------

PASTERNAK
Pasternack Enterprises, Inc.
P.O. Box 16759 | Irvine | CA | 92623
Phone: (949) 261-1920 | Fax: (949) 261-7451
Website: www.pasternack.com | E-Mail: sales@pasternack.com