

**GE6061/GE6063 General Description**

The GE6061/GE6063 is a CMOS IC for siren/alarm application. It has V<sub>DD</sub> control 1/6 siren sounds and the GE6061/GE6063 will be generated in cycling sequence.

**GE6061/GE6063 Features**

CMOS process

Low stand-by current

On-chip RC oscillator

Auto power off function

Absolute Maximum Ratings

DC supply Voltage V<sub>DD</sub>----- -0.3V~5V

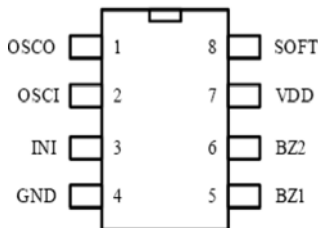
Storage temperature T<sub>stg</sub>     -25°C ~+125°C

Operating temperature T<sub>op</sub>    0°C ~+70°C

**GE6061/GE6063 Electronic characteristics**

Characteristics	Sym.	Min.	Typ.	Max.	Unit	Remark
Operating Voltage	V <sub>DD</sub>	2.0	3.3	5.5	V	
Stand-by Current	I <sub>DD</sub>	--	3.0	15	μA	
Operating Current	I <sub>OP</sub>	--	0.1	0.5	mA	No Load
BZ1/BZ2 Driving Current	I <sub>DRV</sub>	3.0	--	--	mA	@V <sub>DS</sub> =0.7V
Oscillator Frequency F <sub>osc</sub>	F <sub>osc</sub>	--	128	--	KHZ	R <sub>osc</sub> = 75KΩ, F <sub>osc</sub> ±10%

**GE6061/GE6063 Pin assignment & description**



No.	Name	I/O	Function
1	OSCO	O	Oscillator output
2	OSCI	I	Oscillator input
3	INI	I	Power on reset input
4	GND	Power	Negative power supply
5	BZ1	O	Audio output, positive
6	BZ2	O	Audio output, positive
7	VDD	Power	Positive power supply
8	SOFT	I	Soft chirp selection <b>Open = 1/6 sound without soft chirp</b> <b>V<sub>DD</sub> = 1/6 sound with soft chirp</b>

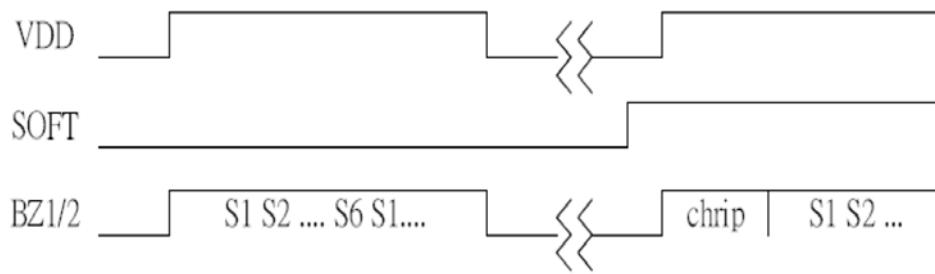
**Silvan Chip Electronics Tech.Co.,Ltd.**

**Address:** Fl.16 FuChang Building, Binhe Rd, Shenzhen, China

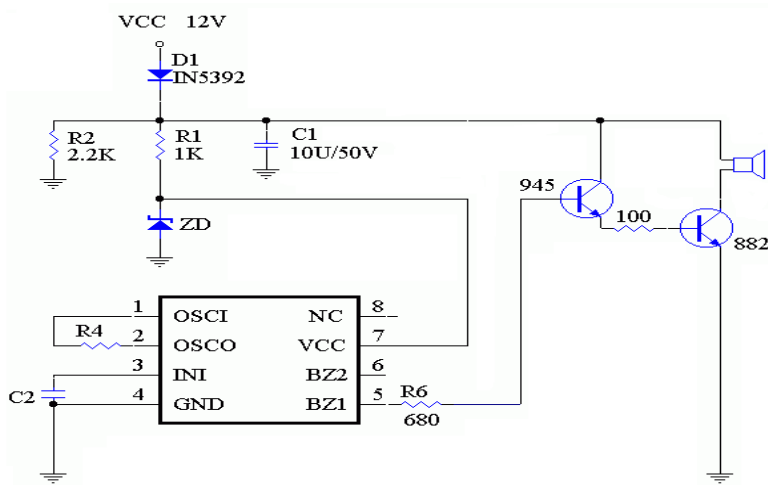
**Phone:** 86-0755-88291843 88304213 **Fax :** 86-0755-88290509

**Email:** [jj@sc-tech.cn](mailto:jj@sc-tech.cn) **Http://** [www.sc-tech.cn](http://www.sc-tech.cn)

**GE6061/GE6063 Timing diagram**



**GE6061/GE6063 Application diagram**



ZD	R4	C2
4.3V	330K	102
3.9V	300K	102

**GE6061/GE6063 Variation of**

**VDD & Fosc**

