

BPC-5017-J

17" Panel PC with Touch Screen, Core™ i3/i5/i7, 1 eSATA, 1 COM, 8 USB, 180W ATX P/S, 1 Expansion Slot

Panel PC



Features

- » Aluminum front panel design
- » 17" TFT color panel display w/ touch screen
- » Supports Intel® Core™ i3/i5/i7 processor TDP ≤ 35W
- » VGA, DVI, HDMI, Gigabit Ethernet, Audio port
- » 1 x 2.5" SATA HDD space, 1 x slim CD-ROM space
- » 1 x mini PCIe socket
- » 1 x PCIe x16 2.0 slot
- » 1 x eSATA port, 1 x COM port, 8 x USB2.0 port
- » 180W ATX power supply
- » 2 x 4cm ball bearing cooling fan
- » Option for Wireless LAN module

System

LCD

Size: 17"
Max. Resolution: 1280 x 1024 pixels
Brightness: 300 cd/m²
Contrast Ratio: 800:1
Max. Color: 16.7M colors
Pixel Pitch: 0.264 x 0.264 mm

Touch Screen

17" resistive

SBC

HS-1758A

CPU

Intel® Core™ i3/i5/i7 processor (option)

System Chipset

Intel® QM57

System Memory

2 x 204-pin SO-DIMM, DDR3 1066/800MHz, Max. 8GB

Display Interface:

1 x D-SUB 15-pin
1 x DVI
1 x HDMI

Audio Interface

Audio jack for MIC In, Line Out, Line In
1 x Coaxial Out
1 x Optical Out

Ethernet Interface

1 x RJ-45 for Gigabit Ethernet
1 x USB wireless LAN module (option)

Storage

1 x 2.5" SATA HDD space
1 x slim CD-ROM space

Expansion Interface

1 x mini PCIe socket
1 x PCIe x16 2.0 slot

Watchdog Timer

Software programmable time-out intervals from 1~255 sec. or 1~255min.

H/W Status Monitor

Monitoring temperatures, voltages, and cooling fan status

Thermal System

2 x 4cm ball bearing cooling fan

Power

180W ATX power supply
12V 150W DC adapter (option)

Operating/Storage Temperature

0~50°C/-20~+70°C

Certification

FCC/CE Class A compliance
IP65 front panel protection compliance

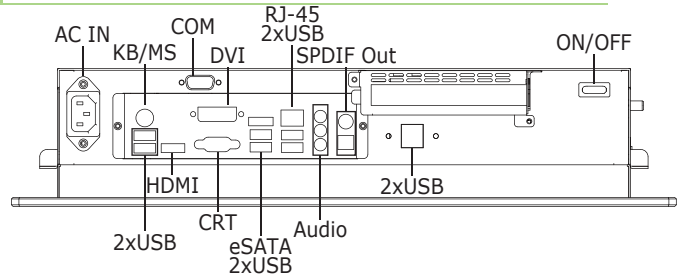
Dimensions

45.0(L) x 37.0(H) x 9.33(W) cm

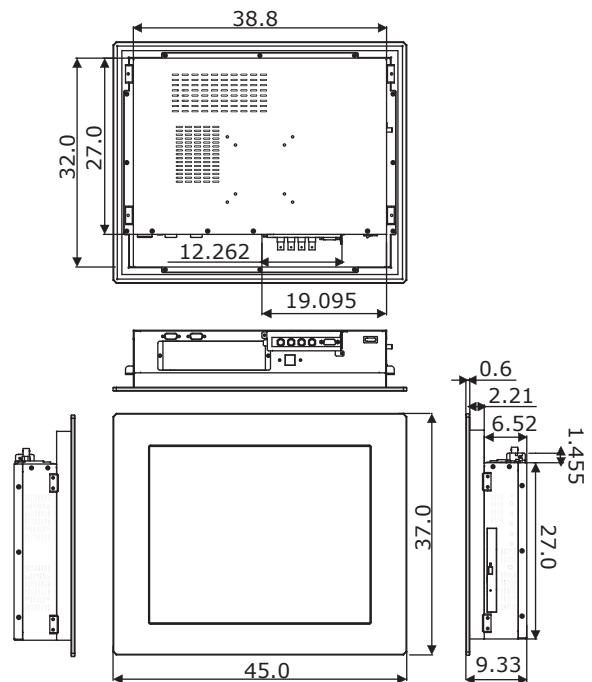
Cut Out Size

39.2(L) x 32.4(H) cm

I/O Interface



Dimensions (unit:cm)



Ordering Information

BPC-5017-J

17" Panel PC w/Touch Screen, 1 eSATA, 1 COM, 8 USB, 180W ATX P/S

Accessory Options

Table Top Metal Stand, CPU, Memory Module, Wireless LAN Module, 2.5" SATA HDD, Slim CD-ROM, 12V DC Adapter