

MICRO SWITCH

FREEMONT, ILLINOIS U S A
A DIVISION OF HONEYWELL
FED. MFG. CODE 91929

SWITCH-TOGGLE

CATALOG LISTING
2TL91 SERIES

CHART 1

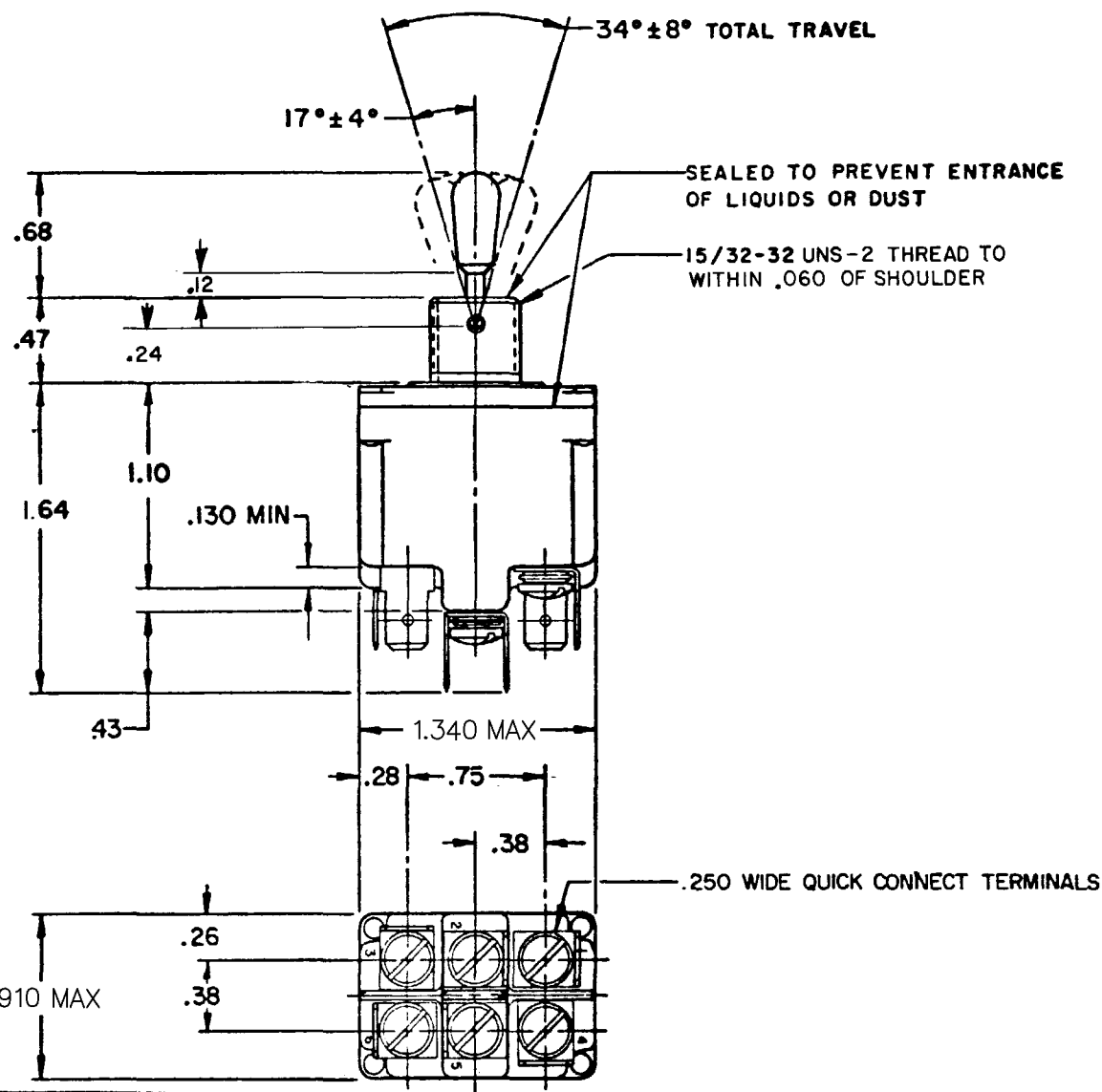
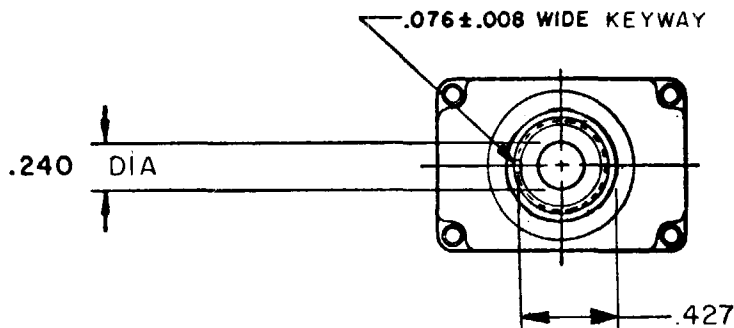
CIRCUIT MADE
WITH TOGGLE LEVER IN

MILITARY RATING (AMPS)

KEYWAY SIDE (1-2,4-5)	CENTER (1-2,4-5)	OPPOSITE KEYWAY (2-3,5-6)
-----------------------	------------------	---------------------------

RESISTIVE LOAD DC VOLTS					LAMP LOAD		INDUCTIVE LOAD	
28	125	250	125	250	28 VDC	125 VAC	28 VDC	125 VAC

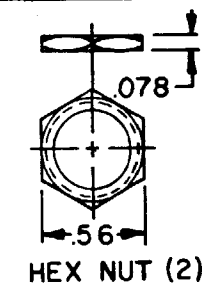
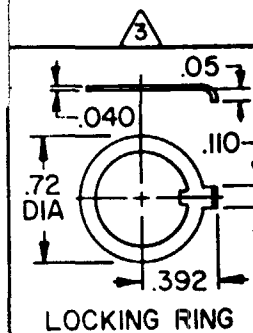
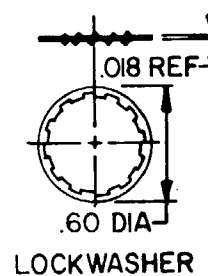
THIS DRAWING COVERS A PROPRIETARY ITEM AND IS THE PROPERTY OF MICRO SWITCH, A DIVISION OF HONEYWELL. THIS DRAWING IS NOT TO BE COPIED OR USED WITHOUT THE APPROVAL OF MICRO SWITCH.



③	ON	OFF	ON
2TL91- 2	OFF	NONE	ON
2TL91- 3	ON	NONE	ON
2TL91- 21	NONE	OFF	ON
2TL91- 31	NONE	ON	ON
2TL91- 4	MOM OFF	NONE	ON
2TL91- 5	MOM ON	OFF	ON
2TL91- 6	MOM ON	NONE	OFF
2TL91- 7	MOM ON	OFF	MOM ON
2TL91- 8	MOM ON	NONE	ON
2TL91- 51	NONE	ON	MOM ON
2TL91- 61	MOM ON	OFF	NONE

20 .75 .5 15 6 7 4 15 15
(REFER TO L191 FOR UL RATING)

18 .75 .5 11 6 5 2 10 8
(REFER TO L192 FOR UL RATING)



NOTES

- SWITCHES ARE CAPABLE OF WITHSTANDING A TEMPERATURE OF 160°F CONTINUOUSLY AT FULL RATED LOAD
 - CIRCUIT DESIGNATION AND MICRO SWITCH CATALOG LISTING STAMPED ON SIDE OF SWITCH
- ③ FURNISHED UNASSEMBLED
④ APPLIES ONLY TO "ON" AND "MOMENTARY ON" POSITIONS

DRAWING NUMBER
2TL91 SERIES CHART 1

ISSUE
M
12

REV	NO	DATE	BY	CHK
A	CO-38592	20 SEPT 77	S	B
B	CO49070	20 MAY 81	J	A
C	CO-50496	13 NOV 81	T	S
D	CO-59379	16 MAY 86	D	A
E	CO-92962	2 JUNE 99	J	A
F	CO-94439	24 NOV 99	C	E
G	203655		J	L
H	0003037	06 FEB 04	T	S

DRAWN
RASTER

SCALE FULL
DO NOT SCALE PRINT

UNLESS OTHERWISE NOTED
DIMENSIONS ARE IN INCHES
TOLERANCES ARE:
ONE PLACE (.0) ±.030
TWO PLACE (.00) ±.015
THREE PLACE (.000) ±.005
ANGLES ±.005

15A-125, 250 OR 277 VAC
1/2 HP-125VAC; 1HP-250, 277 VAC
5A-125VAC "L" CODE L191

10A-125, 250, 277 VAC
1/4HP-125VAC; 1/2HP-250, 277VAC
3A-125VAC "L" CODE L192

WEIGHT, 15 LBS. APPROX.

