

## ST Series

Piconics ST Series is a rectangular top tunable inductor for dense packaging. It has an internal adjusting screw which functions within the dimensions of the package. The product features a high temperature epoxy case and a complete range of values from 20 nH to 1 mH. The ST series is listed in the qualified Products List (QPL) 15305 under the identifier MS 53229 and MS 53230.

### FEATURES:

- Top Tunable
- PC Board Mountable
- Headless, Self-Locking Adjustment Screw
- High Reliability
- High Packing Density
- Style Military LTI1:
  - Grade 2
  - Class A

### ABSOLUTE MAXIMUM RATINGS:

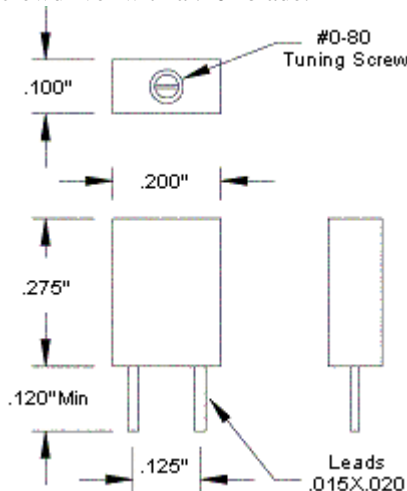
- Storage temperature: -55° C to 125° C.
- Dielectric withstanding voltages: Sea Level 1,000V rms min 70,000 feet 300V rms min
- Operating temperature: -55° C to +125° C.
- Power dissipation: 200 mW max.

### PHYSICAL CHARACTERISTICS:

- Terminal pull: 21lbs. min
- Tuning Torque: .005-.15 in.oz
- Case: Epoxy
- Stop Torque: .15in.oz. max
- Weight: .200 gram max.

### NOTES:

- To tune coil, we recommend a jeweler's screwdriver with a .40" blade.



Part number	L max uH	L min uH	QMin at Lmax	Test Freq Mhz	SRF min MHZ	DCR Max Ohms	Idc Max mA
ST250-8I	.025	.020	50	200	1000	.04	250
ST510-8I	.051	.036	40	100	700	.05	250
ST760-8I	.076	.055	40	100	615	.15	250
ST101-8I	.10	.075	30	25	500	.50	250
ST151-8I	.15	.11	30	25	420	.50	200
ST221-8I	.22	.16	30	25	400	.60	180
ST271-8I	.27	.20	30	25	400	.80	180
ST331-8I	.33	.24	30	25	320	.90	140
ST471-8I	.47	.34	30	25	290	1.0	100
ST561-8I	.56	.40	30	25	250	1.0	100
ST681-8I	.68	.50	30	25	240	1.3	100
ST821-8I	.82	.59	30	25	180	1.4	100
ST102-6I	1.0	.67	25	7.9	140	1.5	100
ST152-6I	1.5	1.0	25	7.9	135	1.6	100
ST222-6I	2.2	1.5	25	7.9	100	2.1	80
ST272-6I	2.7	2.0	25	7.9	60	2.4	75
ST332-6I	3.3	2.2	25	7.9	55	2.7	65
ST472-6I	4.7	3.2	25	7.9	50	3.3	60
ST582-6I	5.8	3.9	25	7.9	36	4.2	58
ST682-6I	6.8	4.6	25	7.9	34	4.5	55
ST822-6I	8.2	5.5	25	7.9	32	4.5	50
ST103-3F	10	6.0	22	2.5	30	4.5	50
ST133-3F	13	6.5	22	2.5	28	4.5	50
ST163-3F	16	8.0	22	2.5	26	5.1	50
ST203-3F	20	10	22	2.5	20	5.3	43
ST223-3F	22	11	22	2.5	14	6.0	43
ST303-3F	30	15	22	2.5	10	6.8	40
ST363-3F	36	18	22	2.5	9.0	7.5	40
ST473-3F	47	24	22	2.5	6.5	8.6	35
ST563-3F	56	28	22	2.5	6.3	10.6	35
ST683-3F	68	34	22	2.5	6.2	12.0	30
ST863-3F	86	43	22	2.5	5.6	15.0	28
ST104-3F	100	50	20	.79	5.4	18.0	27
ST124-3F	120	60	20	.79	4.4	21.0	25
ST474-3F	470	240	20	.79	2.1	45.0	16
ST684-1F	680	340	20	.79	2.0	53.0	15
ST105-1F	1000	500	18	.25	1.1	113.0	11