

PLEASE CHECK WWW.MOLEX.COM FOR LATEST PART INFORMATION

Part Number: [0945407008](#)
Status: **Active**
Description: 5.00mm (.197") Pitch, Wire-to-Wire, Wire-to-Tab, Receptacle, Natural, 8 Circuits

Documents:

[Drawing \(PDF\)](#) [RoHS Certificate of Compliance \(PDF\)](#)
[Product Specification PS-94540-001 \(PDF\)](#)

General

Product Family Crimp Housings
 Series [94540](#)
 Product Name N/A

Physical

Breakaway No
 Circuits (maximum) 8
 Color - Resin Natural
 Gender Female
 Glow-Wire Compliant No
 Material - Resin Nylon
 Number of Rows 1
 Packaging Type Bag
 Panel Mount No
 Pitch - Mating Interface (in) 0.197 In
 Pitch - Mating Interface (mm) 5.00 mm
 Pitch - Term. Interface (in) 0.197 In
 Pitch - Term. Interface (mm) 5.00 mm
 Polarized to Mating Part Yes
 Ports 1
 Stackable No
 Temperature Range - Operating -40°C to +85°C

Electrical

Current - Maximum per Contact 25A

Material Info

Reference - Drawing Numbers

Product Specification PS-94540-001
 Sales Drawing SD-94540-001

EU RoHS

**ELV and RoHS
 Compliant**
**REACH SVHC
 Not Reviewed**
**Halogen-Free
 Status
 Not Reviewed**

China RoHS



**Need more information on product
 environmental compliance?**

Email productcompliance@molex.com
 For a multiple part number RoHS Certificate of
 Compliance, [click here](#)

Please visit the [Contact Us](#) section for any
 non-product compliance questions.

Search Parts in this Series

[94540Series](#)

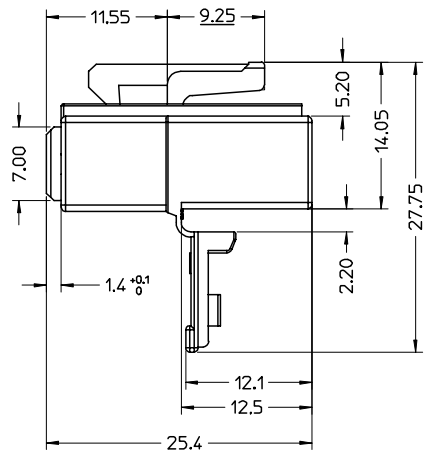
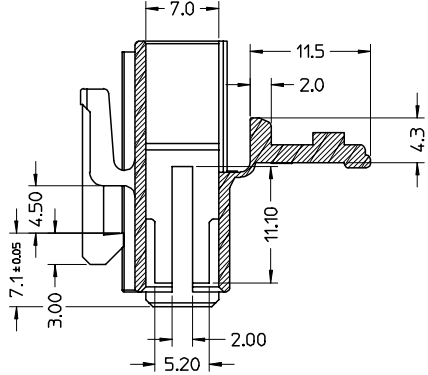
Mates With

[94213 Header](#)

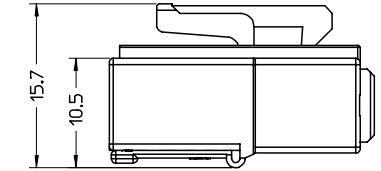
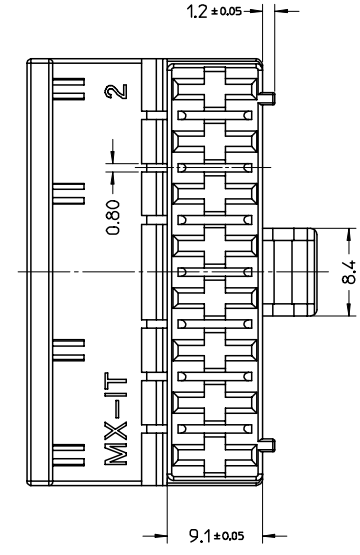
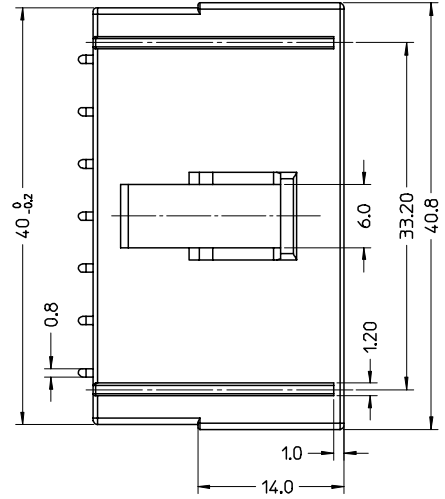
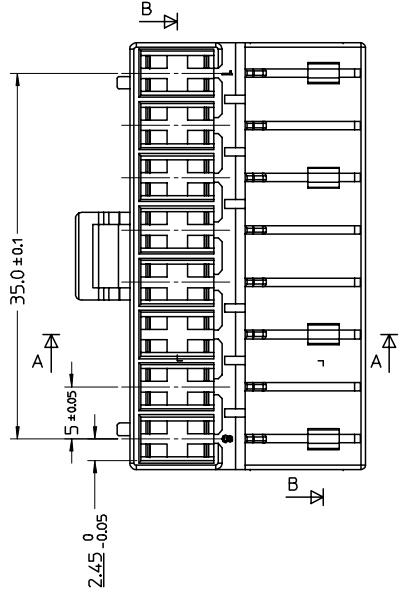
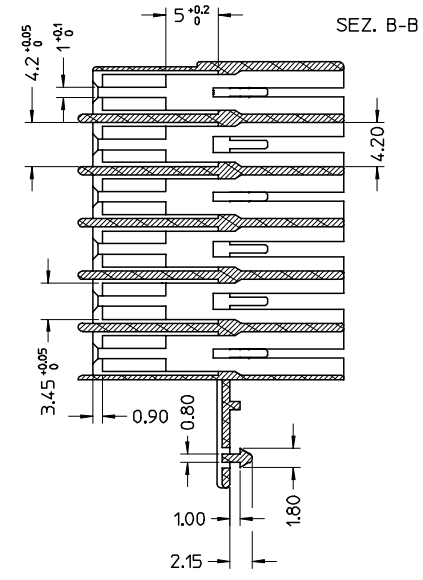
Use With

[94518 Terminal](#)

SEZ. A-A



SEZ. B-B



MATERIALE: NYLON 6.6 V2 NATURALE
MATERIAL: NYLON 6.6 V2 NATURAL

IMBALLO: BOX CON SACCHETTO DI NYLON
PACKAGING: BOX WITH PLASTIC BAG

SPQ: 1800 pz.

Std.description: FEM HOUSING W/LATCH+SEC.LOCK 8 CKT

ENTER DESCRIPTION EC NO: Z2008-0072 DRWNG:FGOTTARDO 2007/10/26 CHKD:LSANTUSSO 2007/10/26 APPR:GZUJN 2007/11/27	QUALITY SYMBOLS ▽=0 ▽=0	GENERAL TOLERANCES (UNLESS SPECIFIED)		DIMENSION STYLE MM ONLY		SCALE	DESIGN UNITS METRIC	FIRST ANGLE PROJECTION	
		4 PLACES ± ---	mm	INCH	DRAWN BY FGOTTARDO	DATE 1999/05/12	TITLE FEMALE HOUSING W/LATCH E SEC. LOCK 8 CKT		
		3 PLACES ± ---			CHECKED BY MTESTAGUZZA	DATE 1999/05/12	MOLEX INCORPORATED		
		2 PLACES ± 0.1 1 PLACE ± 0.2 ANGULAR ± 2 °			APPROVED BY RMARTUCCI	DATE 1999/05/12	MATERIAL NO. 94540-7008	DOCUMENT NO. SD-94540-001	SHEET NO. 1 OF 1
DRAFT WHERE APPLICABLE MUST REMAIN WITHIN DIMENSIONS			SIZE A2		THIS DRAWING CONTAINS INFORMATION THAT IS PROPRIETARY TO MOLEX INCORPORATED AND SHOULD NOT BE USED WITHOUT WRITTEN PERMISSION				