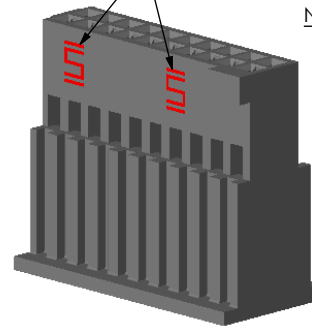
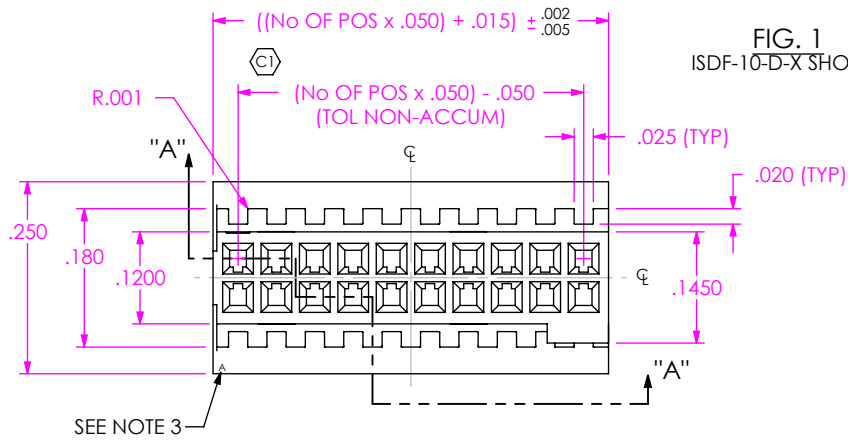


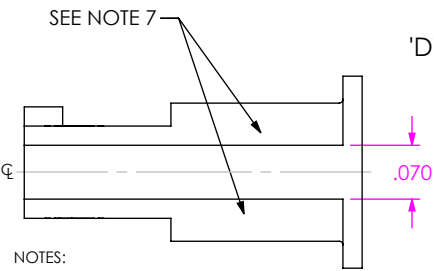
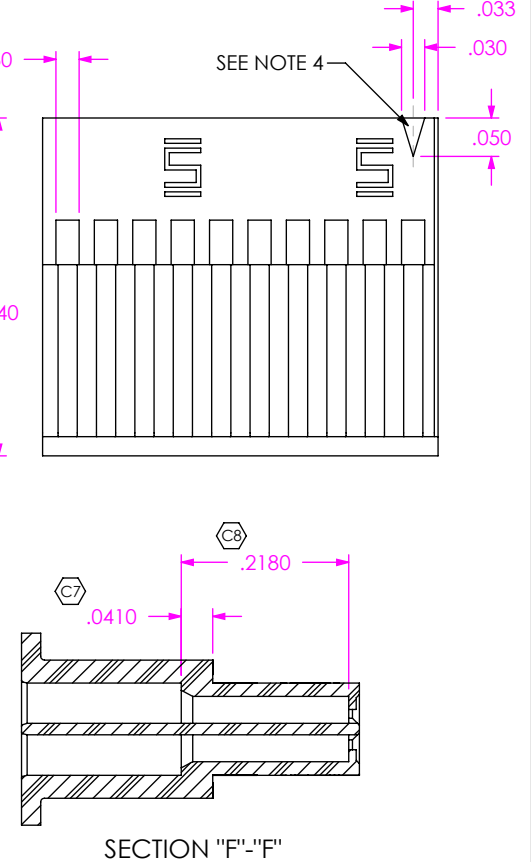
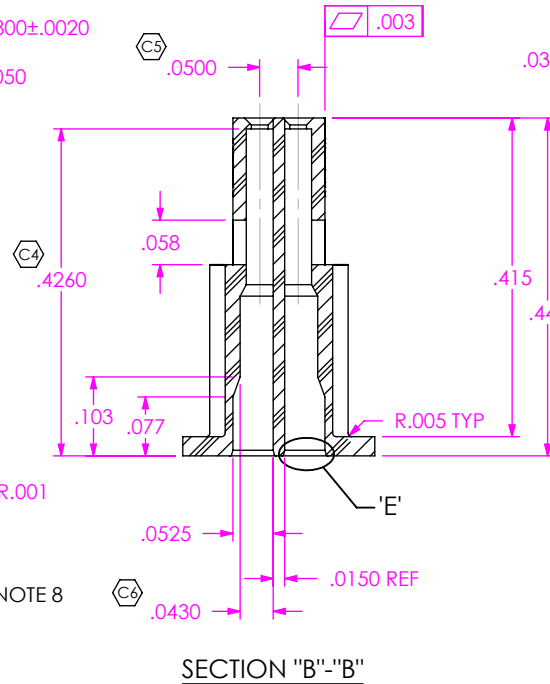
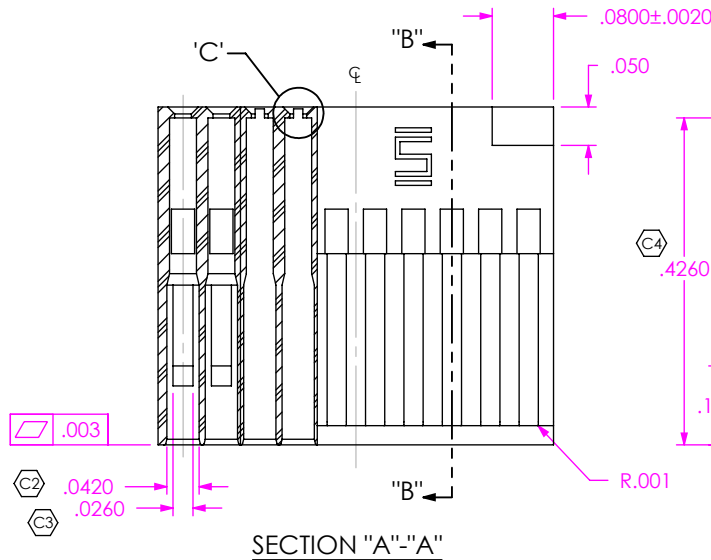
DO NOT SCALE FROM THIS PRINT



ISDF-XX-D-X

No OF POSITIONS  
-02 THRU -50 [K]  
(PER ROW)

NOTCH SPECIFICATION  
LEAVE BLANK: NO NOTCH  
-C: CHAMFER (SEE SHEET 2, FIG 2) (7 POSITION ONLY)  
-L: FRICTION LOCK (SEE SHEET 2, FIG 3) (AVAILABLE ON POS 10 - 30)  
-R: RETENTION LATCH (AVAILABLE ON POS -05 THRU -30) (SEE SHEET 3, FIG 4) (SEE NOTE 11)  
ROW SPECIFICATION  
-D: DOUBLE ROW



NOTES:

1. Ⓢ REPRESENTS A CRITICAL DIMENSION.
2. SAMTEC LOGOS SHALL APPEAR AT LOCATIONS ON SURFACE SHOWN, APPROXIMATELY .075 x .055 (BOTH SIDES).
3. ALL MULTIPLE CAVITY MOLDS SHALL IDENTIFY EACH CAVITY WITH A LETTER DESIGNATION LOCATED WHERE SHOWN.
4. IDENTIFICATION MARKS NOT TO PROTRUDE BEYOND .001 ABOVE THE SURFACE OF THE INSULATOR MATERIAL.
5. MOLDED SURFACES SHALL BE CONSISTENT AND SMOOTH. SURFACES TO BE FREE OF SCATCHES, NICKS, SINK AREAS, VOIDS OR OTHER BLEMISHES.
6. PART TO BE SYMMETRIC ABOUT THE CENTERLINE WITHIN +/- .0015, UNLESS OTHERWISE STATED.
7. GATE PADS MUST BE RECESSED .005.
8. SPECIFIED POSITIONS TO BE IDENTIFIED WHERE SHOWN (NOTE 4 APPLIES).
9. R.005 OPTIONAL.
10. POSITIONS -10 THROUGH -24 WILL HAVE ONLY ONE LATCH LOCK AT DIMENSION SHOWN; POSITIONS -25 THROUGH -30 WILL HAVE TWO LATCH LOCKS AT DIMENSION SHOWN.
11. OPTION NOT FOR SALE. FOR RETENTION LATCH FEATURE, SEE ISDF-XX-D-M PRINT.

UNLESS OTHERWISE SPECIFIED, DIMENSIONS ARE IN INCHES.  
TOLERANCES ARE:  
DECIMALS ANGLES  
.XX: ±.01 [.3] 2°  
.XXX: ±.003 [.08]  
.XXXX: ±.0015 [.038]

PROPRIETARY NOTE

THIS DOCUMENT CONTAINS INFORMATION CONFIDENTIAL AND PROPRIETARY TO SAMTEC, INC. AND SHALL NOT BE REPRODUCED OR TRANSFERRED TO OTHER DOCUMENTS OR DISCLOSED TO OTHERS OR USED FOR ANY PURPOSE OTHER THAN THAT WHICH IT WAS OBTAINED WITHOUT THE EXPRESSED WRITTEN CONSENT OF SAMTEC, INC.

MATERIAL: DO NOT SCALE DRAWING  
VECTRA S475, COLOR: BLACK  
MAX REGRIND: 50%

MAX FLASH ALLOWED: .002  
MAX GATE VESTIGE: .004

F:\DWG\MISC\MKTG\ISDF-XX-D-X-MKT.SLDDRW

SHEET SCALE: 4:1



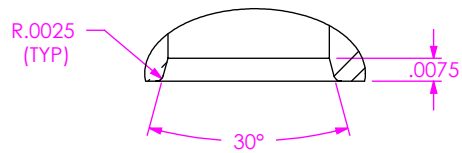
520 PARK EAST BLVD, NEW ALBANY, IN 47150  
PHONE: 812-944-6733 FAX: 812-948-5047  
e-Mail: info@SAMTEC.com code: 55322

DESCRIPTION:  
.050" CL CRIMP WIRE SOCKET INSULATOR  
DWG. NO.

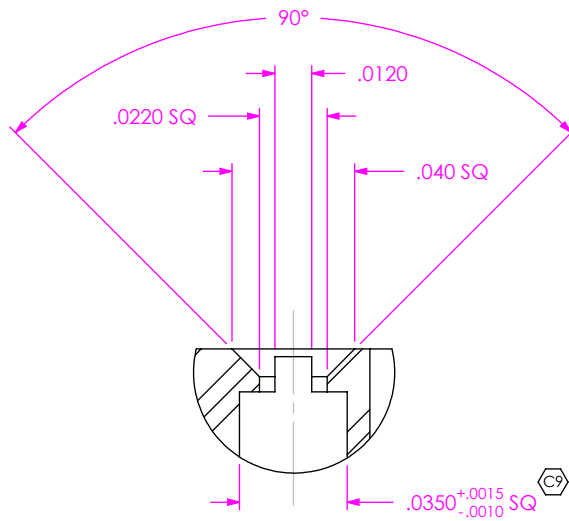
ISDF-XX-D-X

BY: BRATCHER 5/4/2005

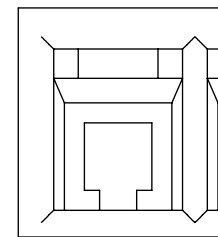
SHEET 1 OF 3



DETAIL 'E'  
SCALE 16:1



DETAIL 'C'  
SCALE 16:1



DETAIL 'D'  
SCALE 16:1

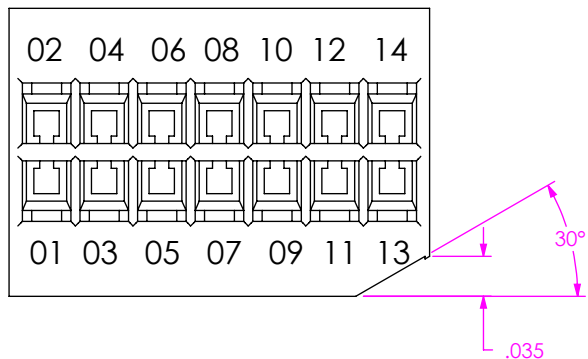


FIG. 2  
ISDF-07-D-C SHOWN  
SAME AS FIG. 1 UNLESS SPECIFIED

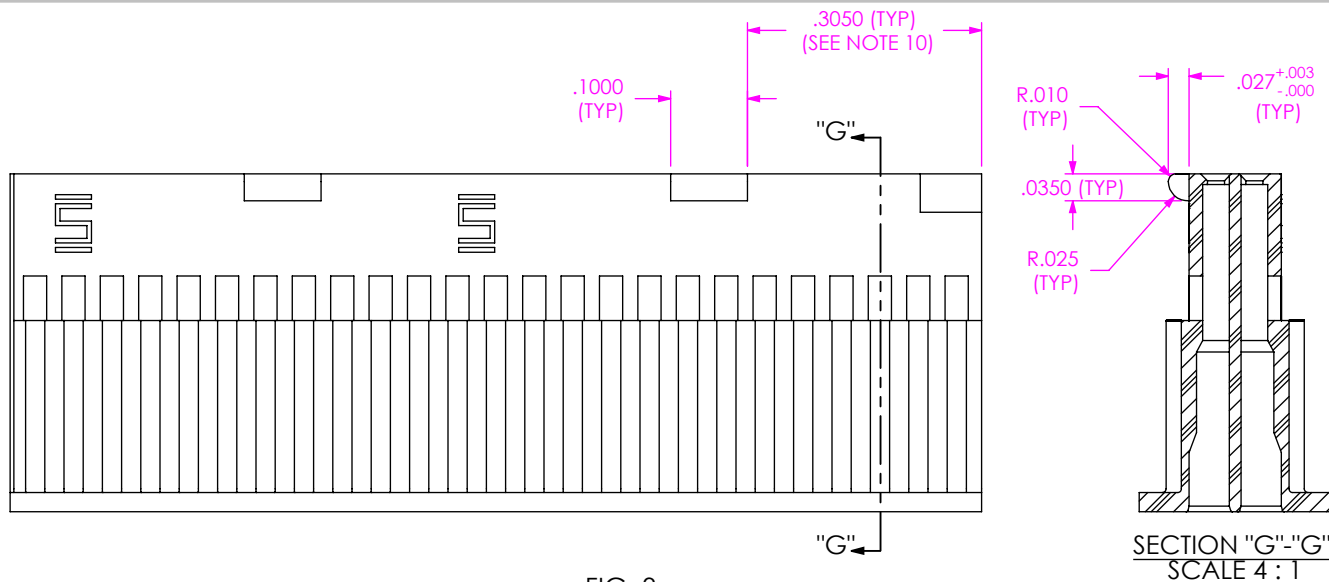


FIG. 3  
ISDF-25-D-L SHOWN  
SAME AS FIG. 1 EXCEPT AS SHOWN

**PROPRIETARY NOTE**  
THIS DOCUMENT CONTAINS INFORMATION CONFIDENTIAL AND PROPRIETARY TO SAMTEC, INC. AND SHALL NOT BE REPRODUCED OR TRANSFERRED TO OTHER DOCUMENTS OR DISCLOSED TO OTHERS OR USED FOR ANY PURPOSE OTHER THAN THAT WHICH IT WAS OBTAINED WITHOUT THE EXPRESSED WRITTEN CONSENT OF SAMTEC, INC.

DO NOT SCALE DRAWING  
SHEET SCALE: 1:0.166667



520 PARK EAST BLVD., NEW ALBANY, IN 47150  
PHONE: 812-944-6733 FAX: 812-948-5047  
e-Mail: info@SAMTEC.com code: 55322

DESCRIPTION:  
.050" CL CRIMP WIRE SOCKET INSULATOR

DWG. NO. ISDF-XX-D-X

BY: BRATCHER 5/4/2005 SHEET 2 OF 3

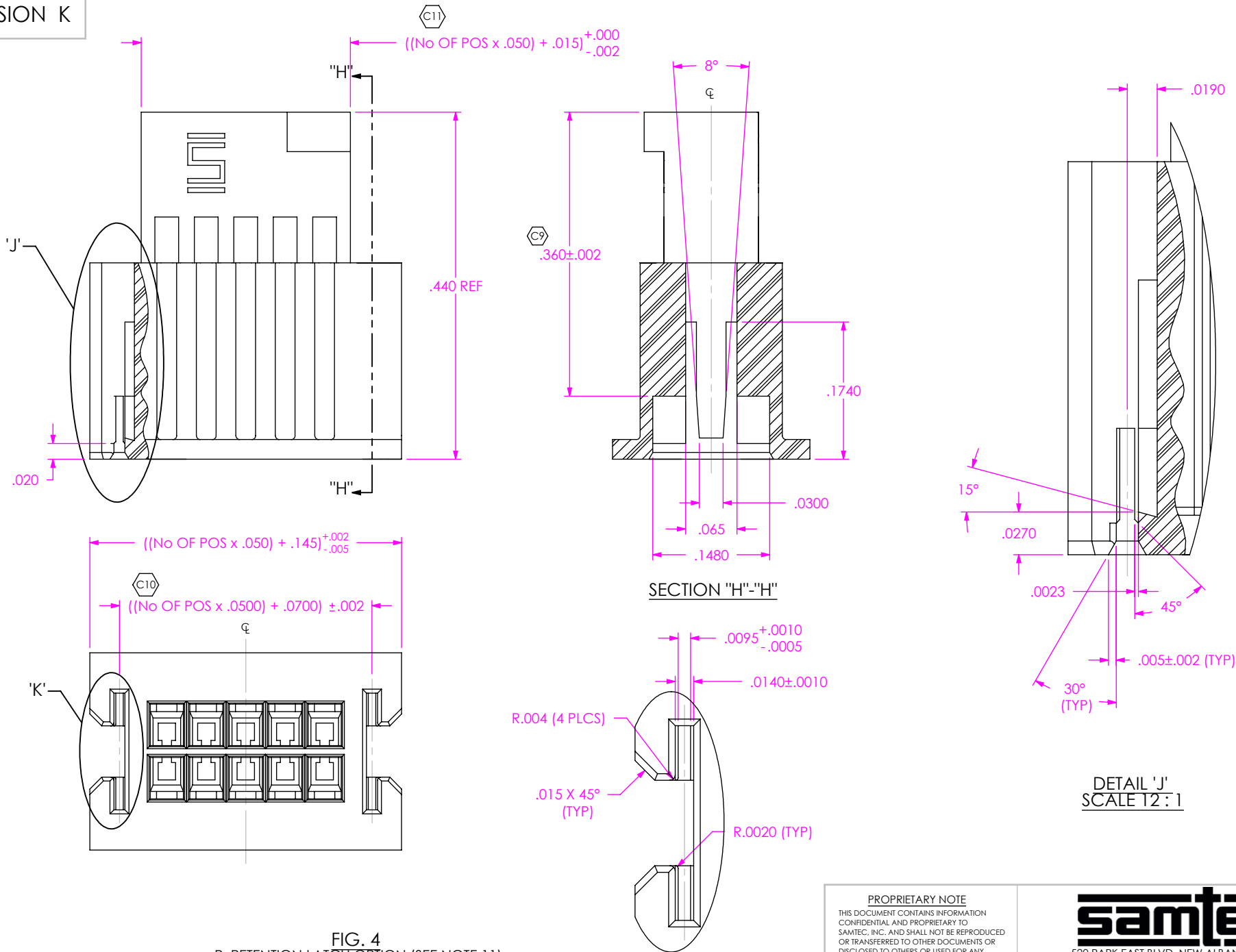


FIG. 4  
 -R: RETENTION LATCH OPTION (SEE NOTE 11)  
 (ISDF-05-D-R SHOWN)  
 (SAME AS FIG. 1 EXCEPT AS SHOWN)

DETAIL 'K'  
 SCALE 10:1

DETAIL 'J'  
 SCALE 12:1

PROPRIETARY NOTE  
 THIS DOCUMENT CONTAINS INFORMATION  
 CONFIDENTIAL AND PROPRIETARY TO  
 SAMTEC, INC. AND SHALL NOT BE REPRODUCED  
 OR TRANSFERRED TO OTHER DOCUMENTS OR  
 DISCLOSED TO OTHERS OR USED FOR ANY  
 PURPOSE OTHER THAN THAT WHICH IT WAS  
 OBTAINED WITHOUT THE EXPRESSED WRITTEN  
 CONSENT OF SAMTEC, INC.

DO NOT SCALE DRAWING

SHEET SCALE: 6:1

**samtec**

520 PARK EAST BLVD, NEW ALBANY, IN 47150  
 PHONE: 812-944-6733 FAX: 812-948-5047  
 e-Mail: info@SAMTEC.com code: 55322

DESCRIPTION:  
 .050" CL CRIMP WIRE SOCKET INSULATOR

DWG. NO.  
**ISDF-XX-D-X**

BY: BRATCHER 5/4/2005

SHEET 3 OF 3