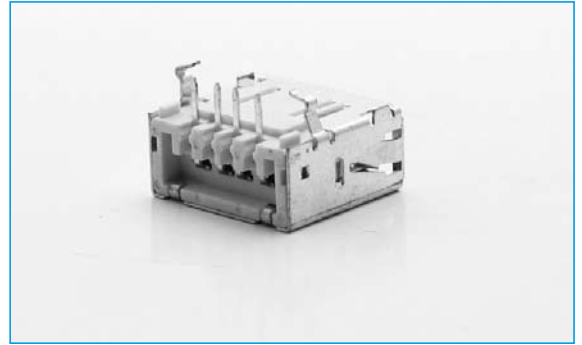


USB 2.0 CONNECTORS

- 4 position single port right angle socket
- PCB Mount
- Contact plating 30 micro inches min

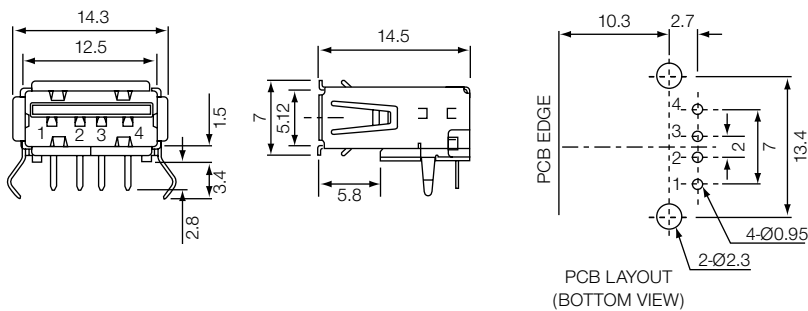
SINGLE PORT PCB-A



SPECIFICATION

Contact Resistance:	30mΩ Max
Insulation Resistance:	1000MΩ min. @500VDC
Rated Voltage and Current:	1.5A @250VAC min
Dielectric withstanding voltage:	500VAC (rms) for 1 minute
Durability:	1500 mating cycles
Insertion Force:	35 Newtons max
Extraction Force:	10 Newtons min
Housing:	PBT UL94V-0
Terminal:	Phosphor Bronze
Plating:	30 micro inches gold
Shell:	Brass

OUTLINE DRAWING



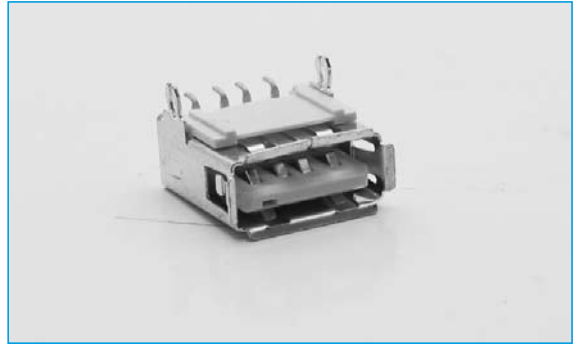
ORDERING INFORMATION

DBC Dubilier Connectors	USB USB	2 Version	A Style	SP Ports	Blank = PCB Mount Mounting Option	B Colour
				SP = Single Port		B = Black W = White

USB 2.0 CONNECTORS

- 4 position single port right angle socket
- Surface mount
- Contact plating 30 micro inches min

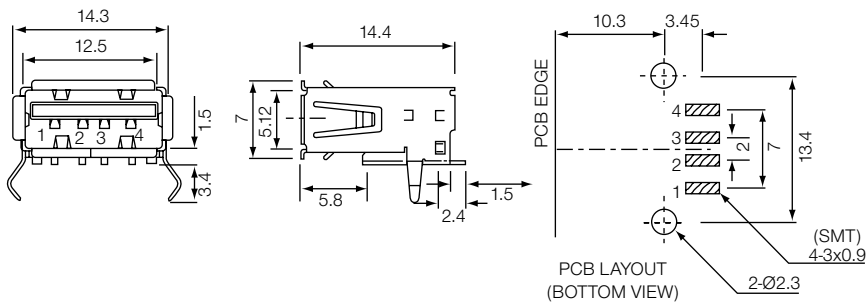
SINGLE PORT SMT-A



SPECIFICATION

Contact Resistance:	30mΩ Max
Insulation Resistance:	1000MΩ min. @500VDC
Rated Voltage and Current:	1.5A @250VAC min
Dielectric withstanding voltage:	500VAC (rms) for 1 minute
Durability:	1500 mating cycles
Insertion Force:	35 Newtons max
Extraction Force:	10 Newtons min
Housing:	Nylon PA9T
Terminal:	Phosphor Bronze
Plating:	30 micro inches gold
Shell:	Brass

OUTLINE DRAWING



ORDERING INFORMATION

DBC	USB	2	A	SP	SMT	W
Dubilier Connectors	USB	Version	Style	Ports	Mounting Option	Colour
				SP = Single Port	SMT = Surface Mount	B = Black W = White

USB 2.0 CONNECTORS

- 4 position single port right angle socket
- PCB Mount
- Contact plating 30 micro inches min

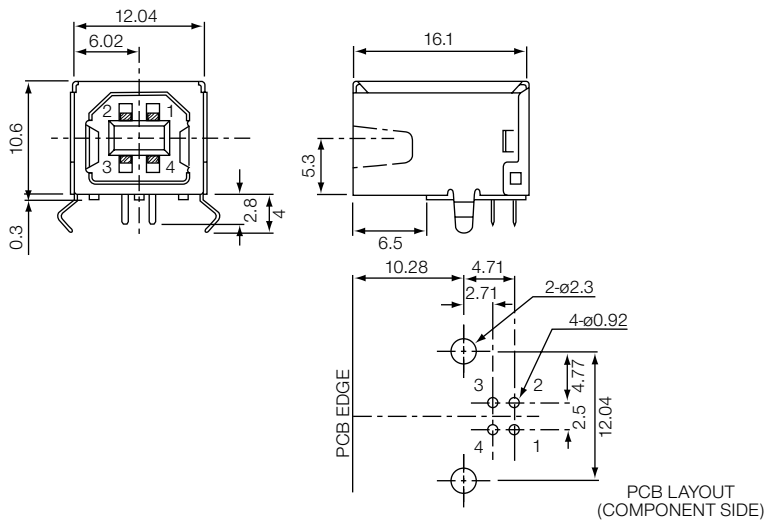
SINGLE PORT PCB-B



SPECIFICATION

Contact Resistance:	30mΩ Max
Insulation Resistance:	1000MΩ min. @500VDC
Rated Voltage and Current:	1.5A @250VAC min
Dielectric withstanding voltage:	500VAC (rms) for 1 minute
Durability:	1500 mating cycles
Insertion Force:	35 Newtons max
Extraction Force:	10 Newtons min
Housing:	PBT UL94V-0
Terminal:	Phosphor Bronze
Plating:	30 micro inches gold
Shell:	Brass

OUTLINE DRAWING



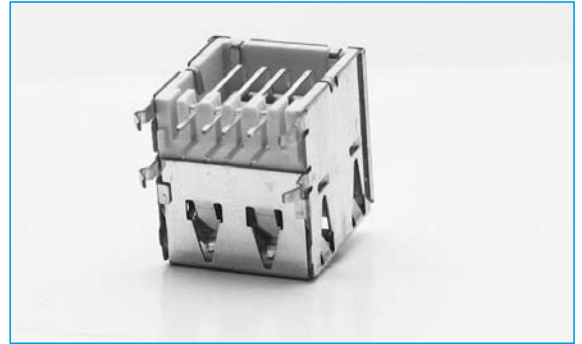
ORDERING INFORMATION

DBC Dubilier Connectors	USB USB	2 Version	B Style	SP Ports	Blank = PCB Mount Mounting Option	W Colour
				SP = Single Port		B = Black W = White

USB 2.0 CONNECTORS

- 4 position dual port right angle socket
- Through hole
- Recommended PCB thickness of 1.57mm
- Contact plating 30 micro inches min

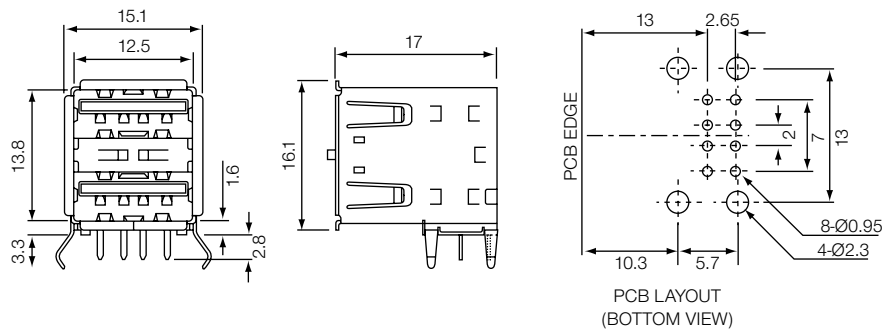
DUAL PORT PCB-A



SPECIFICATION

Contact Resistance:	30mΩ Max
Insulation Resistance:	1000MΩ min. @500VDC
Rated Voltage and Current:	1.5A @250VAC min
Dielectric withstanding voltage:	500VAC (rms) for 1 minute
Durability:	1500 mating cycles
Insertion Force:	35 Newtons max
Extraction Force:	10 Newtons min
Housing:	PBT UL94V-0
Terminal:	Phosphor Bronze
Plating:	30 micro inches gold
Shell:	Brass

OUTLINE DRAWING



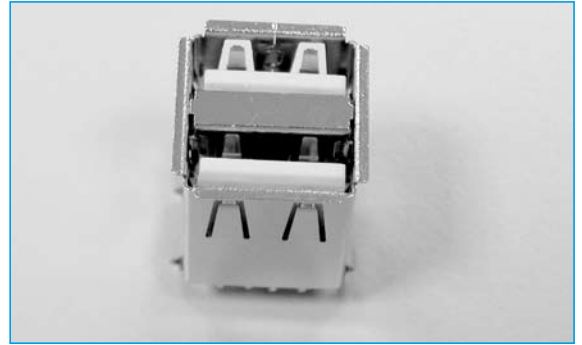
ORDERING INFORMATION

DBC	USB	2	A	DP		B
Dubilier Connectors	USB	Version	Style	Ports	Mounting Option	Colour
				DP = Dual Port	Blank = PCB Mount	B = Black W = White

USB 2.0 CONNECTORS

- 4 position dual port top entry socket
- Through hole
- Contact plating 30 micro inches min

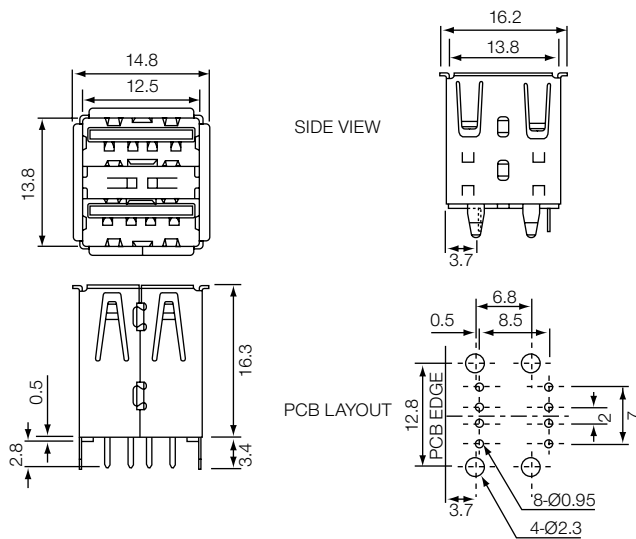
DUAL PORT PCB-A (T)



SPECIFICATION

Contact Resistance:	30mΩ Max
Insulation Resistance:	1000MΩ min. @500VDC
Rated Voltage and Current:	1.5A @250VAC min
Dielectric withstanding voltage:	500VAC (rms) for 1 minute
Durability:	1500 mating cycles
Insertion Force:	35 Newtons max
Extraction Force:	10 Newtons min
Housing:	PBT UL94V-0
Terminal:	Phosphor Bronze
Plating:	30 micro inches gold
Shell:	Brass

OUTLINE DRAWING



ORDERING INFORMATION

DBC	USB	2	A	DP	T	B
Dubilier Connectors	USB	Version	Style	Ports	Mounting Option	Colour
				DP = Dual Port	T = Top Entry	B = Black W = White