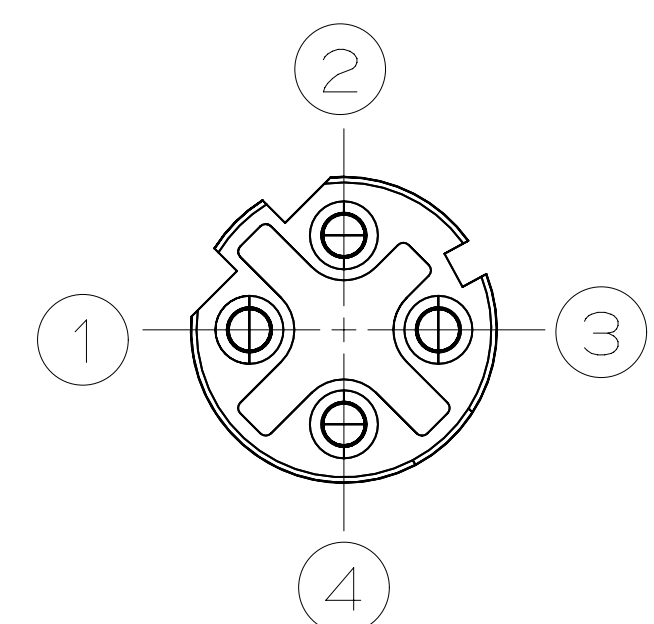
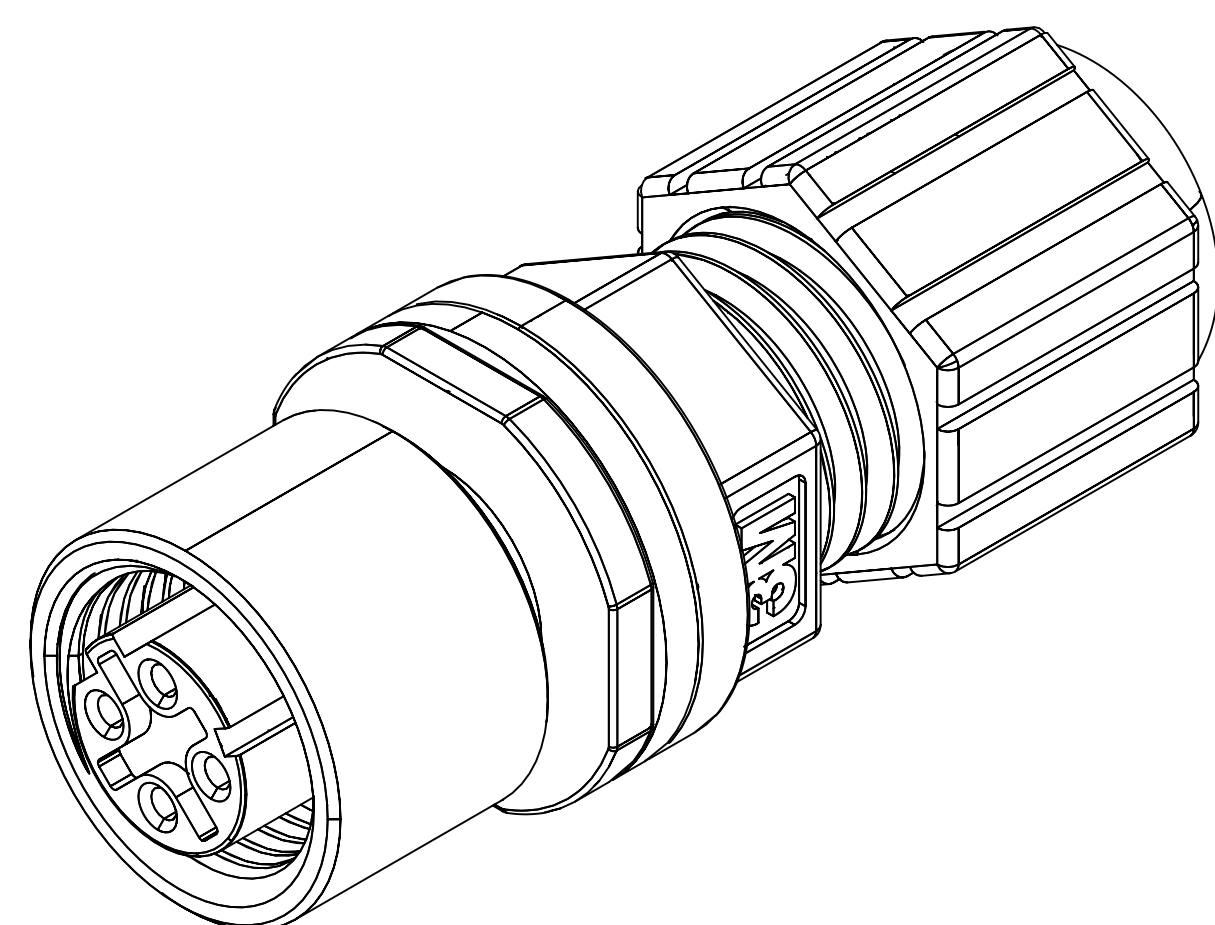
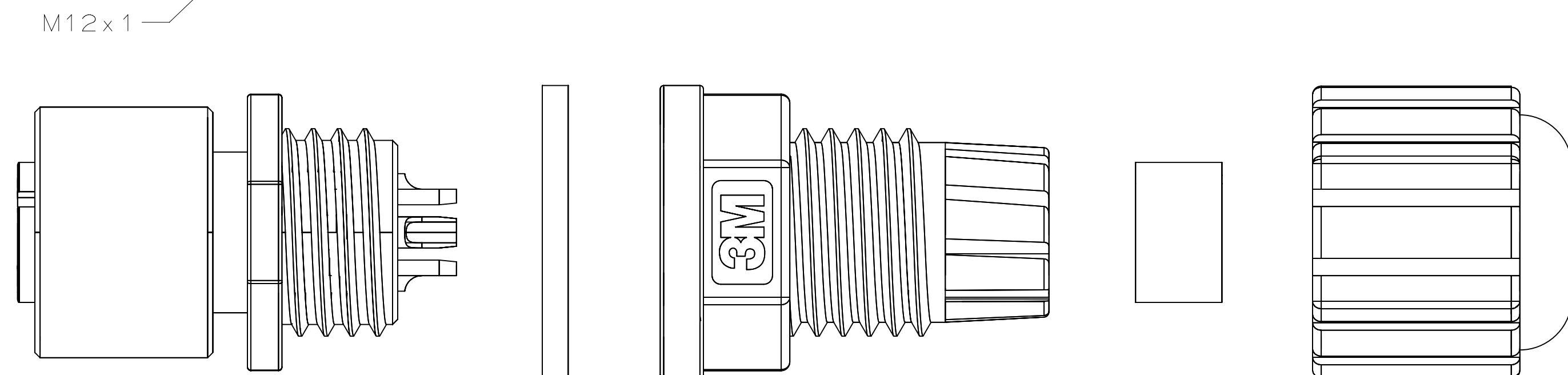
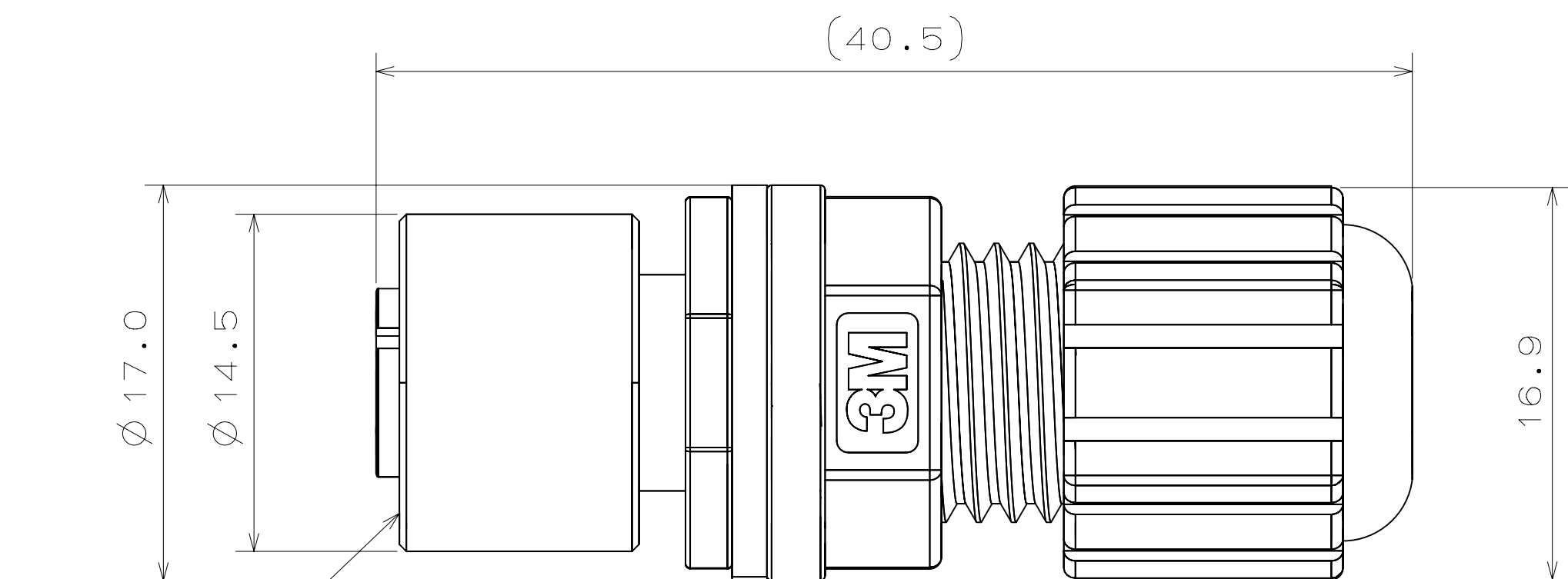


3M™ INDUSTRIAL M12 WM CONNECTOR

FOR 4POS, D-CODE, FEMALE, SOLDER TYPE



Pin Assignment

PERFORMANCE

1) MECHANICAL
POLARIZING METHOD: 35N MIN.

CONTACT INSERTION FORCE: 10N/pin MAX.
CONTACT WITHDRAWL FORCE: 15N/pin MAX.

WATERPROOF: IP68 (IN WATER 1mm DEPTH, 24H)

2) ELECTRICAL
CURRENT RATING: 4.0A

VOLTAGE RATING: 250VDC

WITHSTANDING VOLTAGE: 1000VACrms

INSULATION RESISTANCE: 1×10^9 OHMS at 500VDC

CONTACT RESISTANCE:
10 MILLI OHM AT INITIAL CONDITION
DELTA R 15 MILLI OHM MAX. AFTER
EVALUATION TEST BASED ON 78-5102-0151-6

3) ENVIRONMENTAL
TEMPERATURE RATING: -25°C TO 85°C

NOTE
FOR LOW TEMPERATURE LIMIT:
EXCLUDING CABLE PERFORMANCE NO DEW CONDITION
FOR HIGH TEMPERATURE LIMIT:
INCLUDING TEMPERATURE RAISING BY CURRENT

NOTES

- MATERIAL:
BODY: THERMOPLASTIC, UL 94V0
COVER: THERMOPLASTIC, UL 94V0
GLAND NUT:
THERMOPLASTIC, UL 94V0
CONTACT: COPPER ALLOY
- PLATING
CONTACT AREA: 0.2µm GOLD MIN.
- MATED WITH INDUSTRIAL M12 MALE CONNECTOR
- COMPATIBLE CABLE:
1) WIRE
AWG 20 STRANDED
AWG 24 STRANDED
2) CABLE OUTER DIAMETER
4.0 to 6.5mm
- RoHS COMPLIANT.
SEE THE REGULATORY
INFORMATION APPENDIX (RIA)
IN THE "RoHS COMPLIANCE"
SECTION OF
WWW.3MCONNECTORS.COM FOR
COMPLIANCE INFORMATION
(RIA E1 & C1 APPLY).
- FOR PRODUCT SPECIFICATIONS
AND WARRANTY INFORMATION
SEE 3M 78-5102-0151-6
- IN THE EVENT OF CONFLICT
BETWEEN THIS DATA AND
THAT CONTAINED IN THE
PRODUCT SPECIFICATION,
THE PRODUCT SPECIFICATION
TAKES PRECEDENT.

ORDERING INFORMATION M12 WM CONNECTOR

3N3 04-D000-S08 BF

PRODUCTION SERIES
3N3: INDUSTRIAL M12 WM
FEMALE CONNECTOR

PLATING SUFFIX
BF: CONTACT AREA 0.2µm GOLD

CONTACT QUANTITY
04: 4 PIN

IP CLASS
8: IP68

CODE
D: D CODE

WIRING METHOD
S: SOLDER TYPE

3M™ ELECTRONIC SOLUTIONS DIVISION
INTERCONNECT SOLUTIONS
VISIT <http://www.3mconnectors.com>

3M IS A TRADEMARK OF 3M COMPANY.
FOR TECHNICAL, SALES OR ORDERING INFORMATION
CALL YOUR LOCAL SALES REPRESENTATIVE

DESIGN REFERENCE	NEXT ASSEMBLY	REV	ECO	ISSUE DATE AND DESCRIPTION	DRFT	CHKD
				SEP 06, 2012 PRODUCTION RELEASE	T.O	H.K
<small>DISTRICT CODES</small> <small>DATE</small> SEP 06, 2012 <small>CHKD</small> T. OHTA <small>DATE</small> SEP 06, 2012 <small>APPV</small> H. KOSUGI <small>DATE</small> SEP 06, 2012		<small>DIVISION</small> Interconnect Solutions <small>DIVISION CODE</small> ISD <small>DO NOT SCALE DRAWING</small> <small>SCALE</small> — <small>TOLERANCES EXCEPT AS NOTED</small> <small>INCHES</small> <small>THIRD ANGLE PROJECTION</small> <small>INTERPRET PER ASME Y14.5 - 1994</small> <small>MILLIMETERS</small> <small>MAX SURFACE ROUGHNESS</small> <small>DTX SURFACES</small> <small>MARKED ONLY</small>				
<small>3M</small> Center St. Paul, MN 55144 <small>© 3M COPYRIGHT 2012</small> <small>This document and the information it contains are 3M property and may not be reproduced or further distributed without 3M permission, or used or disclosed other than for 3M authorized purposes. All rights reserved.</small>		<small>TITLE</small> INDUSTRIAL M12 WIRE MOUNT, FOR D-CODE, FEMALE, SOLDER TYPE <small>CAGE NUMBER</small> D 78-5100-2558-4 <small>SIZE</small> 13 <small>DRAWING NO.</small> 78-5100-2558-4 <small>REV.</small> A <small>MODEL</small>				
<small>DEF</small> <input type="checkbox"/> YES <input checked="" type="checkbox"/> NO <small>SHT</small> 1 OF 1						

78-5100-2558-4
DRAWING NUMBER