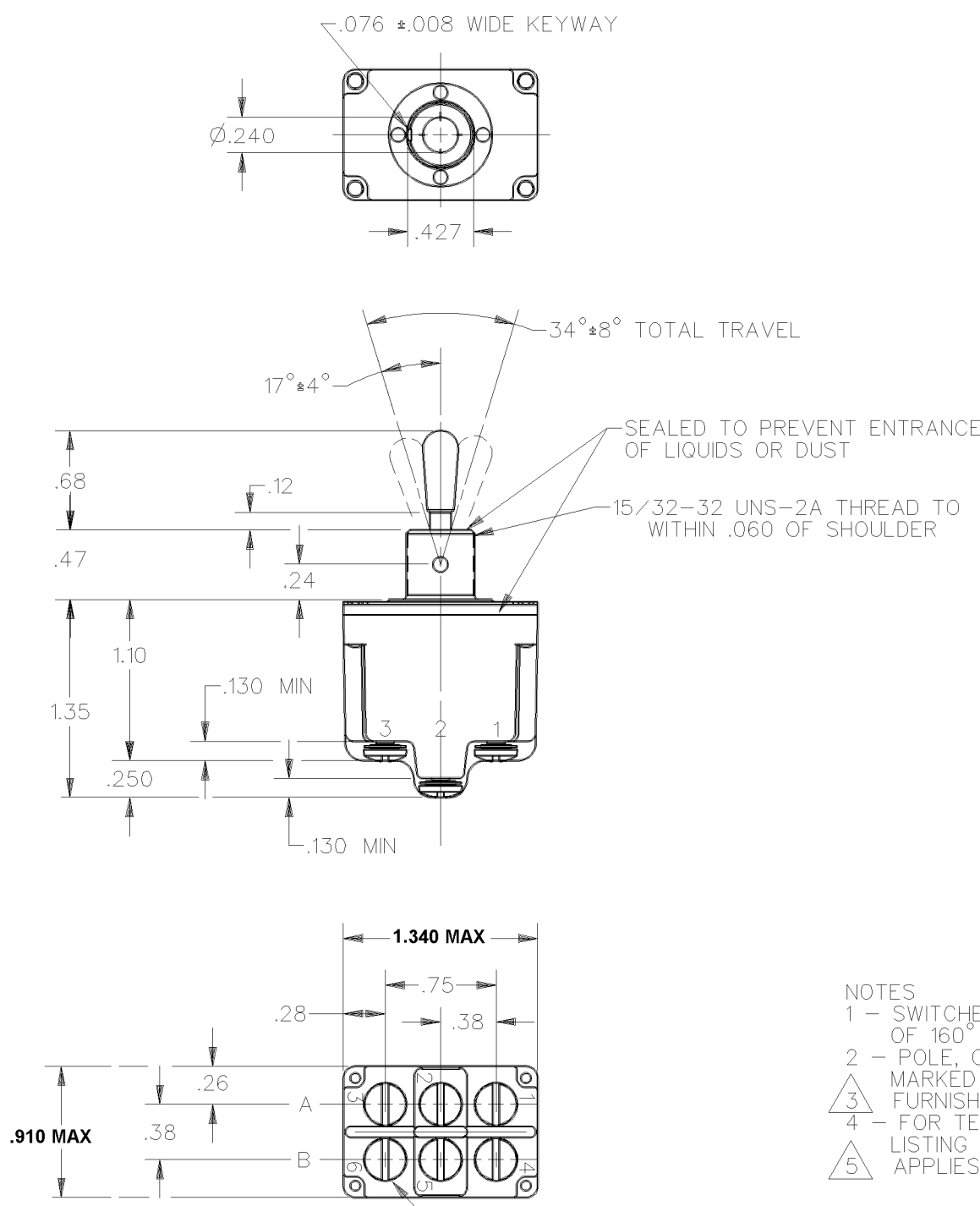


SWITCH-TOGGLE

CATALOG LISTING
2TL111 SERIES
CHART 1

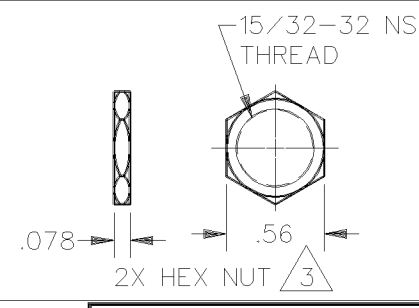
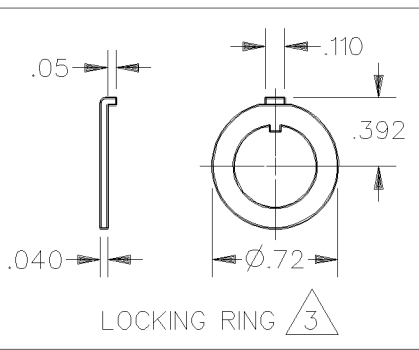
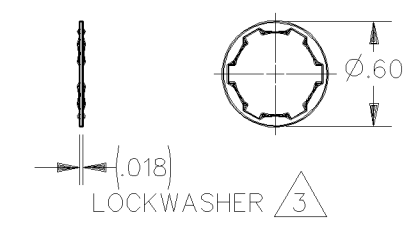
THIS DRAWING COVERS A PROPRIETARY ITEM AND IS THE PROPERTY OF MICRO SWITCH, A DIVISION OF HONEYWELL. THIS DRAWING IS NOT TO BE COPIED OR USED WITHOUT THE APPROVAL OF MICRO SWITCH

CATALOG LISTING
2TL111 SERIES
CHART 1
 RELEASE NO. PR-20520
 REPLACES
M
 ISSUE
4
 REVISIONS
 A PR-20520
 TSM
 2 MAR 93
 B CO-78047
 TSM
 12 AUG 94
C 0003011
 KRB
 05 FEB 04
 MDM
 06 FEB 04
 CHECK
 03 MAR 93
 S.A.V.
 2 MAR 93
 CHECK
 02 MAR 93
 T.S.M.
 DRAWN
 DDM/CAD



CATALOG LISTING	CIRCUIT MADE WITH TOGGLE LEVER IN		
	KEYWAY SIDE (1-2, 4-5)	CENTER (1-2) (4-5)	OPPOSITE KEYWAY (2-3, 5-6)
2TL111-1	ON	OFF	ON
2TL111-2	OFF	NONE	ON
2TL111-3	ON	NONE	ON
2TL111-21	NONE	OFF	ON
2TL111-31	NONE	ON	ON
2TL111-4	MOM OFF	NONE	ON
2TL111-5	MOM ON	OFF	ON
2TL111-6	MOM ON	NONE	OFF
2TL111-7	MOM ON	OFF	MOM ON
2TL111-8	MOM ON	NONE	ON
2TL111-51	NONE	ON	MOM ON
2TL111-61	MOM ON	OFF	NONE
2TL111-82	ON	NONE	MOM ON

CURRENT CAPACITY (AMPS)								
RESISTIVE LOAD				LAMP LOAD		INDUCTIVE LOAD		
DC VOLTS	AC VOLTS	DC VOLTS	AC VOLTS	VDC	VAC	VDC	VAC	
28	125	250	125	250	28	125	28	125
20	.75	.5	15	6	7	4	15	15
18	.75	.5	11	6	5	2	10	8



- NOTES
- SWITCHES ARE CAPABLE OF WITHSTANDING A TEMPERATURE OF 160° F CONTINUOUSLY AT FULL RATED LOAD
 - POLE, CIRCUIT DESIGNATION AND MICRO SWITCH CATALOG LISTING MARKED ON SIDE OF SWITCH
 - FURNISHED UNASSEMBLED
 - FOR TERMINAL COVER, SEE MICRO SWITCH CATALOG LISTING 5PA8
 - APPLIES ONLY TO "ON" AND "MOMENTARY ON" POSITIONS

6-32 UNC X (.260) PAN HEAD
TERMINAL SCREW WITH SPRING
LOCKWASHER AND WASHER (SEMS)
ONE PER TERMINAL $\triangle 3$

THIRD ANGLE PROJECTION

SCALE FULL

DO NOT SCALE PRINT

UNLESS OTHERWISE SPECIFIED TOLERANCES ARE

ONE PLACE	(.0)	±.030
TWO PLACE	(.00)	±.015
THREE PLACE	(.000)	±.005
ANGLES		±
WEIGHT	.12 LBS	APPROX