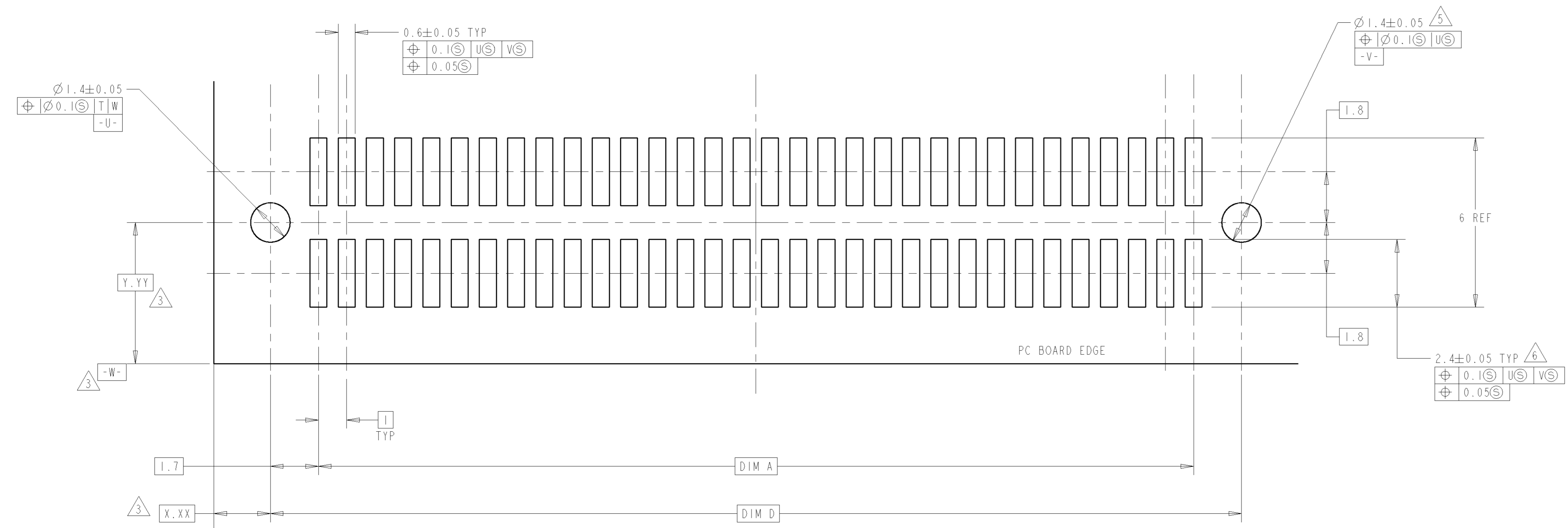
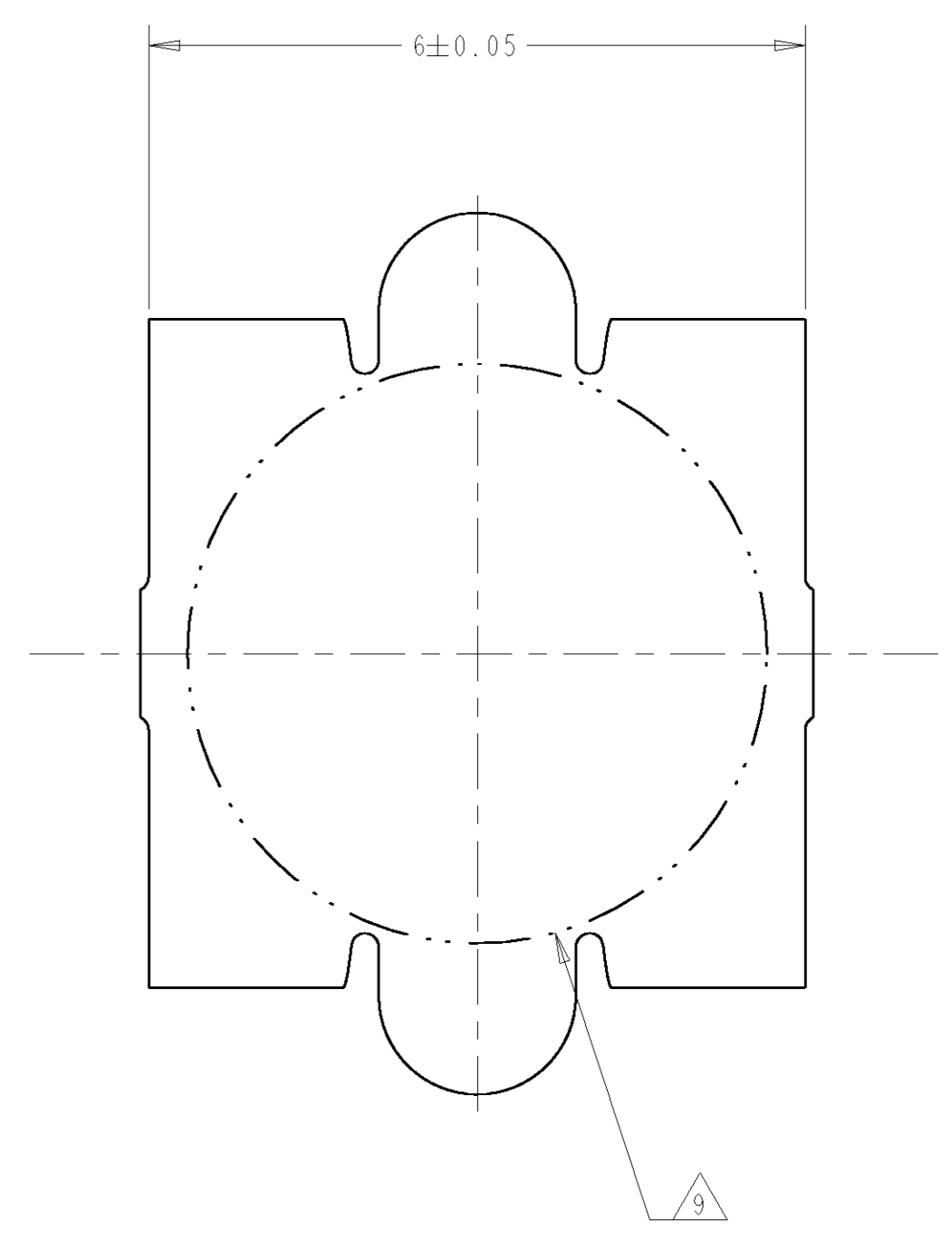
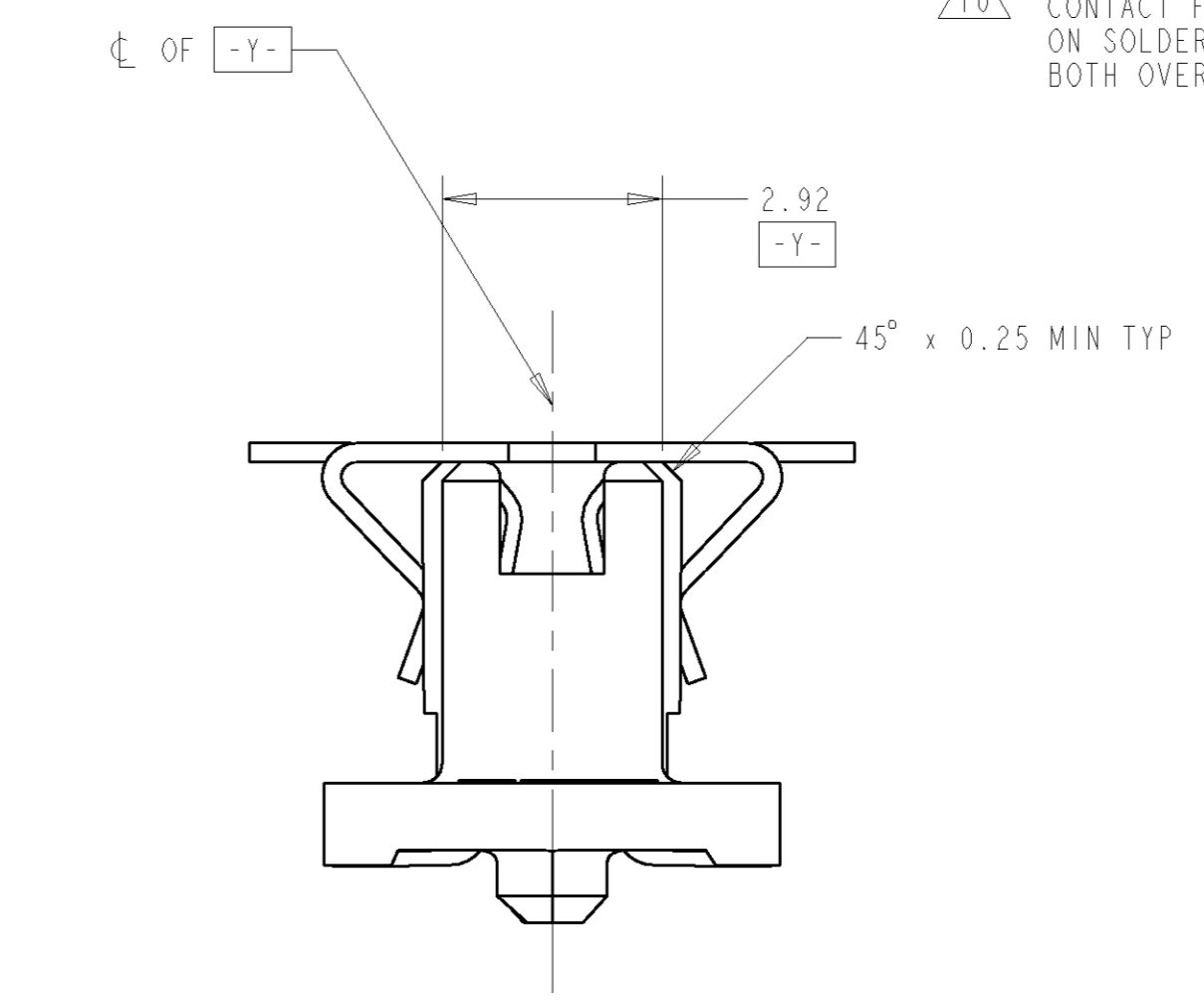
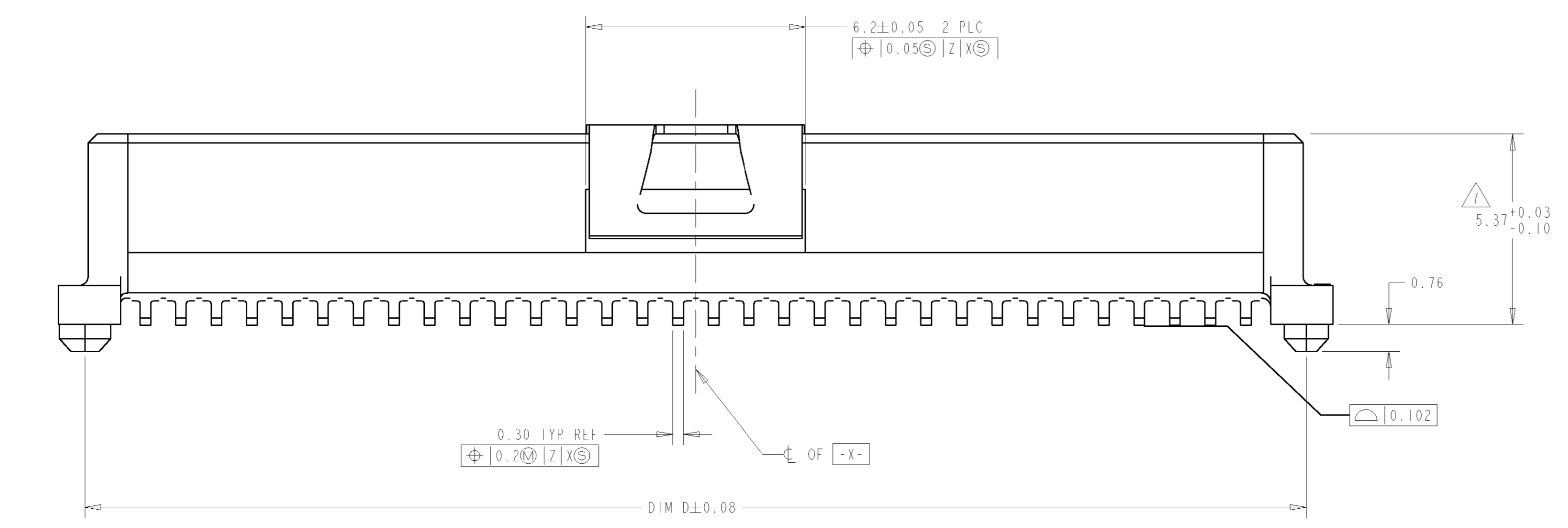
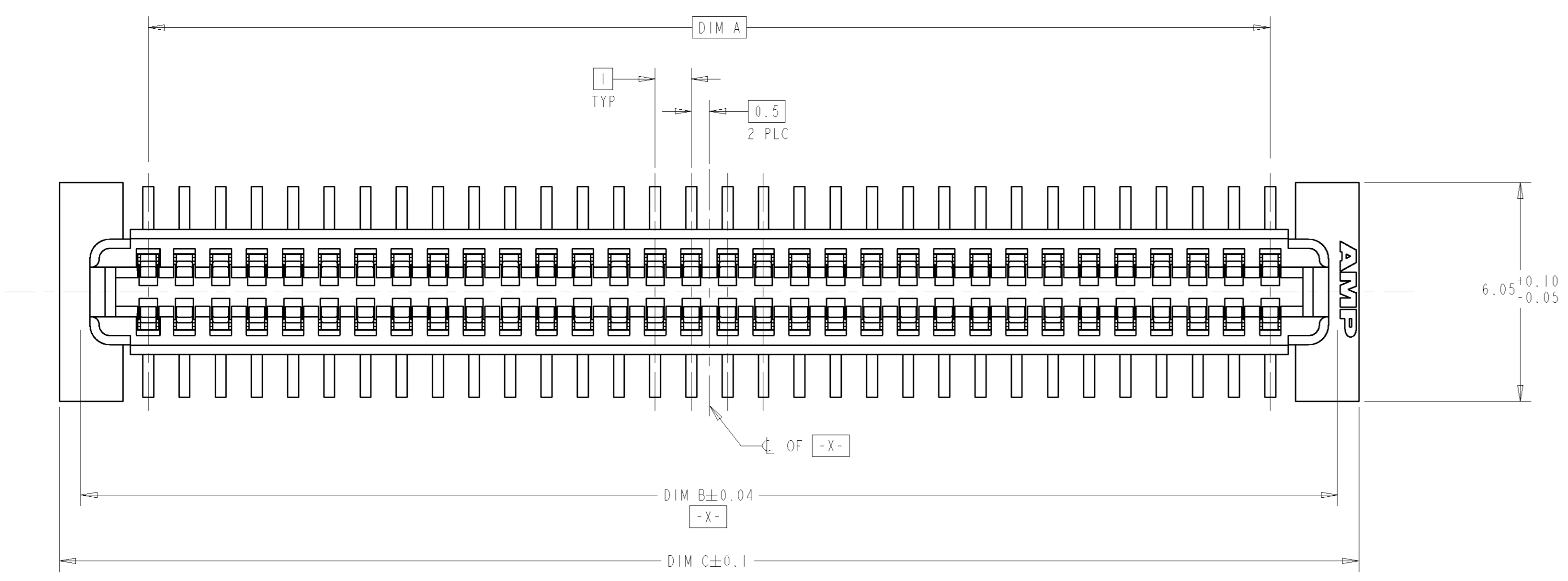


LOC	QTY	REV	DATE	BY	APPD
AD	00	0	REV PER EC 0512-0235-04	JOSEF2004	BC RW

- 1 HOUSING MATERIAL: HIGH TEMPERATURE THERMOPLASTIC, COLOR: BLACK. CONTACT MATERIAL: PHOSPHOR BRONZE.
- 2 CONTACT FINISH: 0.00381 MINIMUM MATTE TIN PER ASTM B 545 ON SOLDER AREA. 0.00076 MINIMUM GOLD PER ASTM B 488 ON MATING AREA. BOTH OVER 0.00127 MINIMUM NICKEL PER SAE-AMS-QQ-N-290 ON ENTIRE CONTACT.
- 3 DATUM LOCATIONS AND BASIC DIMENSIONS TO BE ESTABLISHED BY THE CUSTOMER. CONSULT AMP ENGINEERING WHEN PLACING MULTIPLE CONNECTORS ON A PC BOARD.
- 4 PACKAGED IN TAPE ON REEL PER EIA-481.
- 5 1.5±0.05 DIAMETER HOLE SHOULD BE USED IF PLACED ON PCB WITH VACUUM PLACEMENT EQUIPMENT.
- 6 SHORTER SOLDER LANDS MAY BE USED PER EIA 700AAAB, HOWEVER 2.4 LENGTH ASSURES OPTIMUM SOLDER FILLET REGARDLESS OF MANUFACTURER OF CONNECTOR.
- 7 REFERRED TO AS DIM H = 5.30±0.1 IN EIA 700AAAB SPECIFICATION.
- 8 VACUUM COVER NOT SHOWN IN SOME VIEWS FOR CLARITY.
- 9 5.5 MIN DIAMETER TARGET AREA FOR VACUUM PICK-UP.
- 10 CONTACT FINISH: 0.00381 MINIMUM MATTE TIN PER ASTM B 545 ON SOLDER AREA. 0.00127 MINIMUM GOLD PER ASTM B 488 ON MATING AREA. BOTH OVER 0.00127 MINIMUM NICKEL PER SAE-AMS-QQ-N-290 ON ENTIRE CONTACT.



FINISH	DIM D	DIM C	DIM B	DIM A	MATING CONNECTORS	STACK HEIGHTS	POS	PART NUMBER
10	44.4	45.9	44.22	41	5120527-2	10	84	1-5146893-2
10	44.4	45.9	44.22	41	5120526-2	9	84	1-5146893-2
10	44.4	45.9	44.22	41	5120525-2	8	84	1-5146893-2
10	34.4	35.9	34.22	31	5120527-1	10	64	1-5146893-1
10	34.4	35.9	34.22	31	5120526-1	9	64	1-5146893-1
10	34.4	35.9	34.22	31	5120525-1	8	64	1-5146893-1
2	44.4	45.9	44.22	41	5120527-2	10	84	5146893-2
2	44.4	45.9	44.22	41	5120526-2	9	84	5146893-2
2	44.4	45.9	44.22	41	5120525-2	8	84	5146893-2
2	34.4	35.9	34.22	31	5120527-1	10	64	5146893-1
2	34.4	35.9	34.22	31	5120526-1	9	64	5146893-1
2	34.4	35.9	34.22	31	5120525-1	8	64	5146893-1

THIS IS A CUSTOMER DRAWING. IT IS THE CUSTOMER'S RESPONSIBILITY TO VERIFY THE DIMENSIONS AND TOLERANCES OF THE PARTS AND TO CONTACT THE CUSTOMER SERVICE DEPARTMENT FOR ANY CHANGES TO THE DRAWING.

DIMENSIONS: mm	TOLERANCES UNLESS OTHERWISE SPECIFIED:	DRAWN BY: CARBO	30SEP04		Tyco Electronics
9 PLC ±	1 PLC ±0.03	ENG: R. WERTZ	30SEP04		Harrisburg, PA 17105-3608
3 PLC ±0.003	4 PLC ±	APPROVED BY: R. WERTZ	30SEP04	PRODUCT SPEC	RECEPTACLE ASSY, W/ VACUUM COVER, 1.0mm FH (IEEE 1386) CONNECTOR
ANGLES ±	FINISH ±	APPROVED BY: R. WERTZ	30SEP04	APPLICATION SPEC	502-1079
				114-25045	SIZE: 00779
					CAGE CODE: 5146893
					RESTRICTED TO: -
					SCALE: 10:1
					SHEET 1 OF 1
					REV 0