

MICRO SWITCH

A DIVISION OF MILWAUKEE POLYS-HONEYWELL REGULATOR COMPANY
 FREEPORT, ILLINOIS

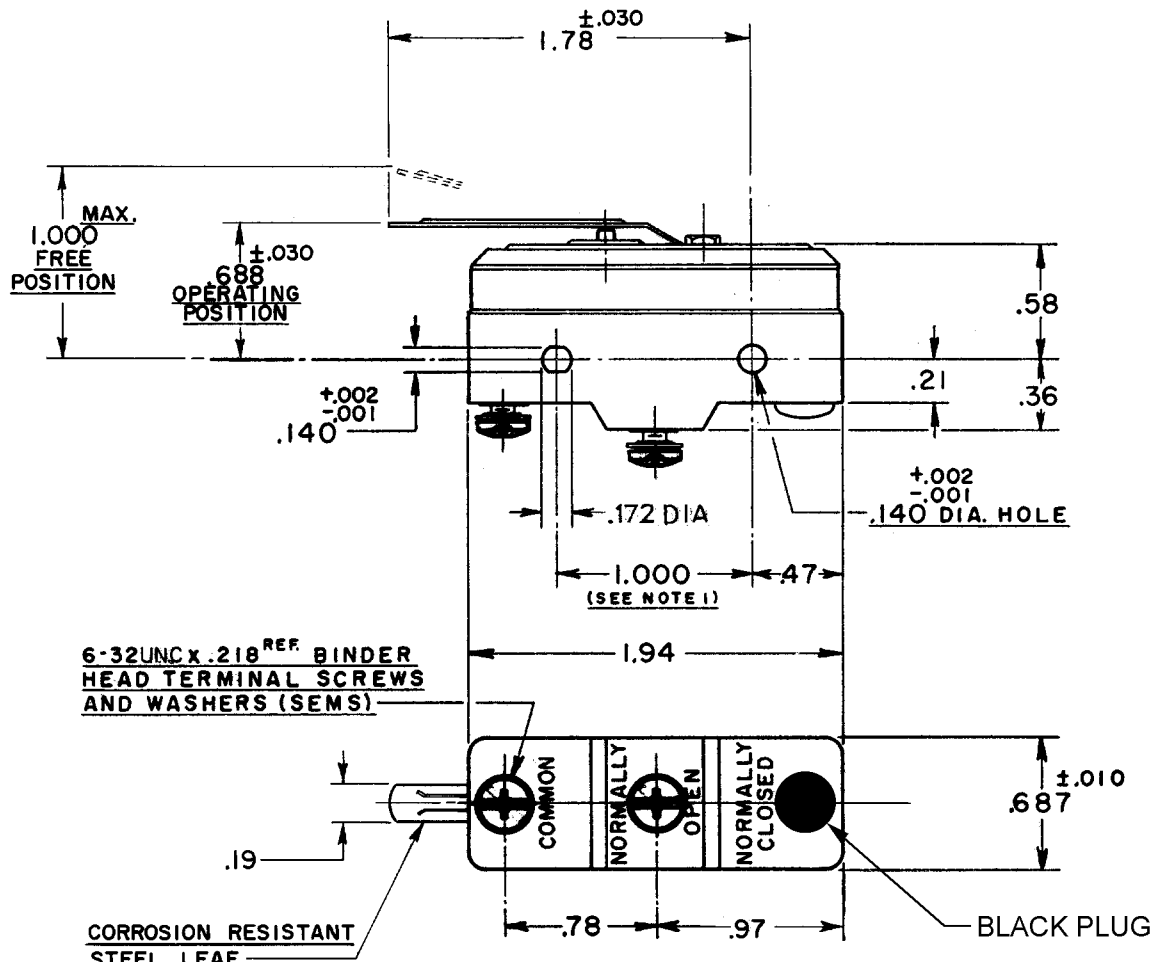
SWITCH - BASIC

CATALOG LISTING

YA-2RL-A6

ADK8500

YA-2RL-A6
 PAGE 1 OF 1
M
 DRAWING NUMBER
 7
 ISSUE
 17 FEB 06
 RELEASE NO. CO 8520
 REPLACES
 RJ
 CHECK
 56
 APR. 56
 C.V.T.
 2 APR. 56
 CHECK
 56
 APR. 56
 G.C.H.
 3 APR. 56
 CHECK
 56
 MAR
 R.E.R.
 28 MAR
 DRAWN
 RASTER
 74-96



NOTE -
 1 - MOUNTING HOLES WILL ACCEPT PINS OR SCREWS OF .139 MAX. DIA. ON 1.000±.002 CENTERS.

THIS DRAWING COVERS A PROPRIETARY ITEM AND IS THE PROPERTY OF MICRO SWITCH, A DIVISION OF HONEYWELL. THIS DRAWING IS NOT TO BE COPIED OR USED WITHOUT THE APPROVAL OF MICRO SWITCH.

CHARACTERISTICS	
OPERATING FORCE	----- 9 OZ. MAX.
RELEASE FORCE	----- 1 OZ. MIN.
DIFFERENTIAL TRAVEL	----- .065 MAX.
OVERTRAVEL	----- DO NOT OVERTRAVEL MORE THAN .060

ELECTRICAL DATA	
CONTACT ARRANGEMENT	BREAK DISTANCE
S. P. N. O.	.020 MIN.
L23	20A 125, 250 OR 480 VAC 10A 125 VAC "L"
L288	1HP 125 VAC, 2HP 250 VAC
L308	1/2A 125 VDC, 1/4A 250 VDC
L315	20(3)A 250V ~ T85 5E4

SCALE FULL	
DO NOT SCALE PRINT	
UNLESS OTHERWISE SPECIFIED	
DIMENSIONS ARE IN INCHES	
TOLERANCES ARE:	
ONE PLACE (.0)	±.030
TWO PLACE (.00)	±.015
THREE PLACE (.000)	±.005
ANGLES	±
WEIGHT .063 LB.	