

USB INTERFACES

USB-B, USBR-B, USBC SERIES

SPECIFICATIONS

For complete specifications and recommended PCB layouts see www.samtec.com?USB-B or www.samtec.com?USBR-B

Insulator Material:

High Temperature Thermoplastic
Contact Material: Phosphor Bronze
Shell Material: Steel



Plating:

Gold on Contacts, Nickel on Shell, Tin on Tails

Operating Temp Range: -50°C to +85°C
Current Rating: 1 A per contact

Voltage Rating: 30 VAC

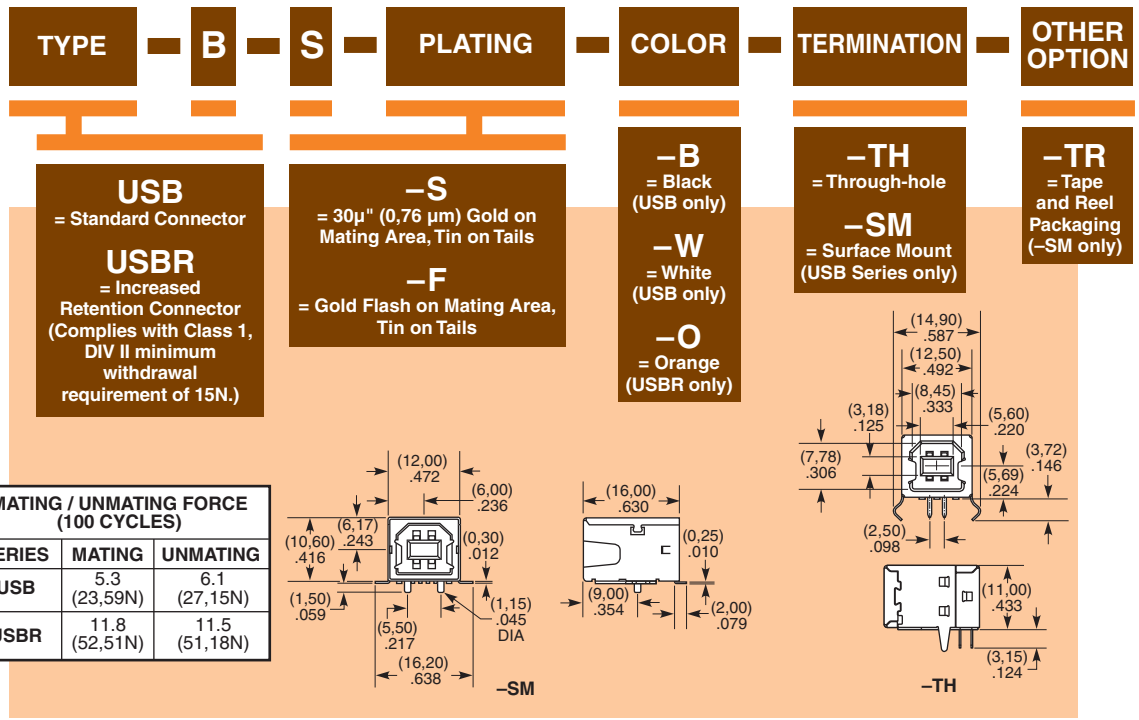
Contact Resistance: 30 mΩ max

Cycles: 1500 (maximum number of cycles tested)

Packaging: Packaged and shipped in Bulk Packaging Trays; Trays suitable for automation are available upon request.

RoHS Compliant: Yes
Lead-Free Solderable: USB-SM=Yes
 USB-SM=Yes
 USB-SM=Yes
 USB-SM=Yes

Wave Solder only
USBR=Yes (Wave Solder only)



SPECIFICATIONS

For complete specifications see www.samtec.com?USBC

Insulator Material:

Glass Filled Thermoplastic
Contact Material: Copper Alloy

Shell Material: Cold Rolled Steel (0,30mm) .012" thickness)

Plating:

Gold on Contacts, Nickel on Shell, Tin on Tails

Operating Temp Range: 0°C to +40°C

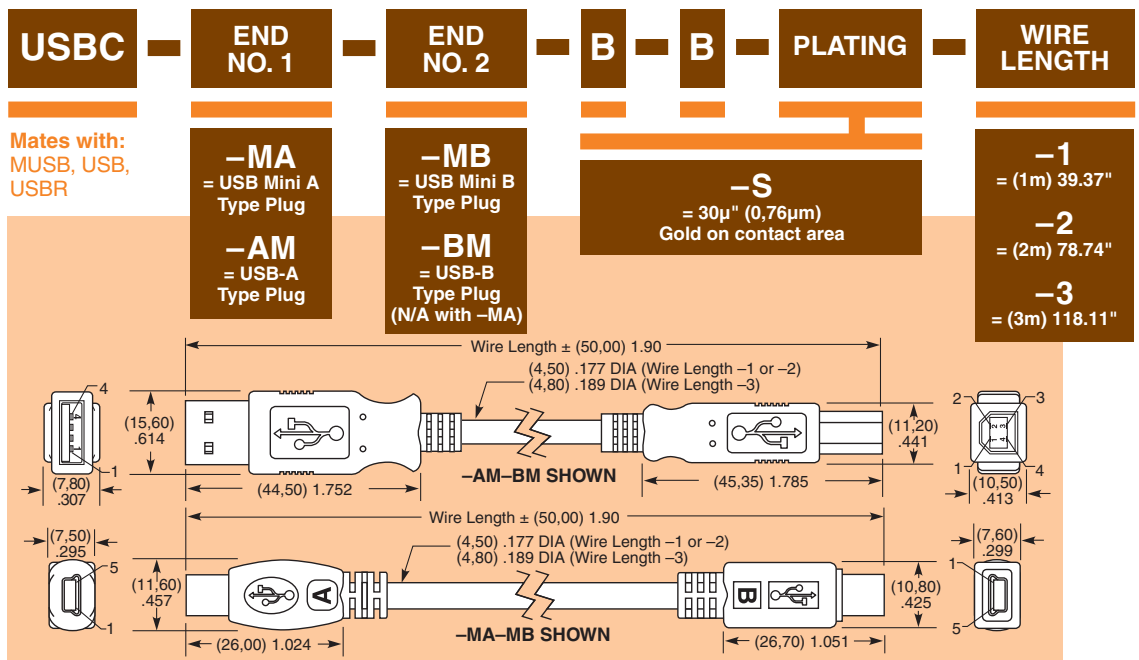
Current Rating: 1.0 A per contact

Voltage Rating: 30 VAC (R.M.S.)

Contact Resistance: 30 mΩ max

Minimum Cycles: 5000

RoHS Compliant: Yes



Due to technical progress, all designs, specifications and components are subject to change without notice.