

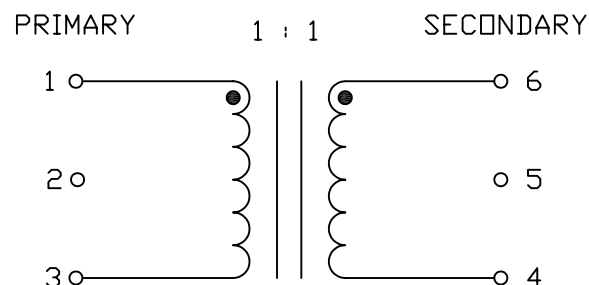
THE INFORMATION CONTAINED HEREIN IS CONSIDERED 'PROPRIETARY' TO BEL FUSE INC. AND SHALL NOT BE COPIED, REPRODUCED OR DISCLOSED WITHOUT THE WRITTEN APPROVAL OF BEL FUSE INC.

RoHS  
2002/95/EC



ELECTRICAL CHARACTERISTICS @ 25°C

SCHEMATIC



URNS RATIO

PRIMARY : SECONDARY

1 : 1

INDUCTANCE

PRIMARY

80μH MIN. @100kHz, L<sub>s</sub>, 100mV

60μH MIN. @1.7MHz, L<sub>p</sub>, 170mV

AT -40°C

40μH MIN. @100kHz, L<sub>s</sub>, 100mV

LEAKAGE INDUCTANCE (L<sub>e</sub>)

PRIMARY (SECONDARY SHORTED)

0.09μH MAX. @1MHz, 100mV

INTERWINDING CAPACITANCE (C<sub>w/w</sub>)

PRIMARY - SECONDARY

10pF MAX. @1MHz, 100mV

DC RESISTANCE

(1-3) = (6-4)

0.25 Ω MAX.

HIPOT

PER HAND-WORK-03

ORIGINATED BY	DATE	TITLE	PART NO. / DRAWING NO.	STANDARD DIM.	[ ] METRIC DIM. AS REFERENCE
CHAN CH	04-20-09	ELECTRICAL SPECIFICATION S554-6500-25-F	X554650025-F	TOL. IN INCH	UNIT : INCH [mm] REV. : A
DRAWN BY	DATE		FILE NAME	.X	SCALE : N/A SIZE : A4
YH Lai	04-20-09		X554650025FA.DWG	.XX	⊕ PAGE : 2
				.XXX	

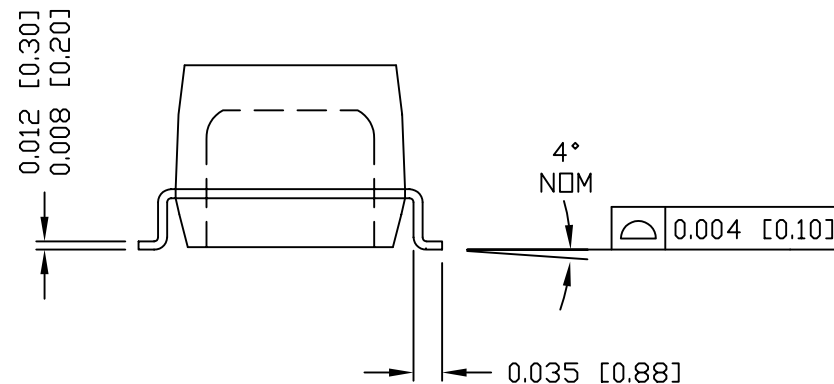
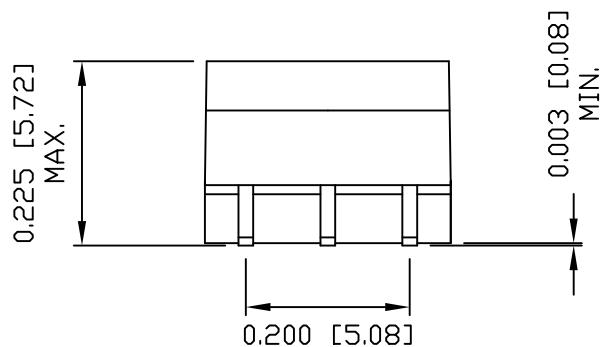
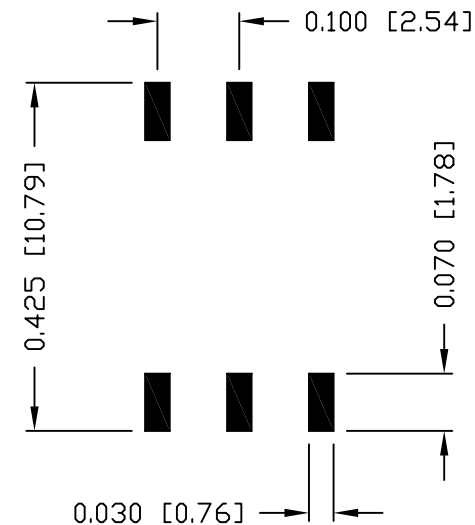
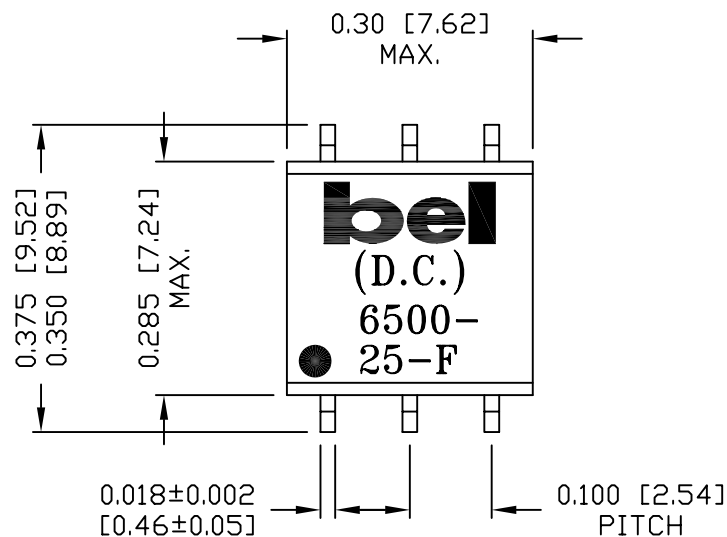


THE INFORMATION CONTAINED HEREIN IS CONSIDERED "PROPRIETARY" TO BEL FUSE INC. AND SHALL NOT BE COPIED, REPRODUCED OR DISCLOSED WITHOUT THE WRITTEN APPROVAL OF BEL FUSE INC.

RoHS  
2002/95/EC



SUGGESTED PCB PAD LAYOUT



NOTES:

1. STANDARD MARKING REFER TO DOC. HAND-WORK-04.
2. PACKAGE CODE: "QAS002".

ORIGINATED BY	DATE	TITLE	PART NO. / DRAWING NO.	STANDARD DIM.		[ ] METRIC DIM. AS REFERENCE	
				TOL.	IN INCH	UNIT : INCH [mm]	REV. : A
Lawrence Tsang	04-20-09	MECHANICAL OUTLINE S554-6500-25-F	X554650025-F	.X		SCALE : N/A	SIZE : A4
DRAWN BY	DATE		FILE NAME	.XX	±0.01		PAGE : 3
YH Lai	04-20-09		X554650025FA.DWG	.XXX	±0.005		

