



ON Semiconductor®

<http://onsemi.com>

LV8019V

Bi-CMOS IC Forward/Reverse Motor Driver

Overview

The LV8019V is a forward/reverse motor driver.

Features

- One H-bridge driver channel
- Provides a constant current output
- Built-in thermal shutdown circuit

Specifications

Maximum Ratings at $T_a = 25^\circ\text{C}$ and $SGND = PGND = 0V$

Parameter	Symbol	Conditions	Ratings	Unit
Output block supply voltage	V_M max		-0.5 to 8.4	V
Control block supply voltage	V_{CC} max		-0.5 to 7.0	V
Constant current output block supply voltage	V_{RG} max		-0.5 to 6.0	V
Maximum output current	I_O max		1.2	A
	I_O peak1	$t \leq 200\text{ms}$, $f = 2\text{Hz}$	3	A
	I_O peak2	$t \leq 10\text{ms}$, $f = 2\text{Hz}$	5	A
Input signal voltage	V_{IN} max		-0.5 to $V_{CC}+0.5$	A
Allowable power dissipation	P_d max	When mounted on a circuit board *1	0.8	W
Operating temperature	T_{opr}		-30 to +85	$^\circ\text{C}$
Storage temperature	T_{stg}		-55 to +150	$^\circ\text{C}$

*1 Specified circuit board : $114.3 \times 76.1 \times 1.6\text{mm}^3$, glass epoxy

Stresses exceeding Maximum Ratings may damage the device. Maximum Ratings are stress ratings only. Functional operation above the Recommended Operating Conditions is not implied. Extended exposure to stresses above the Recommended Operating Conditions may affect device reliability.

LV8019V

Recommended Operating Conditions at $T_a = 25^\circ\text{C}$ and $\text{SGND} = \text{PGND} = 0\text{V}$

Parameter	Symbol	Conditions	Ratings	Unit
Output block supply voltage	V_M		3.0 to 7.4	V
Control block supply voltage	V_{CC}		2.7 to 6.0	V
Constant current output block supply voltage	V_{RGIN}		1.5 to V_{CC}	V
Input signal voltage	V_{IN}		0 to V_{CC}	V
Maximum input signal frequency	f_{max}	Duty = 50%	100	kHz

Electrical Characteristics $T_a = 25^\circ\text{C}$, $V_{CC} = V_M = 5\text{V}$, and $\text{SGND} = \text{PGND} = 0\text{V}$ unless otherwise specified.

Parameter		Symbol	Conditions	Ratings			Unit
				min	typ	max	
Standby mode output block current consumption		IMO	EN = 0V, IN1 = IN2 = ICTRL = 0V			1.0	μA
Control block current consumption	Standby mode	I_{CCO}	EN = 0V, IN1 = IN2 = ICTRL = 0V		0	1.0	μA
	Operation mode	I_{CC}	EN = 5V		0.8	1.3	mA
High-level input voltage		V_{INH}		2.5		V_{CC}	V
Low-level input voltage		V_{INL}		0		0.8	V
High-level input current		I_{INH}				1.0	μA
Low-level input current		I_{INL}		-1.0			μA
High-level EN pin current		I_{ENH}	EN pin	15	25	35	μA
Low-level EN pin current		I_{ENL}	EN pin			1.0	μA
Output on resistance	1	R_{ON1}	$V_M = 5\text{V}$, sink + source		0.45	0.55	Ω
	2	R_{ON2}	$V_M = 3\text{V}$, sink + source		0.60	0.75	Ω
ISET setting resistance		RSET	Between ISET pin and SGND	80			Ω
ISET pin voltage		VISET	$R_{SET} > 80\Omega$	0.90	1.05	1.20	V
CC pin output saturation voltage		VCSAT	$R_{SET} > 150\Omega$ *1			1.5	V
CC pin output leakage current		ICONL	CTRL = 0V			1.0	μA
Low voltage shutdown operation voltage		VLVD	V_{CC} pin voltage detection	2.10	2.35	2.60	V
High-level output turn-on time		TOH	The transition from 10% to 90% of the output amplitude *2		0.1	1.0	μs
Low-level output turn-on time		TOL	The transition from 90% to 10% of the output amplitude *2		0.2	2.0	μs
Thermal shutdown temperature		TSD	*2	150	180		$^\circ\text{C}$
Thermal shutdown hysteresis		ΔTSD	*2		40		$^\circ\text{C}$

*1 : Voltage between CC pin and ISET pin

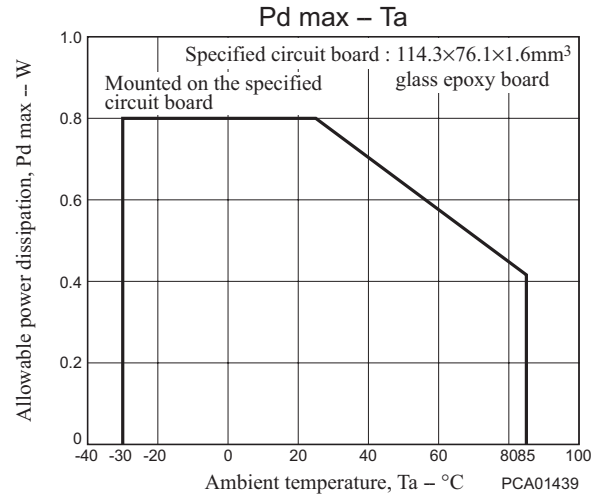
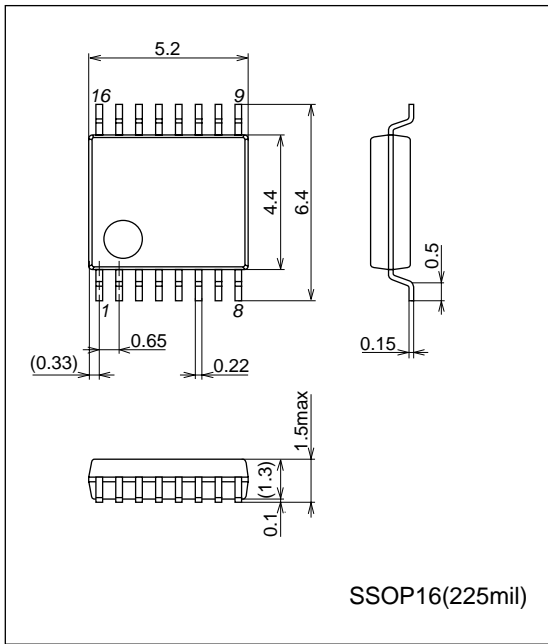
*2 : Design guarantee: These characteristics are not measured.

LV8019V

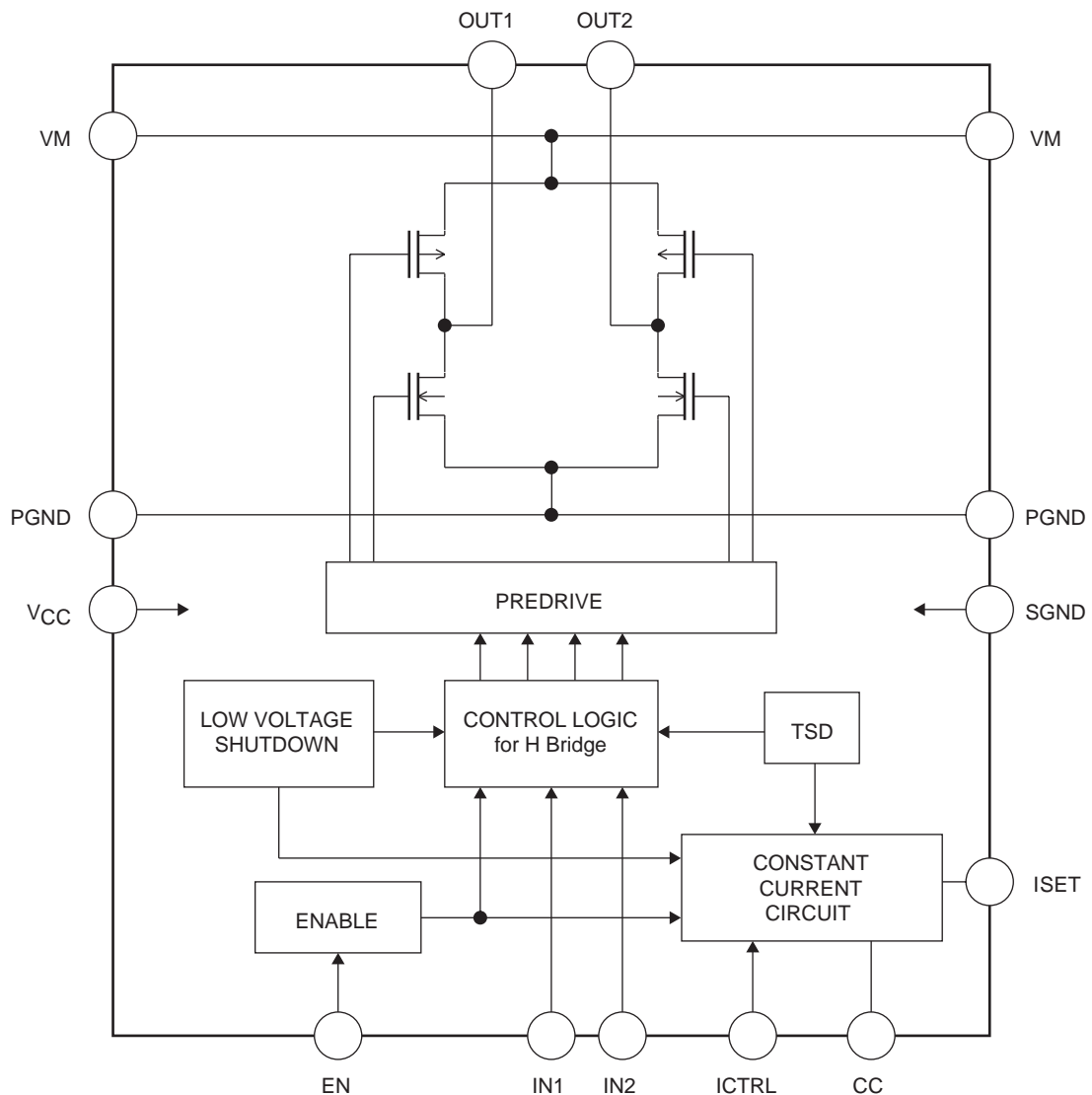
Package Dimensions

unit : mm (typ)

3178B



Block Diagram



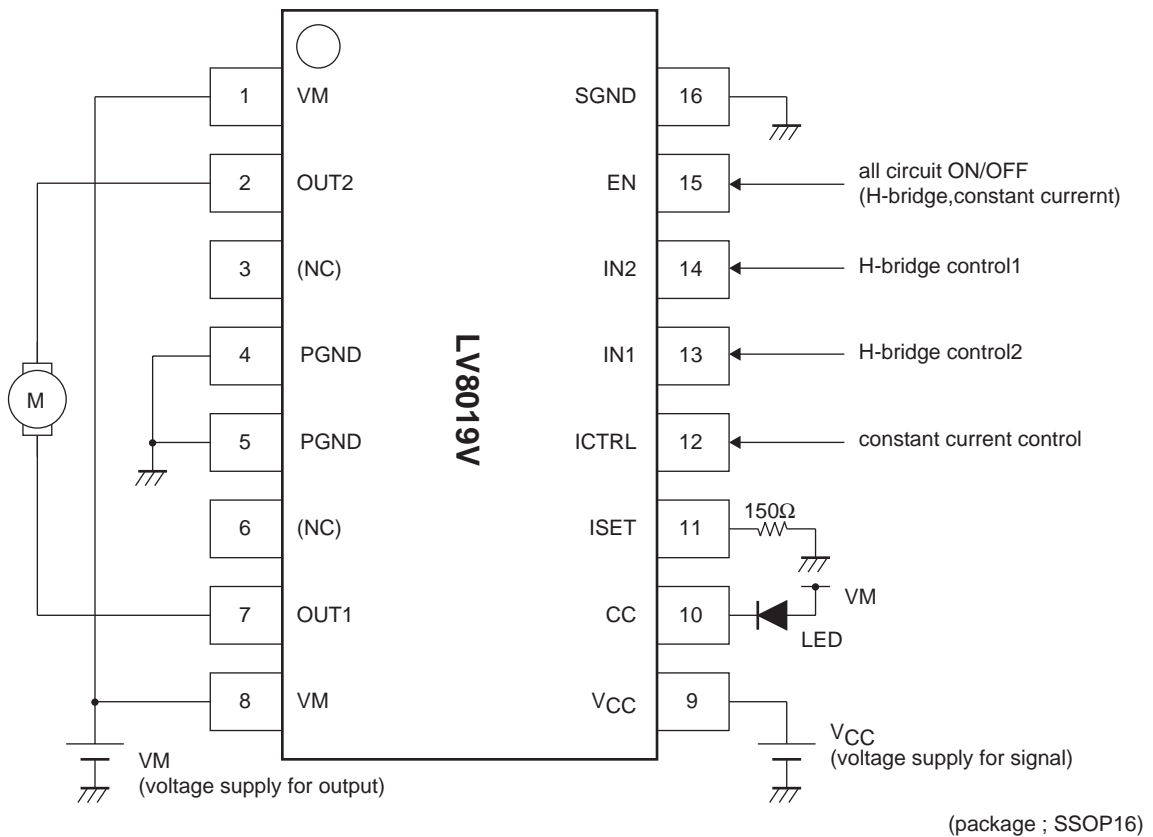
LV8019V

Truth Table

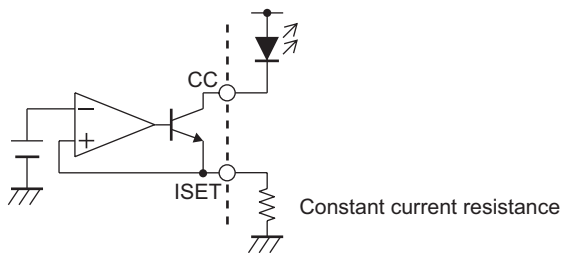
EN	IN1	IN2	ICTRL	OUT1	OUT2	CC	Mode
H	H	H	X	L	L	X	Break
H	H	L	X	H	L	X	Forward
H	L	H	X	L	H	X	Reverse
H	L	L	X	Z	Z	X	Standby
L	X	X	X	L	L	L	Standby
H	X	X	L	X	X	Z	Constant current output off
H	X	X	H	X	X	ON	Constant current output on

H : High level
 L : Low level
 Z : Hi-impedance
 X : Don't care

Pin Assignment and Application Example



Constant current output



LV8019V

Pin Functions

Pin No.	Pin	Description	Equivalent circuit
13 14	IN1 IN2	Logic input 1 Logic input 2 The output is set by the combination of the input 1 and 2 states. See the truth table for details.	
12	ICTRL	Controls the output on/off state of the constant current block.	
15	EN	EN pin. Controls the on/off state of the H-bridge output (OUT1 and OUT2) and the constant current output. See the truth table for details.	
7 2	OUT1 OUT2	Output 1. Output 2. The source side is a p-channel transistor and sink side is an n-channel transistor.	
10 11	CC ISET	Constant current output. Constant current setting. The output current (CC) is set by connecting a resistor between the ISET pin and ground.	
9	V _{CC}	Signal system power supply.	
8	VM	Power system power supply.	
16	SGND	Signal system ground.	
4,5	PGND	Power system ground.	

ON Semiconductor and the ON logo are registered trademarks of Semiconductor Components Industries, LLC (SCILLC). SCILLC owns the rights to a number of patents, trademarks, copyrights, trade secrets, and other intellectual property. A listing of SCILLC's product/patent coverage may be accessed at www.onsemi.com/site/pdf/Patent-Marking.pdf. SCILLC reserves the right to make changes without further notice to any products herein. SCILLC makes no warranty, representation or guarantee regarding the suitability of its products for any particular purpose, nor does SCILLC assume any liability arising out of the application or use of any product or circuit, and specifically disclaims any and all liability, including without limitation special, consequential or incidental damages. "Typical" parameters which may be provided in SCILLC data sheets and/or specifications can and do vary in different applications and actual performance may vary over time. All operating parameters, including "Typicals" must be validated for each customer application by customer's technical experts. SCILLC does not convey any license under its patent rights nor the rights of others. SCILLC products are not designed, intended, or authorized for use as components in systems intended for surgical implant into the body, or other applications intended to support or sustain life, or for any other application in which the failure of the SCILLC product could create a situation where personal injury or death may occur. Should Buyer purchase or use SCILLC products for any such unintended or unauthorized application, Buyer shall indemnify and hold SCILLC and its officers, employees, subsidiaries, affiliates, and distributors harmless against all claims, costs, damages, and expenses, and reasonable attorney fees arising out of, directly or indirectly, any claim of personal injury or death associated with such unintended or unauthorized use, even if such claim alleges that SCILLC was negligent regarding the design or manufacture of the part. SCILLC is an Equal Opportunity/Affirmative Action Employer. This literature is subject to all applicable copyright laws and is not for resale in any manner.