



T1 VARIABLE HEIGHT BIPIN LEDs

DIFFUSED, CLEAR & WATER CLEAR

PART NO: **BP150 TR5H-040**

MODEL	LENS COLOR, BRIGHT	LED COLOR	LEDTRONICS LED USED	ELECTRO-OPTICAL CHARACTERISTICS T _a =25°C I _r =100µA(MAX)				FEATURES
				I _f mA	I _v mcd min/typ	V _f typ/max	λ P nm	
T1 (3mm) DIFFUSED VARIABLE HEIGHT BIPIN LEDs								
BP150	TR6	ULTRA RED	L120TR6N	20	8.7/48	1.8/2.4	660	BP150 HEIGHT ABOVE SURFACE 040 420 050 .535
BP180	TR5D	HI-EFF RED	L120TR5D	20	20/40	1.7/2.2	660	
	TR5H	HI-EFF RED	L120TR5H-LC	2	1.0/1.8	1.8/2.2	635	
	TR4	HI-EFF RED	L120TR4N	10	1.0/5.0	2.0/2.8	635	
	TR2	HI RED	L120TR2N	10	0.5/2.0	2.1/2.9	697	
	TR1	STD RED	L120TR1N	10	0.3/0.8	1.7/2.0	655	
	TO5	PURE ORANGE	L120TO5	20	10/20	2.2/2.5	605	BP180 HEIGHT ABOVE SURFACE 060 640
	TY4	AMBER YELLOW	L120TY4N	10	1.7/5.6	2.1/2.8	585	
	TY5D	AMBER YELLOW	L120TY5D	20	10/20	2.1/2.8	585	
	TY5H	AMBER YELLOW	L120TY5H-LC	2	1.0/1.6	1.9/2.7	583	
	TG4	HI-EFF GREEN	L120TG4N	10	1.7/5.6	2.1/2.8	565	
	TG5D	HI-EFF GREEN	L120TG5D	20	15/30	2.1/2.8	565	
	TG5H	HI-EFF GREEN	L120TG5H-LC	2	1.0/1.6	1.8/2.2	565	
	TPG5	PURE GREEN	L120TPG5	20	4/8	2.1/2.5	555	
	TB4	BLUE	L120TB4	50	/8	2.8/3.7	470	

T1 (3mm) CLEAR VARIABLE HEIGHT BIPIN LEDs

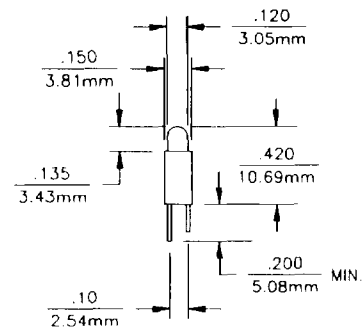
BP150	CWR400	ULTRA RED	L120CWR400	20	/4	1.8/2.2	660	BP150 HEIGHT ABOVE SURFACE 040 420 050 .535
BP180	CWR6N	ULTRA RED	L120CWR6N	20	3.7/20	1.8/2.4	660	
	CR5DN	ULTRA RED	L120CR5DN	20	20/40	1.8/2.2	660	
	CWR5N	HI-EFF RED	L120CWR5N	10	2.5/10	2.0/2.8	635	
	CR4N	HI-EFF RED	L120CR4N	10	4/12.6	2.0/2.8	605	
	CW05	PURE ORANGE	L120CW05	20	16/24	2.2/2.5	605	
	CY5DN	AMBER YELLOW	L120CY5DN	20	20/40	2.1/2.8	585	BP180 HEIGHT ABOVE SURFACE 060 640
	CWY5N	AMBER YELLOW	L120CWY5N	10	5.6/13	2.2/2.8	585	
	CY4N	AMBER YELLOW	L120CY4N	10	4/12.6	2.1/2.8	585	
	CWLY5	LIME YELLOW	L120CWLY5	10	3.5/13	2.2/2.8	565	
	CG5DN	HI-EFF GREEN	L120CG5DN	20	20/40	2.1/2.8	565	
	CWG5N	HI-EFF GREEN	L120CWG5N	20	4/12.6	2.1/2.8	565	
	CG4N	PURE GREEN	L120CG4N	10	4/12.6	2.1/2.8	565	
	CWPG5	PURE GREEN	L120CWPG5	20	10/15	2.1/2.5	555	
	CWB4	BLUE	L120CWB4	50	/8	2.8/3.7	470	

SPECIALS:

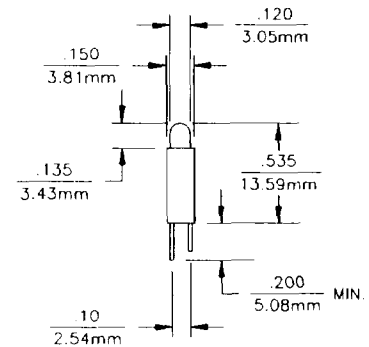
- BIPOLAR LEDs
- BLINKING/FLASHING LEDs
- LOW CURRENT 2mA LEDs
- BICOLOR/TRICOLOR LEDs

T_{opr} = -30°C TO +85°C T_{stg} = 30°C TO +100°C

BP150-040



BP150-050



BP180-060

