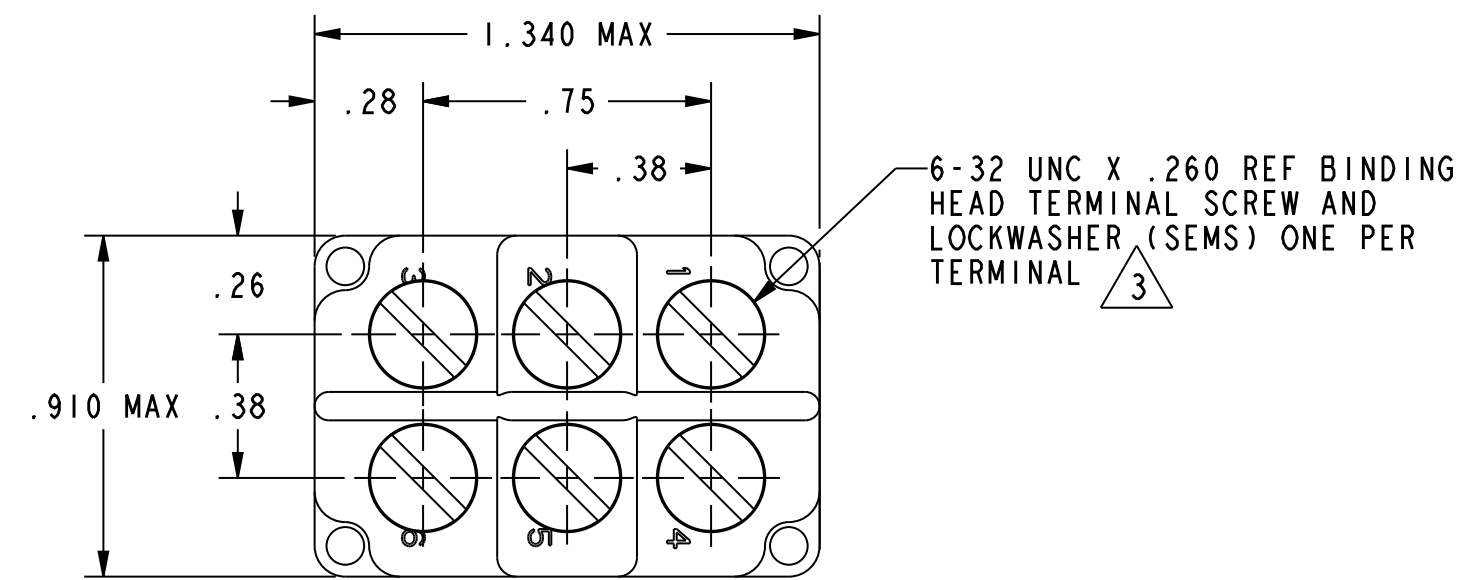
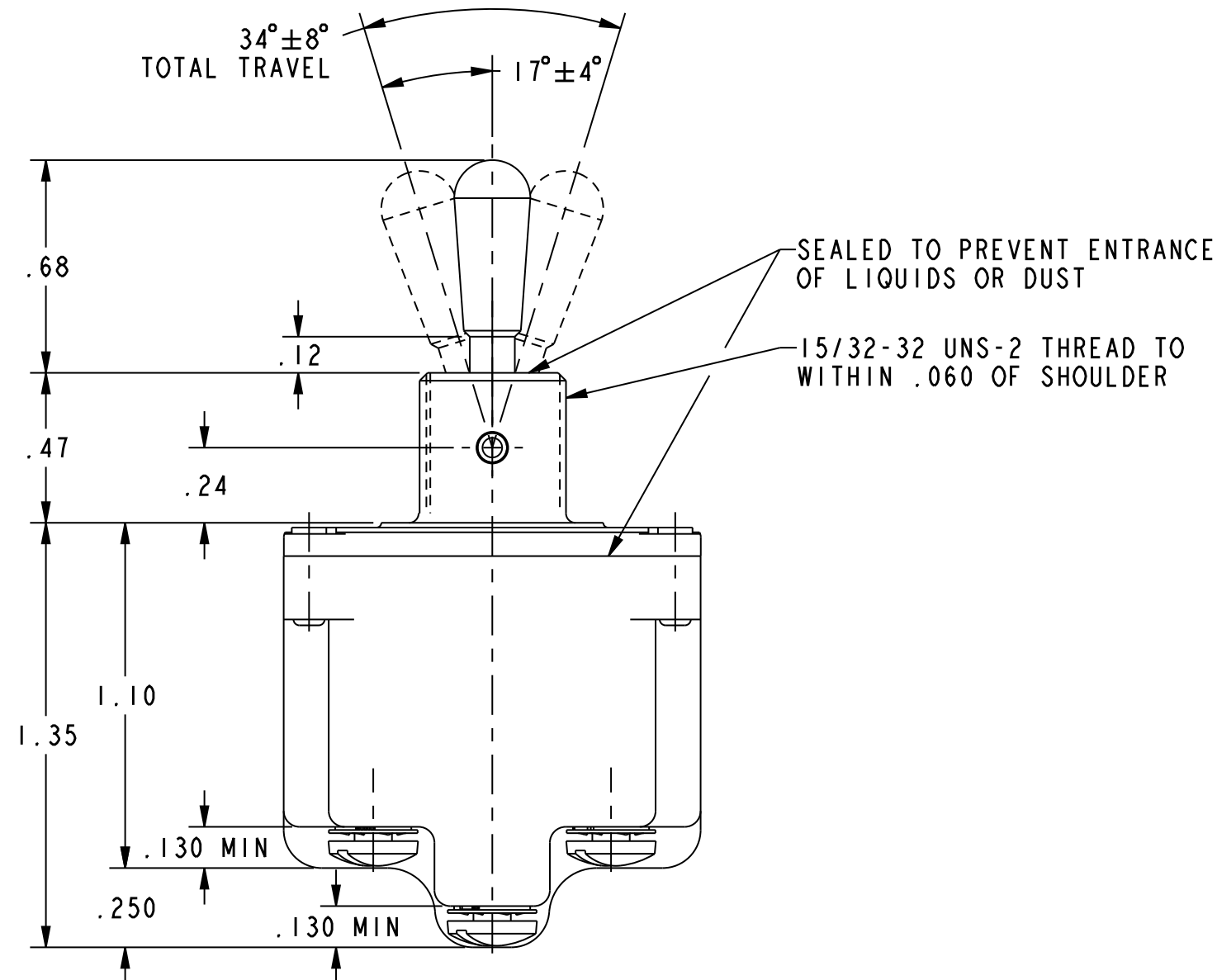
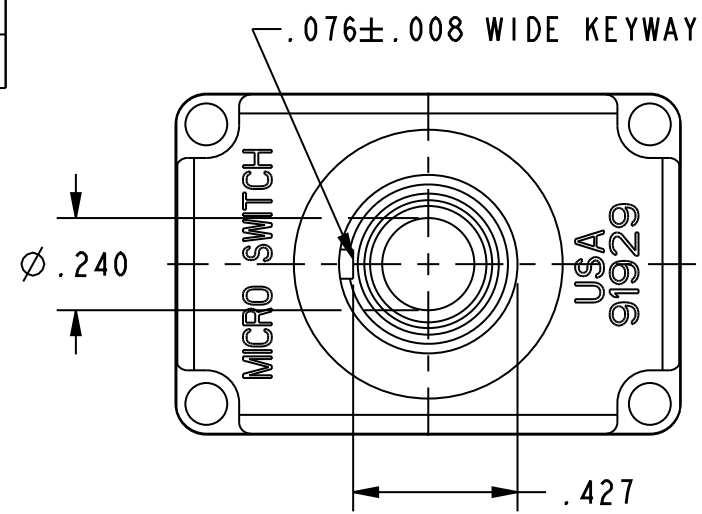


HONEYWELL
PART NUMBER
SEE CHART

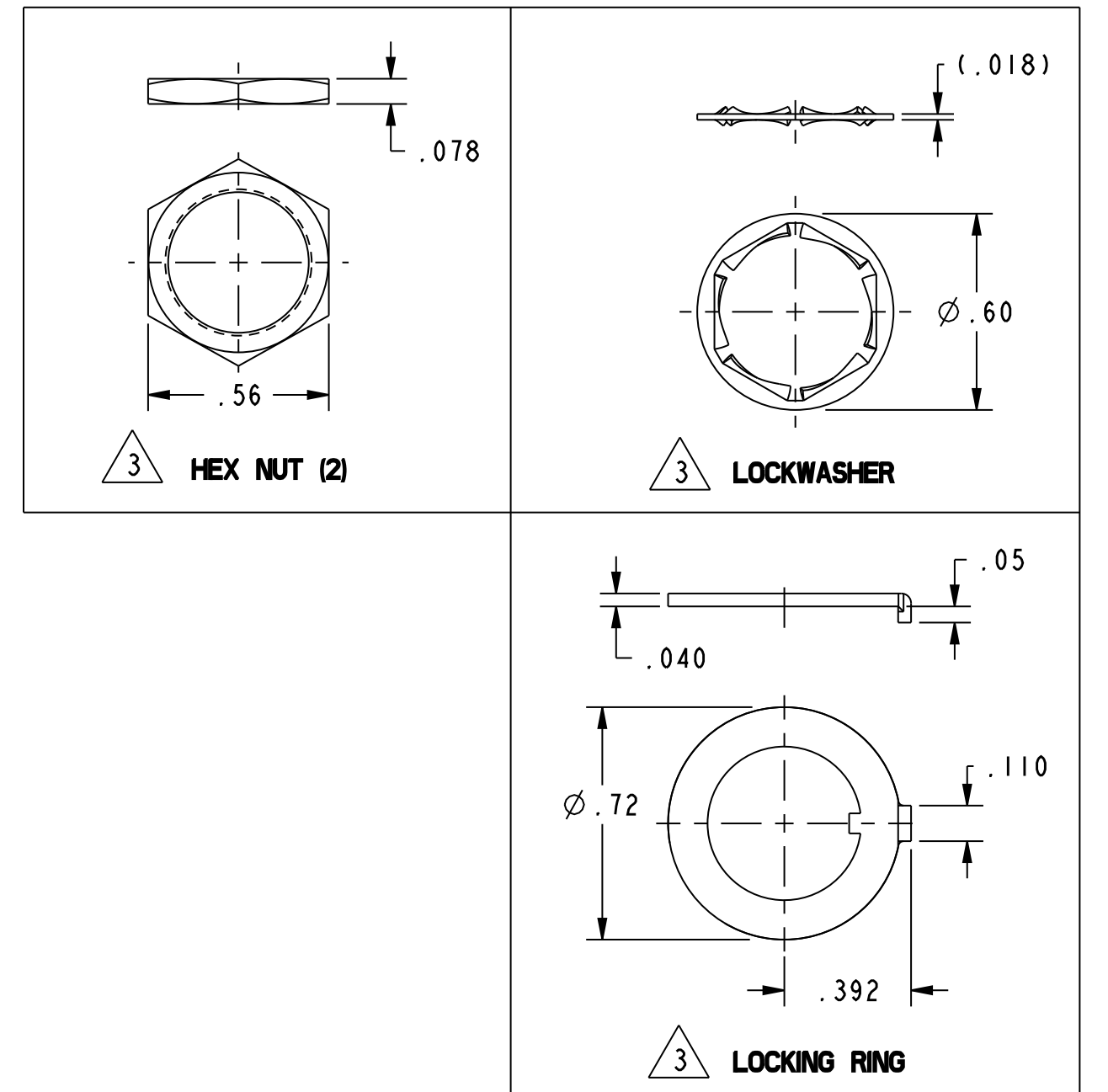
REV	DOCUMENT	CHANGED BY	CHECK
29	0056412	SJK IOSEP09	CMH
REDRAWN WITHOUT CHANGE IN PRO-E			



- NOTES:
- 1 - SWITCHES ARE CAPABLE OF WITHSTANDING A TEMPERATURE OF 160°F CONTINUOUSLY AT FULL RATED LOAD.
 - 2 - CIRCUIT DESIGNATION, MICRO SWITCH CATALOG LISTING AND "MS" NUMBER MARKED ON SIDE OF SWITCH.
 - 3 - FURNISHED UNASSEMBLED.
 - 4 - FOR TERMINAL COVER SEE MICRO SWITCH CATALOG LISTING 5PA8.
 - 5 - APPLIES ONLY TO "ON" AND "MOMENTARY ON" POSITIONS.
 - 6 - THESE SWITCHES ARE QUALIFIED UNDER MIL-S-3950.

15A-125, <u>250</u> OR 277VAC 1/2 HP-125VAC; 1HP- <u>250</u> , 277VAC 5A-125VAC "L" CODE L191	CE UL R
10A-125, <u>250</u> OR 277VAC 1/4HP-125VAC; 1/2HP- <u>250</u> , 277VAC 3A-125VAC "L" CODE L192	CE UL R

MILITARY STANDARD NUMBER	CATALOG LISTING	CIRCUIT MADE WITH TOGGLE LEVER IN			MILITARY RATING (AMPS)								
		KEYWAY SIDE (1-2, 4-5)	CENTER (1-2, 4-5)	OPPOSITE KEYWAY (2-3, 5-6)	RESISTIVE LOAD			LAMP LOAD		INDUCTIVE LOAD			
					DC VOLTS	AC VOLTS		28 VDC	125 VAC	28 VDC	125 VAC		
24524-21	2TLI-1	ON	OFF	ON	20	.75	.5	15	6	7	4	15	15
24524-22	2TLI-2	OFF	NONE	ON									
24524-23	2TLI-3	ON	NONE	ON									
24524-24	2TLI-21	NONE	OFF	ON									
24524-33	2TLI-31	NONE	ON	ON									
24524-29	2TLI-4	MOM OFF	NONE	ON	18	.75	.5	11	6	5	2	10	8
24524-31	2TLI-5	MOM ON	OFF	ON									
24524-30	2TLI-6	MOM ON	NONE	OFF									
24524-27	2TLI-7	MOM ON	OFF	MOM ON									
24524-26	2TLI-8	MOM ON	NONE	ON									
24524-32	2TLI-51	NONE	ON	MOM ON									
24524-28	2TLI-61	MOM ON	OFF	NONE									



DESIGN UNITS: INCH TOLERANCES UNLESS NOTED:	DRAWN: JJA 27FEB96 CHECK: JJA 27FEB96	Honeywell		
NO PLACES .x ± .03 ONE PLACE .xx ± .015 TWO PLACE .xxx ± .005 THREE PLACE .xxx ± .005 ANGLES x ± .	THIS DRAWING COVERS A PROPRIETARY ITEM AND IS THE PROPERTY OF HONEYWELL. THIS DRAWING IS NOT TO BE COPIED OR USED WITHOUT THE PERMISSION OF HONEYWELL.			TITLE: SWITCH - TOGGLE
THIRD ANGLE PROJECTION	INTERPRET PER ASME Y14.5M-1994 OTHER HONEYWELL ENGINEERING STANDARDS MAY APPLY	SIZE: C TYPE: I CAGE CODE: -	DRAWING NAME: 2TL1 SERIES CHART 1 29	REV: 29
	Pro/ENGINEER 3D	SCALE: 2:1	WEIGHT: .12 LB. APPROX.	SHEET: 1 OF 1